

GENERAL DESCRIPTION

The XRK697H73 is a PLL based LVCMOS Clock Generator targeted for high performance and low skew clock distribution applications. The XRK697H73 can select between one of three reference inputs and provides 14 LVCMOS outputs -12 outputs (3 banks of 4) for clock distribution, 1 for feedback and 1 for synchronization.

The XRK697H73 is a highly flexible device. It has 3 selectable inputs, (one differential and two single-ended inputs) to support system clock redundancy. Up to three different clock frequencies can be generated and outputted on the three output banks. Switching the internal reference clock is controlled by the control input, CLK_SEL.

The XRK697H73 uses PLL technology to frequency lock its outputs to the input reference clock. The divider in the feedback path will determine the frequency of the VCO. Each of the separate output banks can individually divide down the VCO output frequency. This allows the XRK697H73 to generate a multitude of different bank frequency ratios and output-to-input frequency ratios.

The outputs of the XRK697H73 can individually be immobilized, in the low state, by use of the clock stop feature. All outputs except QC0 and QFB can be immobilized through a 2 pin serial interface. Global output disabling and reset can be achieved the control input MR/OE.

The XRK697H73 also has a QSYNC output which can be used for system synchronization purposes. It monitors Bank A and Bank C outputs and goes low one period of the

faster clock prior to coincident rising edges of Bank A and Bank C clocks. QSYNC then goes high again when the coincident rising edges of Bank A and Bank C occur. This feature is used primarily in applications where Bank A and Bank C are running at different frequencies, and is particularly useful when they are running at non-integer multiples of one another.

The XRK697H73 has an output frequency range of 8.33MHz to 240MHz and an input frequency range of 5MHz to 120MHz.

FEATURES

- Fully Integrated PLL
- Selectable Differential PECL or LVCMOS inputs for reference clock source
- 14 LVCMOS outputs
 - 3 banks with 4 outputs each. Frequencies can be individually controlled by bank
 - 1 dedicated feedback with frequency control
 - 1 Sync
- VCO Range 200MHz to 480MHz
- Output freq. range: 8.33MHz to 240MHz
- Max Output Skew of 250ps
- Cycle-to-cycle jitter: 150ps (typ)

APPLICATIONS

- System Clock generator
- Zero Delay Buffer

PRODUCT ORDERING INFORMATION

PRODUCT NUMBER	PACKAGE TYPE	OPERATING TEMPERATURE RANGE
XRK697H73CR	52-LEAD LQFP	0°C to +70°C
XRK697H73IR	52-LEAD LQFP	-40°C to +85°C

1:12 LVCMOS PLL CLOCK GENERATOR

FIGURE 1. BLOCK DIAGRAM OF THE XRK697H73

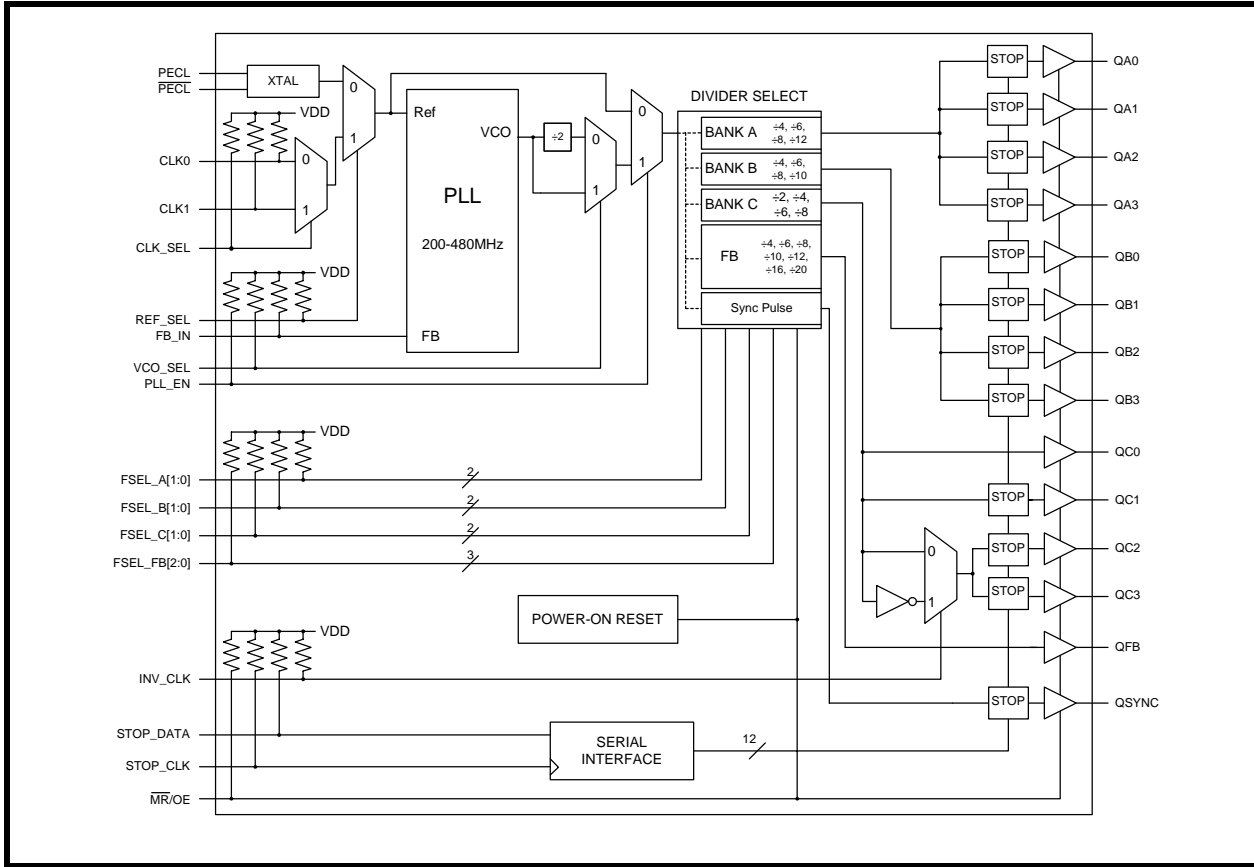
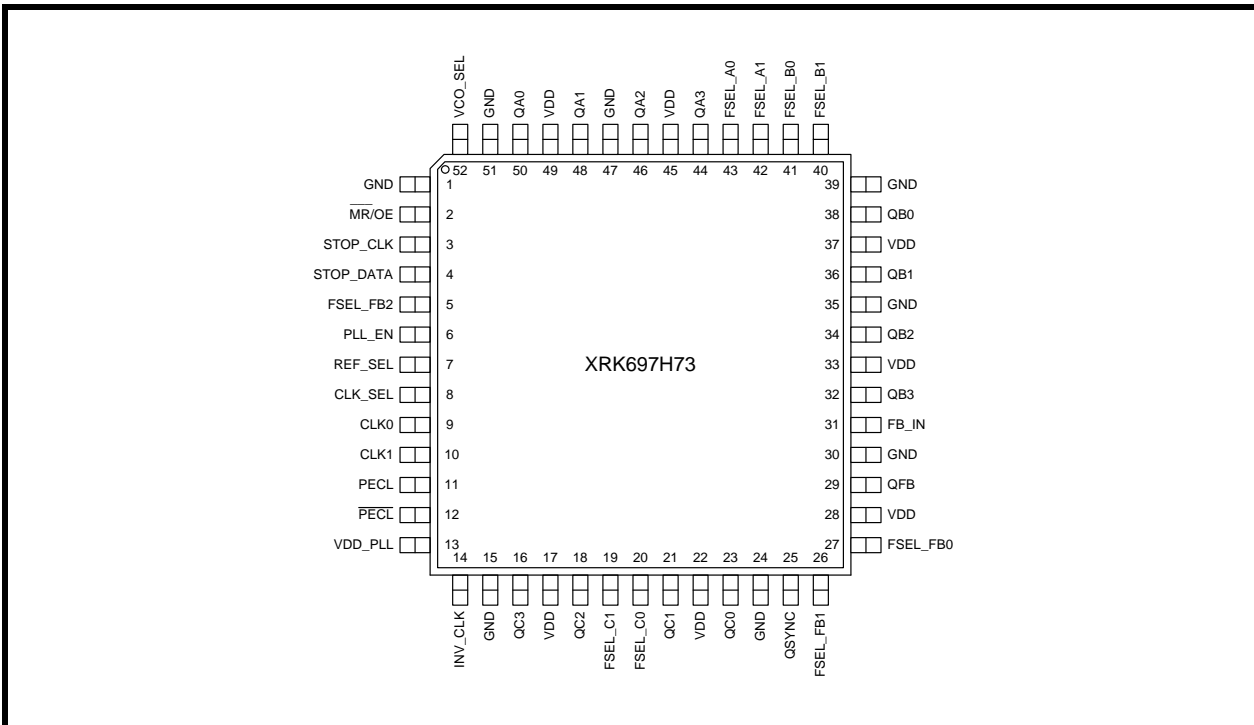


FIGURE 2. PIN OUT OF THE XRK697H73



PIN DESCRIPTIONS

PIN #	NAME	TYPE	DESCRIPTION
1, 15, 24, 30, 35, 39, 47, 51	GND	POWER	Power supply ground
2	$\overline{\text{MR/OE}}$	INPUT*	Master reset and output enable. High = output enabled, Low = device reset & outputs tri-stated
3	STOP_CLK	INPUT*	Clock input for serial control.
4	STOP_DATA	INPUT*	Data input for serial control
5, 26, 27	FSEL_FB[2:0]	INPUT*	Select inputs for control of feedback divide value.
6	PLL_EN	INPUT*	PLL bypass. High = PLL, Low = PLL bypass
7	REF_SEL	INPUT*	Xtal or CLK select. High = Xtal input selected, Low = CLK0 or CLK1 selected
8	CLK_SEL	INPUT*	CLK0 or CLK1 Select. High = CLK1 selected, Low = CLK0 selected
9	CLK0	INPUT*	PLL Reference Clock Inputs
10	CLK1	INPUT*	
11	PECL	INPUT	Differential LVPECL Clock Input
12	$\overline{\text{PECL}}$		
13	VDD_PLL	POWER	Analog supply for PLL
14	INV_CLK	INPUT*	Invert clock select for QC3 & QC2. High = invert, Low = normal operation
17, 22, 28, 33, 37, 45, 49	VDD	POWER	Power supply for outputs.
19, 20	FSEL_C[1:0]	INPUT*	Bank C divide select pins.
25	QSYNC	OUTPUT	Synchronization output for Bank A and Bank C.
29	QFB	OUTPUT	Feedback clock output
31	FB_IN	INPUT*	Feedback input
32, 34, 36, 38	QB[3:0]	OUTPUT	Clock outputs (Bank B)
40, 41	FSEL_B[1:0]	INPUT*	Bank B divide select pins.
42, 43	FSEL_A[1:0]	INPUT*	Bank A divide select pins.
44, 46, 48, 50	QA[3:0]	OUTPUT	Clock outputs (Bank A)
52	VCO_SEL	INPUT*	VCO select. High = VCO/1, Low = VCO/2.

* 25K Ω pull-up resistor

1:12 LVCMOS PLL CLOCK GENERATOR

1.0 ELECTRICAL SPECIFICATIONS

TABLE 1: GENERAL SPECIFICATIONS

SYMBOL	CHARACTERISTICS	CONDITION	MIN	TYP	MAX	UNIT
V_{TT}	Output Termination Voltage			$V_{DD} \div 2$		V
ESD_{MM}	ESD Protection (Machine model)		200			V
ESD_{HBM}	ESD Protection (Human body model)		2000			V
LU	Latch-up Immunity		200			mA
C_{IN}	Input capacitance	per input		4		pf

TABLE 2: ABSOLUTE MAXIMUM RATINGS

SYMBOL	CHARACTERISTICS	CONDITION	MIN	TYP	MAX	UNIT
V_{DD}	Supply Voltage		-0.3		3.9	V
V_{IN}	DC Input Voltage		-0.3		$V_{DD} + 0.3$	V
V_{OUT}	DC Output Voltage		-0.3		$V_{DD} + 0.3$	V
I_{IN}	DC Input Current				+/-20	mA
I_{OUT}	DC Output Current				+/-50	mA
T_S	Storage Temperature		-65		125	°C

TABLE 3: DC CHARACTERISTICS ($V_{DD} = 3.3V \pm 5\%$)

SYMBOL	CHARACTERISTICS	CONDITION	MIN	TYP	MAX	UNIT
V_{DD_PLL}	PLL Supply Voltage		3.0		V_{DD}	V
V_{IH}	Input High Voltage		2.0		$V_{DD} + 0.3$	V
V_{IL}	Input Low Voltage				0.8	V
V_{PP}	Peak to Peak Input Voltage PECL and \overline{PECL}	LVPECL	250			mV
V_{CMR}	Common Mode Range PECL and \overline{PECL}	LVPECL	1.0		$V_{DD} - 0.6$	V
V_{OH}	Output High Voltage	$I_{OH} = -24mA$	2.4			V
V_{OL}	Output Low Voltage	$I_{OL} = 24mA$ $I_{OL} = 12mA$			0.55 0.30	V
Z_{OUT}	Output Impedance			8-11		Ω
I_{PU}	Input Current	$V_{IN} = GND$ or V_{DD}	-100		200	μA
I_{DD_PLL}	PLL Supply Current	@ V_{DD_PLL} Pin		8	13.5	mA
I_{DDQ}	Quiescent Supply Current				35	mA

TABLE 4: AC CHARACTERISTICS ($V_{DD} = 3.3V \pm 5\%$)

SYMBOL	CHARACTERISTICS	CONDITION	MIN	TYP	MAX	UNIT
f_{REF}	Input reference frequency ^a	÷4 feedback	50.0		120	MHz
		÷6 feedback	33.3		80.0	MHz
		÷8 feedback	25.0		60.0	MHz
		÷10 feedback	20.0		48.0	MHz
		÷12 feedback	16.6		40.0	MHz
		÷16 feedback	12.5		30.0	MHz
		÷20 feedback	10.0		24.0	MHz
		÷24 feedback	8.33		20.0	MHz
		÷32 feedback	6.25		15.0	MHz
		÷40 feedback	5.00		12.0	MHz
	PLL bypass mode			250	MHz	
f_{VCO}	VCO frequency range		200		480	MHz
f_{MAX}	Output frequency ^a	÷2 output	100.0		240.0	MHz
		÷4 output	50.0		120.0	MHz
		÷6 output	33.3		80.0	MHz
		÷8 output	25.0		60.0	MHz
		÷10 output	20.0		48.0	MHz
		÷12 output	16.6		40.0	MHz
		÷16 output	12.5		30.0	MHz
		÷20 output	10.0		24.0	MHz
		÷24 output	8.33		20.0	MHz
f_{STOP_CLK}	Serial interface frequency				20.0	MHz
V_{PP}	Peak to Peak Input Voltage PECL and PECL	LVPECL	400		1000	mV
V_{CMR}	Common Mode Range PECL and PECL	LVPECL	1.2		$V_{DD} - 0.9$	V
t_{PW}	CLKx pulse width		2.0			ns
t_{tR}, t_{tF}	Input CLKx Rise/Fall time	0.8V to 2.0V			1	ns
$t_{(\phi)}$	Propagation Delay (static phase offset) CLKx to FB_IN ^b	$6.25MHz < f_{REF} < 65.0MHz$	-3		+3	°
		$65.0MHz < f_{REF} < 125MHz$	-4		+4	°
		$f_{REF} = 50MHz \& FB = \div 8$	-166		+166	ps
$t_{SK(O)}$	Output to output skew	Bank A (QAx to QAy)			100	ps
		Bank B (QBx to QBy)			100	ps
		Bank C (QCx to QCy)			100	ps
		all outputs (QXy to QWz) ^c			250	ps
DC	Output duty cycle ^d		$(T \div 2) - 200$	$T \div 2$	$(T \div 2) + 200$	ps
O_{tR}, O_{tF}	Output Rise/Fall time	0.55 to 2.4V	0.1		1.0	ns

1:12 LVCMOS PLL CLOCK GENERATOR

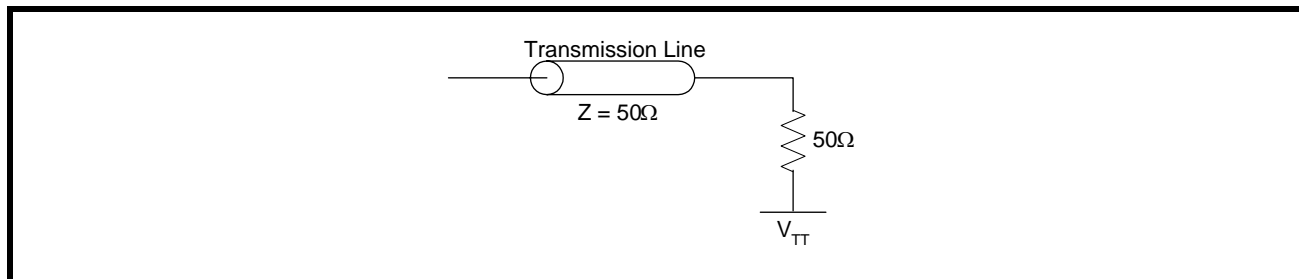
TABLE 5: AC CHARACTERISTICS (CON'T) (V_{DD} = 3.3V +/- 5%)

SYMBOL	CHARACTERISTICS	CONDITION	MIN	TYP	MAX	UNIT
t _{PLZ} , t _{PHZ}	Output Disable Time				8	ns
t _{PZL} , t _{PZH}	Output Enable Time				8	ns
t _{JIT(CC)}	Cycle-to-Cycle Jitter	All outputs in same divider config.		150	200	ps
t _{JIT(PER)}	Period Jitter	All outputs in same divider config.			150	ps
t _{JIT(∅)}	I/O Phase Jitter RMS (1 σ) VCO = 400MHz	÷4 feedback ÷6 feedback ÷8 feedback ÷10 feedback ÷12 feedback ÷16 feedback ÷20 feedback ÷24 feedback ÷32 feedback ÷40 feedback			11 86 13 88 16 19 21 22 27 30	ps ps ps ps ps ps ps ps ps ps
BW	PLL closed loop bandwidth	÷4 feedback ÷6 feedback ÷8 feedback ÷10 feedback ÷12 feedback ÷16 feedback ÷20 feedback ÷24 feedback ÷32 feedback ÷40 feedback		1.20-3.5 0.70-2.50 0.50-1.80 0.45-1.20 0.30-1.00 0.25-0.70 0.20-0.55 0.17-0.40 0.12-0.30 0.11-0.28		MHz MHz MHz MHz MHz MHz MHz MHz MHz MHz
t _{LOCK}	PLL Lock Time				10	ms

NOTES:

- a. PLL locked, except when configured in bypass mode.
- b. $t_{\emptyset}[s] = t_{\emptyset}[^{\circ}] \div (\text{fref} \times 360^{\circ})$
- c. Not including Qsync output
- d. T is the output period.

FIGURE 3. TEST LOAD



2.0 CONFIGURATION TABLES

TABLE 6: FUNCTION CONTROLS

CONTROL PIN	Logic 0	Logic 1
MR/OE	Resets the output divide circuitry and serial interface, tri-states all outputs	Enables all outputs - normal operation
PLL_EN	PLL bypass mode enabled. This is a test mode in which the reference clock is provided to the output dividers in place of the VCO.	PLL enabled - normal operation
REF_SEL	CLKx selected as ref source to PLL	PECL & PECL inputs selected as ref source to PLL
CLK_SEL	CLK0 selected	CLK1 selected
INV_CLK	QC2 & QC3 are in phase with QC1 & QC4	QC2 & QC3 are 180° out of phase with QC1 & QC4
VCO_SEL	VCO ÷ 2	no divide of VCO

TABLE 7: BANK OUTPUT DIVIDER CONTROLS

INPUT		OUTPUT	INPUT		OUTPUT	INPUT		OUTPUT
FSEL_A1	FSEL_A0	QA	FSEL_B1	FSEL_B0	QB	FSEL_C1	FSEL_C0	QC
0	0	÷4	0	0	÷4	0	0	÷2
0	1	÷6	0	1	÷6	0	1	÷4
1	0	÷8	1	0	÷8	1	0	÷6
1	1	÷12	1	1	÷10	1	1	÷8

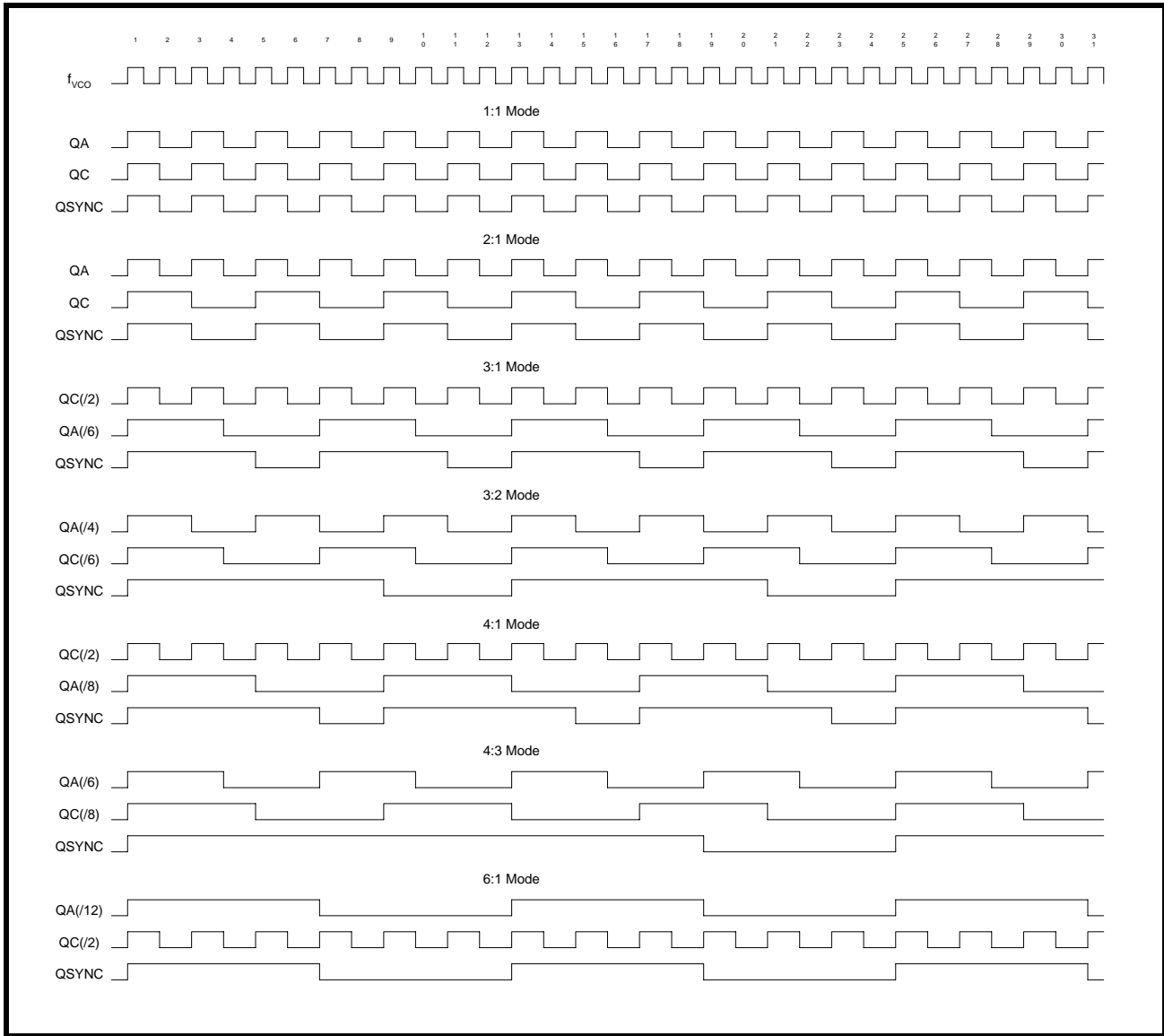
TABLE 8: FEEDBACK DIVIDER CONTROL

FSEL_FB2	FSEL_FB1	FSEL_FB0	QFB
0	0	0	÷4
0	0	1	÷6
0	1	0	÷8
0	1	1	÷10
1	0	0	÷8
1	0	1	÷12
1	1	0	÷16
1	1	1	÷20

1:12 LVCMOS PLL CLOCK GENERATOR

3.0 QSYNC TIMING

FIGURE 4. QSYNC TIMING DIAGRAM



XRK697H73 INDIVIDUAL OUTPUT DISABLE (STOP CLOCK) CIRCUITRY

The user can write to the serial input register through the STOP_DATA input by supplying a logic '0' start bit followed serially by 12 NRZ disable/enable bits. The period of each STOP_DATA bit equals the period of the free-running STOP_CLK signal. The STOP_DATA serial transmission should be timed so the XRK697H73 can sample each STOP_DATA bit with the rising edge of the free-running STOP_CLK signal. A logic "0" to any stop bit location will disable the corresponding device output while a logic "1" will enable. All outputs are by default, enabled.

FIGURE 5. STOP CLOCK CIRCUIT PROGRAMMING

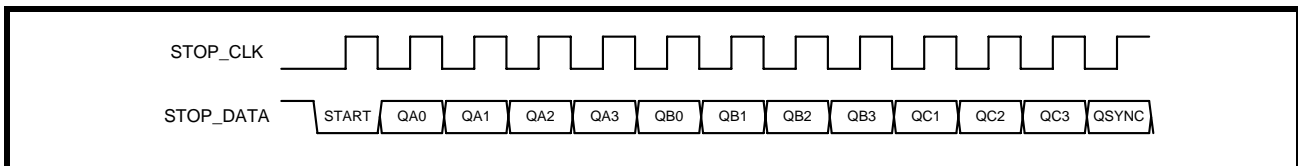


FIGURE 6. OUTPUT-TO-OUTPUT SKEW $t_{SK(O)}$

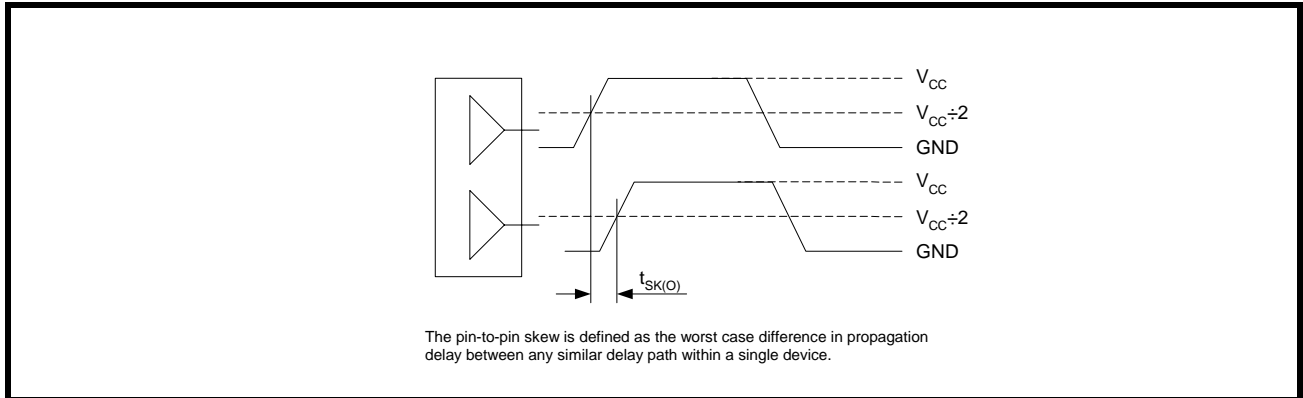


FIGURE 7. PROPOGATION DELAY ($t_{(\emptyset)}$, STATIC PHASE OFFSET) TEST REFERENCE

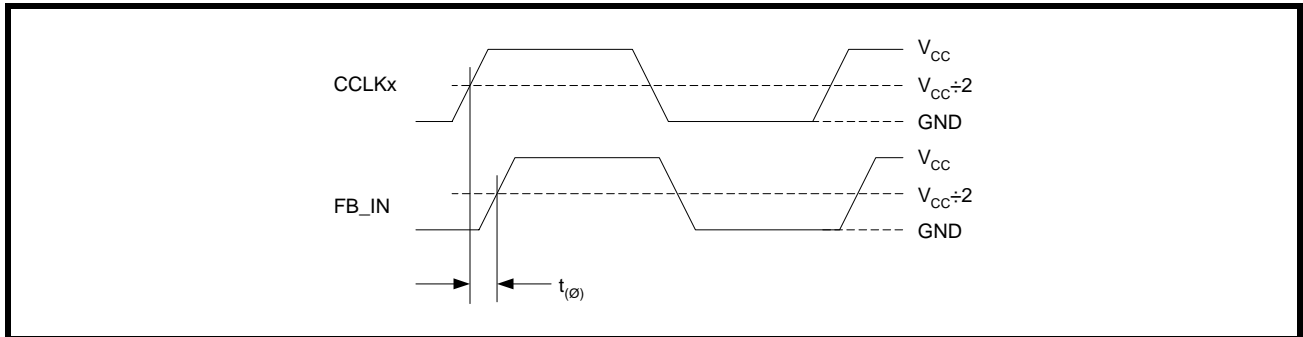


FIGURE 8. OUTPUT DUTY CYCLE (DC)

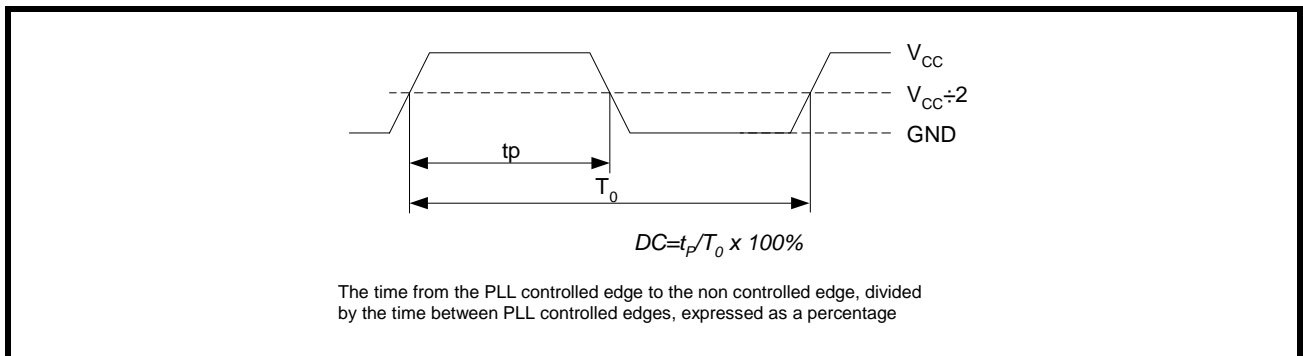


FIGURE 9. I/O JITTER

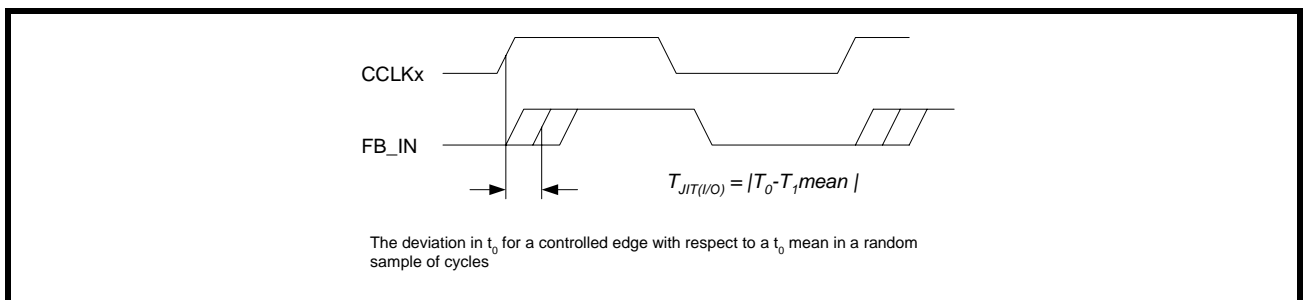


FIGURE 10. CYCLE-TO-CYCLE JITTER

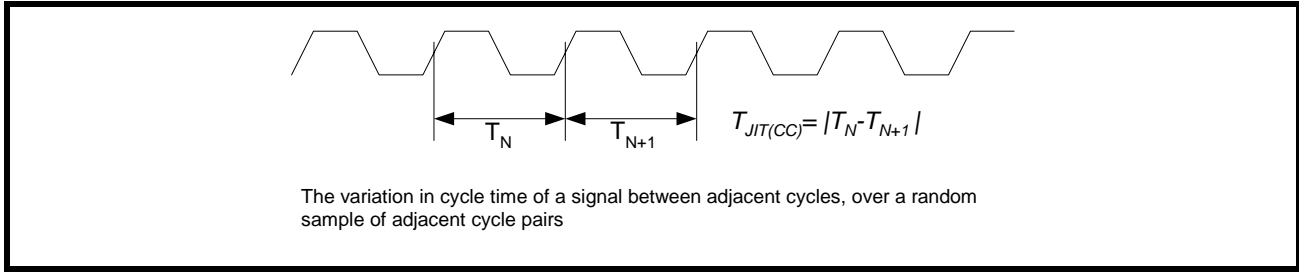


FIGURE 11. PERIOD JITTER

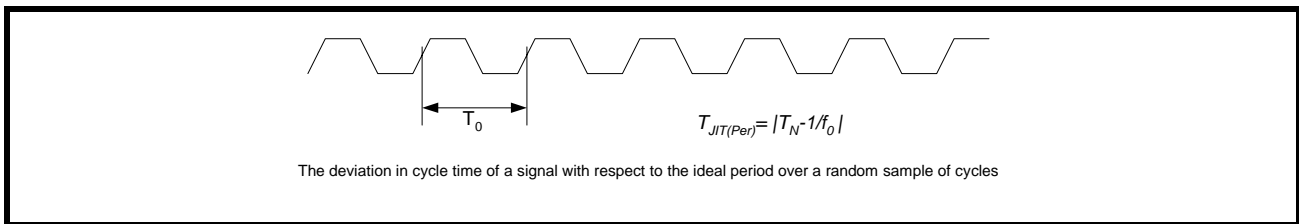
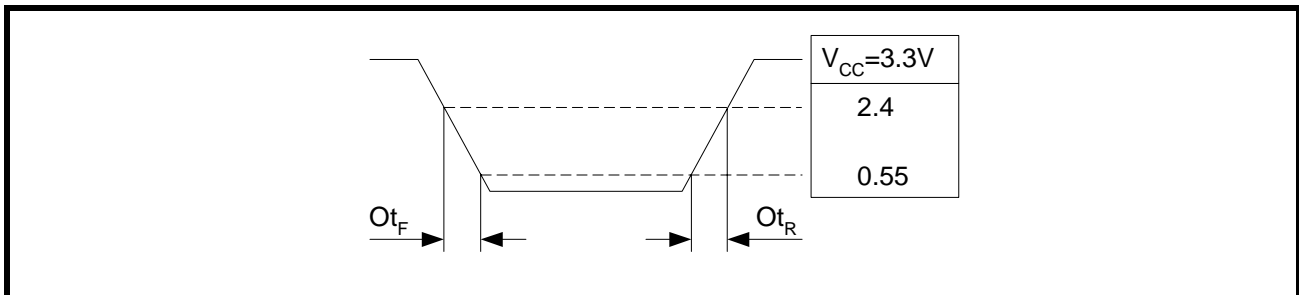


FIGURE 12. OUTPUT TRANSITION TIME TEST REFERENCE



PACKAGE DIMENSIONS

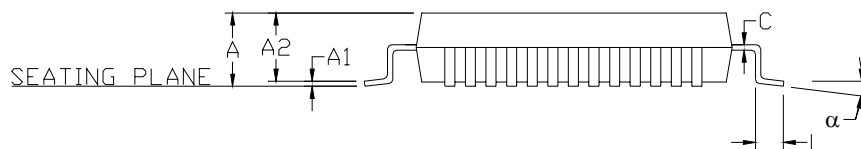
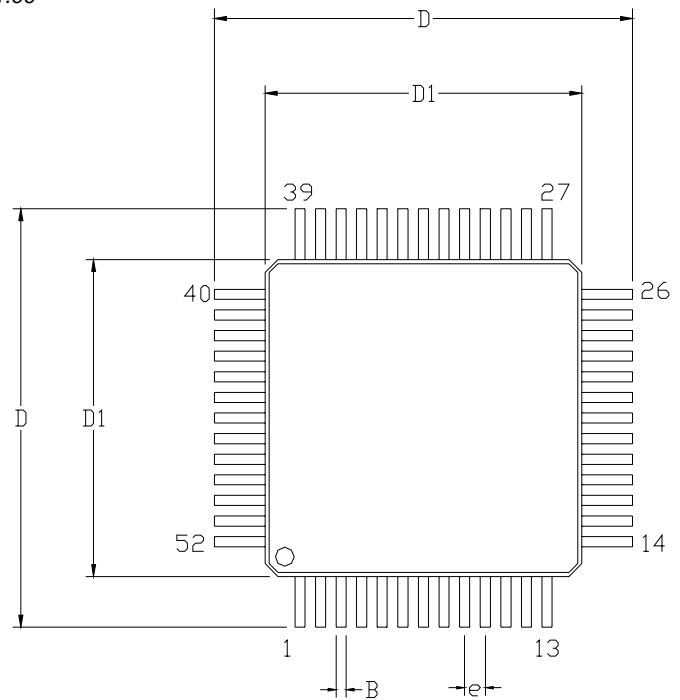
E

52 LEAD LOW-PROFILE QUAD FLAT PACK
(10 mm x 10 mm X 1.4 mm LQFP, 1.0 mm Form)

Rev. 1.00

Note: The control dimension is in millimeters.

SYMBOL	INCHES		MILLIMETERS	
	MIN	MAX	MIN	MAX
A	0.055	0.063	1.40	1.60
A1	0.002	0.006	0.05	0.15
A2	0.053	0.057	1.35	1.45
B	0.010	0.014	0.25	0.35
C	0.004	0.009	0.11	0.23
D	0.465	0.480	11.80	12.20
D1	0.390	0.398	9.90	10.10
e	0.0256 BSC		0.65 BSC	
L	0.029	0.041	0.73	1.03
α	0°	7°	0°	7°



1:12 LVCMOS PLL CLOCK GENERATOR

REVISION HISTORY

REVISION #	DATE	DESCRIPTION
P1.0.0	April 7, 2006	Initial release.

NOTICE

EXAR Corporation reserves the right to make changes to the products contained in this publication in order to improve design, performance or reliability. EXAR Corporation assumes no responsibility for the use of any circuits described herein, conveys no license under any patent or other right, and makes no representation that the circuits are free of patent infringement. Charts and schedules contained here in are only for illustration purposes and may vary depending upon a user’s specific application. While the information in this publication has been carefully checked; no responsibility, however, is assumed for inaccuracies.

EXAR Corporation does not recommend the use of any of its products in life support applications where the failure or malfunction of the product can reasonably be expected to cause failure of the life support system or to significantly affect its safety or effectiveness. Products are not authorized for use in such applications unless EXAR Corporation receives, in writing, assurances to its satisfaction that: (a) the risk of injury or damage has been minimized; (b) the user assumes all such risks; (c) potential liability of EXAR Corporation is adequately protected under the circumstances.

Copyright 2006 EXAR Corporation

Datasheet April 2006.

Reproduction, in part or whole, without the prior written consent of EXAR Corporation is prohibited.