



### GENERAL DESCRIPTION

The XRP29302 is a 3A, highly accurate voltage regulator with a low dropout voltage of 600mV (typical) at 3A.

This regulator is specifically designed for low voltage applications that require a low dropout voltage and a fast transient response. It is fully fault protected against over-current, reverse battery, and positive and negative voltage transients. On-Chip trimming adjusts the reference voltage to 1% initial accuracy.

The XRP29302 is offered in 5-pin TO-220 & TO-263 packages.

### APPLICATIONS

- **Adjustable Power Supplies**
- **Constant Current Regulators**
- **Audio and Video/Graphic Cards**
- **Battery Chargers**

### FEATURES

- **3A Guaranteed Output Current**
- **Low Dropout Voltage of 600mV @ 3A**
- **Adjustable Output down to 1.25V**
- **1% Output Accuracy**
- **Tight Load and Line Regulation**
- **Fast Transient Response**
- **Reverse Battery Protection**
- **Zero Current Shutdown**
- **Drop-in Replacement to SPX29302**
- **Lead Free 5-pin TO220 and TO263 Packages**

### TYPICAL APPLICATION DIAGRAM

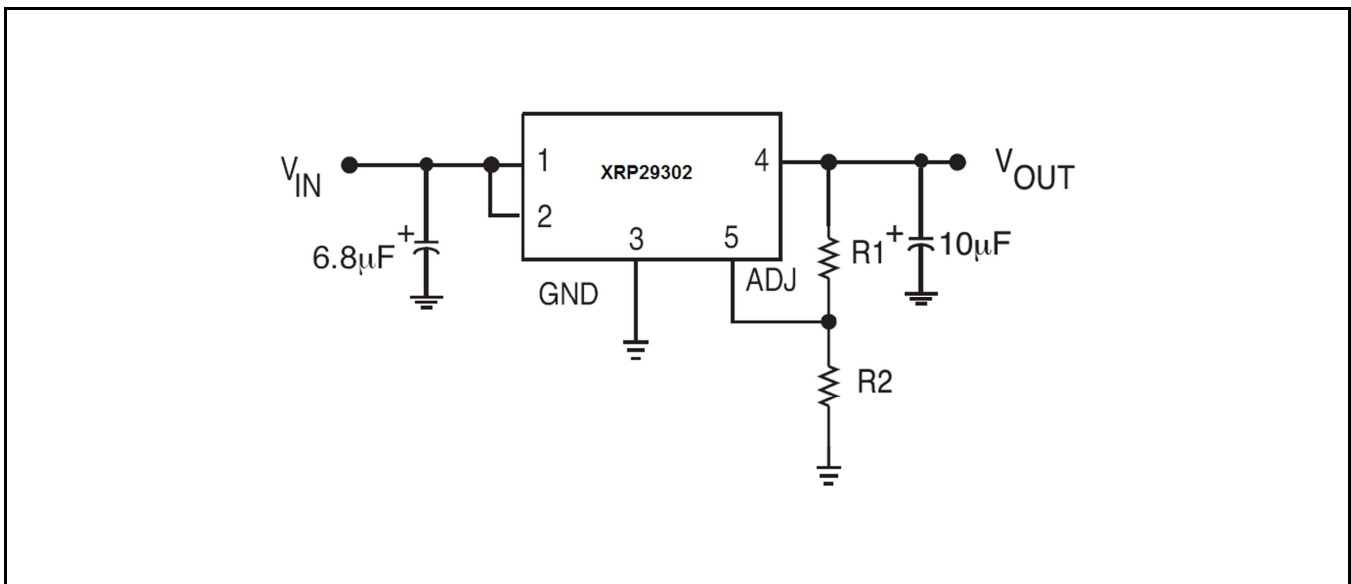


Fig. 1: XRP29302 Application Diagram



A New Direction in Mixed-Signal

**3A Low Dropout Voltage Regulator**

**ABSOLUTE MAXIMUM RATINGS**

These are stress ratings only and functional operation of the device at these ratings or any other above those indicated in the operation sections of the specifications below is not implied. Exposure to absolute maximum rating conditions for extended periods of time may affect reliability.

Input Voltage $V_{IN}^1$ .....	20V
Storage Temperature.....	-65°C to 150°C
Lead Temperature (Soldering, 5 sec) .....	260°C
ESD Rating (HBM - Human Body Model) .....	
All pins except EN.....	2kV
En pin .....	1kV

**OPERATING RATINGS**

Input Voltage Range $V_{IN}$ .....	16V
Junction Temperature Range .....	-40°C to 125°C
Thermal Resistance .....	
TO-220 Junction to Case @ $T_A$ .....	3°C/W
TO-220 Junction to Ambient .....	60°C/W
TO-263 Junction to Case @ $T_A$ .....	3°C/W
TO-263 Junction to Ambient .....	60°C/W

Note 1: Maximum positive supply voltage of 20V must be of limited duration (<100ms) and duty cycle of less than 1%. The maximum continuous supply voltage is 16V.

**ELECTRICAL SPECIFICATIONS**

Specifications with standard type are for an Operating Junction Temperature of  $T_J = T_A = 25^\circ\text{C}$  only; limits applying over the full Operating Junction Temperature range are denoted by a "•". Minimum and Maximum limits are guaranteed through test, design, or statistical correlation. Typical values represent the most likely parametric norm at  $T_J = 25^\circ\text{C}$ , and are provided for reference purposes only. Unless otherwise indicated,  $V_{IN} = V_{OUT} + 1\text{V}$  and  $I_{OUT} = 10\text{mA}$ ,  $C_{IN} = 6.8\mu\text{F}$ ,  $C_{OUT} = 10\mu\text{F}$ ,  $T_A = 25^\circ\text{C}$ .

Parameter	Min.	Typ.	Max.	Units	Conditions	
Line Regulation		0.06	0.5	%	$I_{OUT} = 10\text{mA}$ , $(V_{OUT} + 1\text{V}) \leq V_{IN} \leq 16\text{V}$	
Load Regulation		0.2	1	%	$V_{IN} = V_{OUT} + 1\text{V}$ , $10\text{mA} \leq I_{OUT} \leq I_{FL}$ (note 2)	
$\Delta V/\Delta T$		20	100	ppm/ $^\circ\text{C}$	• $V_{OUT}$ Temp Coefficient (note 6)	
Dropout Voltage (note 3)		120	300	mV	• $I_{OUT} = 100\text{mA}$	
		380			• $I_{OUT} = 1.5\text{A}$	
		525	650		• $I_{OUT} = 2.5\text{A}$ , XRP29302A only	
		600	800		• $I_{OUT} = 3\text{A}$	
Ground Current (note 5)		30	60	mA	• $I_{OUT} = 1.5\text{A}$	
		40			• $I_{OUT} = 3\text{A}$	
Ground Pin Current at Dropout		0.9		mA	$V_{IN} = 0.5\text{V}$ less than specified $V_{OUT}$ $I_{OUT} = 10\text{mA}$	
Current Limit	3.0	4.5		A	$V_{OUT} = 0\text{V}$ (note 4)	
Output Noise Voltage		400		$\mu\text{V}_{\text{RMS}}$	10Hz-100KHz, $I_{OUT} = 100\text{mA}$ , $C_{OUT} = 10\mu\text{F}$	
		260			10Hz-100KHz, $I_{OUT} = 100\text{mA}$ , $C_{OUT} = 33\mu\text{F}$	
Reference Voltage	1.228	1.24	1.252	V		
	1.215		1.265	V	•	
Adjust Pin Bias Current		40	80	nA		
			120		•	
Reference Voltage Temperature Coefficient		20		ppm/ $^\circ\text{C}$	Note 7	
Adjust Pin Bias Current Temperature Coefficient		0.1		nA/ $^\circ\text{C}$		
<b>Enable Input</b>						
Input Logic Voltage Low (OFF)			0.8	V	• $V_{IN} < 10\text{V}$	
Input Logic Voltage High (ON)	2.4					
Enable Input Pin		100	600	$\mu\text{A}$	• $V_{EN} = 16\text{V}$	
			750			
			1			• $V_{EN} = 0.8\text{V}$
			2			
Regulator Output Current in Shutdown		10	500	$\mu\text{A}$	• Note 8	

Note 2: Full load current ( $I_{FL}$ ) is defined as 3.0A.

Note 3: Dropout voltage is defined ( $V_{IN} - V_{OUT}$ ) when the output voltage drops to 99% of its nominal value.

Note 4:  $V_{IN} = V_{OUT}(\text{nom}) + 1\text{V}$ . Use pulse-testing procedures to minimize temperature rise.

Note 5: Ground pin current is the regulator quiescent current. The total current drawn from the source is the sum of the load current to the ground current.

Note 6: Output voltage temperature coefficient is defined as the worst case voltage change divided by the total temperature range

Note 7: Thermal regulation is defined as the change in output voltage at time T after a change in power dissipation is applied, excluding load/line regulation effects. Specifications for a 200mA load pulse as  $V_{IN}=20V$  (a 4W pulse) for  $t=10ms$ .

Note 8:  $V_{EN} \leq 0.8V$  and  $V_{IN} \leq 16V$ ,  $V_{OUT} = 0$ .

### BLOCK DIAGRAM

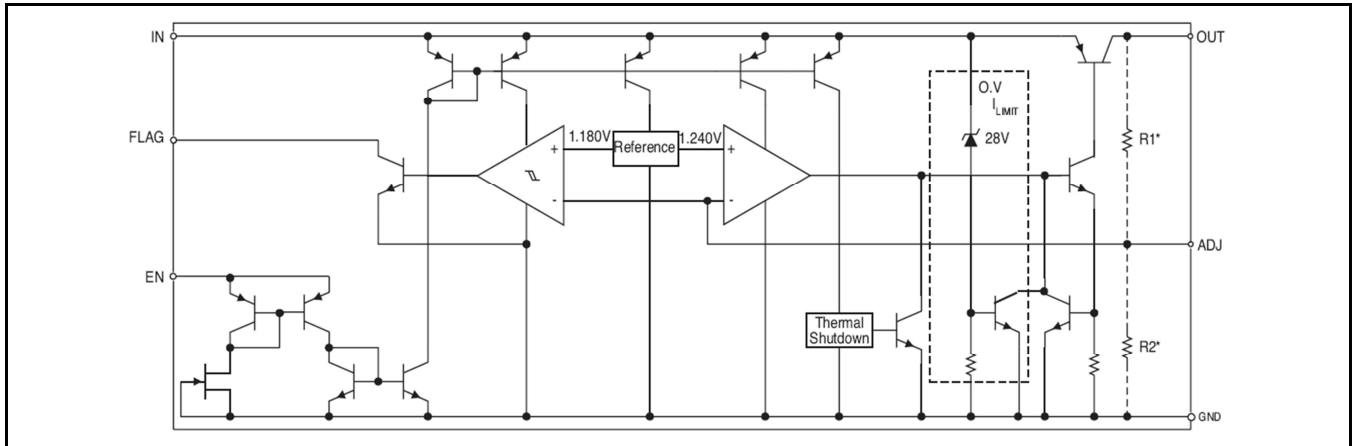


Fig. 2: XRP29302 Block Diagram

### PIN ASSIGNMENT

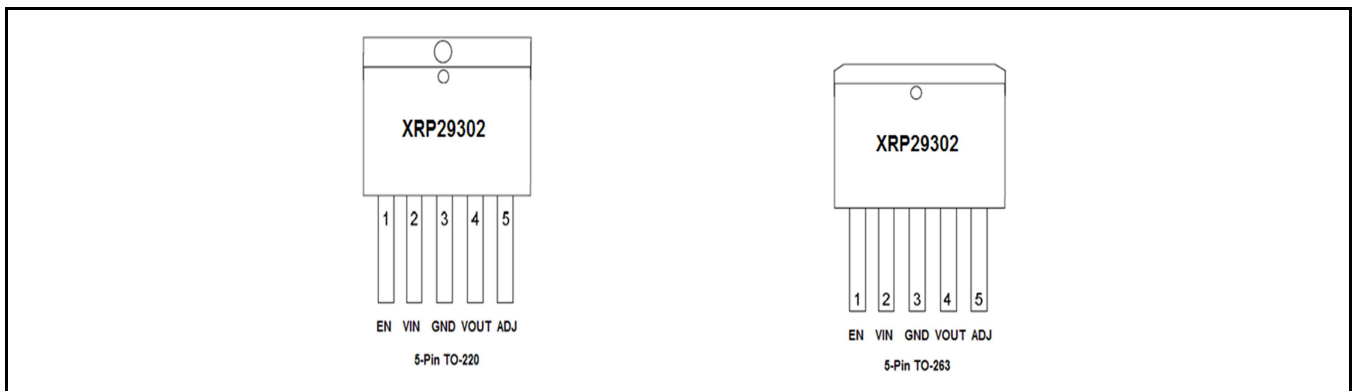


Fig. 3: XRP29302 Pin Assignment



A New Direction in Mixed-Signal

**XRP29302**

**3A Low Dropout Voltage Regulator**

**ORDERING INFORMATION**

Part Number	Junction Temperature Range	Marking	Package	Packing Quantity	Note 1	Note 2
XRP29302ET-L	-40°C ≤ T <sub>j</sub> ≤ +125°C	XRP29302E YYWW X	5-pin TO220	Bulk	Lead Free	
XRP29302ETB-L	-40°C ≤ T <sub>j</sub> ≤ +125°C	XRP29302E YYWW X	5-pin TO263	Bulk	Lead Free	
XRP29302ETBTR-L	-40°C ≤ T <sub>j</sub> ≤ +125°C	XRP29302E YYWW X	5-pin TO263	500/Tape & Reel	Lead Free	
XRP29302AETB-L	-40°C ≤ T <sub>j</sub> ≤ +125°C	XRP29302E YYWW X	5-pin TO263	Bulk	Lead Free	Adjustable
XRP29302AETBTR-L				500/Tape & Reel		

“YY” = Year - “WW” = Work Week - “X” = Lot Number

Note: XRP29302AETB-L has the same package marking as XRP29302ETB-L. The “A” designator is only provided on the packaging label.

**TYPICAL PERFORMANCE CHARACTERISTICS**

All data taken at  $V_{IN} = V_{OUT} + 1V$ ,  $T_J = T_A = 25^\circ C$ , unless otherwise specified.

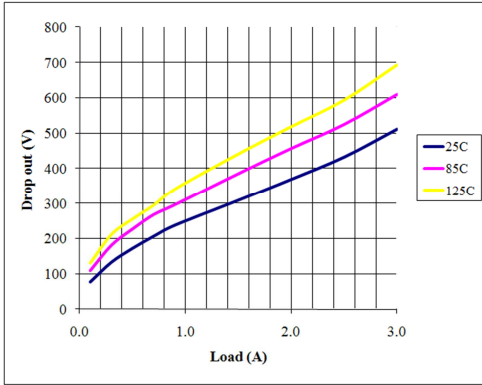


Fig. 4: Dropout Voltage vs Load Current

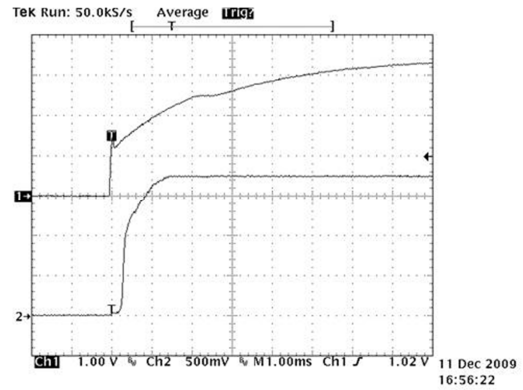


Fig. 5: Startup

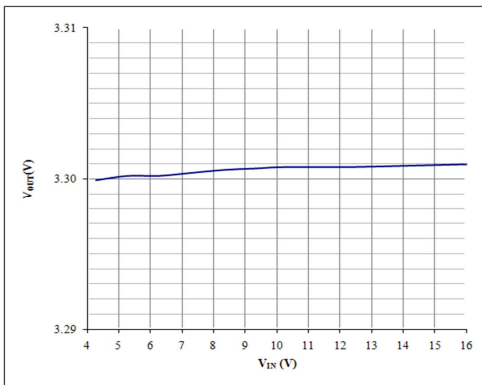


Fig. 6: Line Regulation  
 $I_{OUT}=10mA$ ,  $V_{OUT}=3.3V$

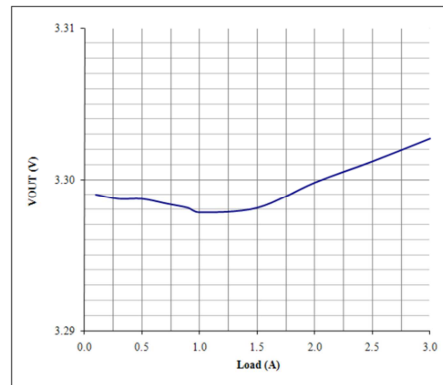


Fig. 7: Load Regulation  
 $V_{OUT}=3.3V$

**THEORY OF OPERATION**

The XRP29302 incorporates protection against over-current faults, reversed load insertion, over temperature operation, and positive and negative transient voltage.

**THERMAL CONSIDERATIONS**

Although the XRP29302 offers limiting circuitry for overload conditions, it is still necessary to insure that the maximum junction temperature is not exceeded in the application. Heat will flow through the lowest resistance path, the junction-to-case path. In order to insure the best thermal flow of the component, proper mounting is required.

**TO-220 DESIGN EXAMPLE:**

Assume that  $V_{IN} = 10V$ ,  $V_{OUT} = 5V$ ,  $I_{OUT} = 1.5A$ ,  $T_A = 50^{\circ}C$ ,  $\theta_{HA} = 1^{\circ}C/W$ ,  $\theta_{CH} = 2^{\circ}C/W$ , and  $\theta_{JC} = 3^{\circ}C/W$ , where:

- $T_A$  = ambient temperature,
- $\theta_{HA}$  = heatsink to ambient thermal resistance
- $\theta_{CH}$  = case to heatsink thermal resistance
- $\theta_{JC}$  = junction to case thermal resistance

The power calculated under these conditions is:

$$P_D = (V_{IN} - V_{OUT}) \times I_{OUT} = 7.5W$$

And the junction temperature is calculated as

$$T_j = T_A + P_D \times (\theta_{HA} + \theta_{CH} + \theta_{JC})$$

or

$$T_j = 50 + 7.5 \times (1 + 2 + 3) = 95^{\circ}C$$

Reliable operation is insured.

**CAPACITOR REQUIREMENTS**

The output capacitor is needed to insure stability and minimize the output noise. The value of the capacitor varies with the load. However, a minimum value of 10 $\mu$ F aluminum capacitor will guarantee stability over all load conditions.

A tantalum capacitor is recommended if a faster load transient response is needed. If the power source has high AC impedance, a 0.1 $\mu$ F ceramic capacitor between input & ground is recommended.

**MINIMUM LOAD CURRENT**

To ensure a proper behavior of the regulator under light load, a minimum load of 5mA for XRP29302 is required.

**ADJUSTABLE REGULATOR DESIGN**

The XRP29302 is an adjustable regulator that can be programmed to any value between 1.25V and 16V using 2 external resistors, R1 and R2. The relationship between the resistors and the output voltage is:

$$R_1 = R_2 \times \left( \frac{V_{OUT}}{1.240} - 1 \right)$$

**ENABLE INPUT**

The XRP29302 has an Enable function that switches the regulator on and off. Their thresholds are TTL compatible. When the regulator is active, approximately 20  $\mu$ A flows through the Enable pin.

**TYPICAL APPLICATION CIRCUITS**

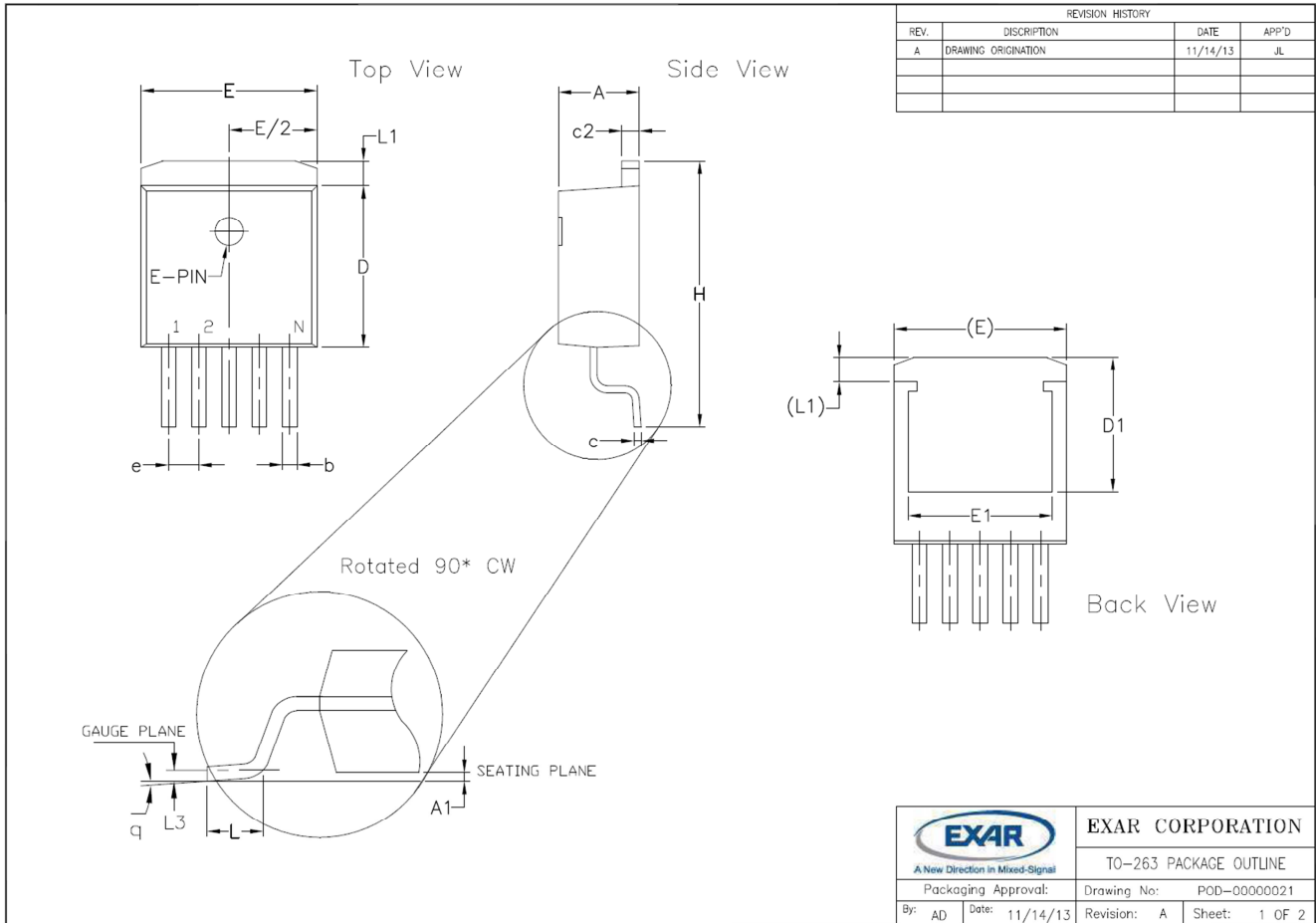
Figure 1 represents the typical implementation for an adjustable output regulator. The values of R1 and R2 set the output voltage value as follows:

$$V_{OUT} = V_{REF} \times \left( 1 + \frac{R_1}{R_2} \right)$$

A minimum value of 10kohms is recommended for R2 with a range between 10k $\Omega$  and 47k $\Omega$ .

### PACKAGE SPECIFICATION


### 5-PIN TO263



ECN 1346-06 11/14/2013

3 Pin TO-263 JEDEC TO-263 Variation AA				5 Pin TO-263 JEDEC TO-263 Variation BA									
SYMBOLS	DIMENSIONS IN INCH (Control Unit)			DIMENSIONS IN MM (Reference Unit)			SYMBOLS	DIMENSIONS IN INCH (Control Unit)			DIMENSIONS IN MM (Reference Unit)		
	MIN	NOM	MAX	MIN	NOM	MAX		MIN	NOM	MAX	MIN	NOM	MAX
A	0.160	---	0.190	4.06	---	4.83	A	0.160	---	0.190	4.06	---	4.83
A1	0.000	---	0.010	0.00	---	0.25	A1	0.000	---	0.010	0.00	---	0.25
b	0.020	---	0.039	0.51	---	0.99	b	0.020	---	0.039	0.51	---	0.99
b2	0.045	---	0.070	1.14	---	1.78	b2	0.045	---	0.070	1.14	---	1.78
c	0.015	---	0.029	0.38	---	0.74	c	0.015	---	0.029	0.38	---	0.74
c2	0.045	---	0.065	1.14	---	1.65	c2	0.045	---	0.065	1.14	---	1.65
D	0.330	---	0.380	8.38	---	9.65	D	0.330	---	0.380	8.38	---	9.65
D1	0.270	---	---	6.86	---	---	D1	0.270	---	---	6.86	---	---
E	0.380	---	0.420	9.65	---	10.67	E	0.380	---	0.420	9.65	---	10.67
E1	0.245	---	---	6.22	---	---	E1	0.245	---	---	6.22	---	---
e	0.100 BSC			2.54 BSC			e	0.067 BSC			1.70 BSC		
H	0.575	---	0.625	14.61	---	15.88	H	0.575	---	0.625	14.61	---	15.88
L	0.070	---	0.110	1.78	---	2.79	L	0.070	---	0.110	1.78	---	2.79
L1	---	---	0.066	---	---	1.68	L1	---	---	0.066	---	---	1.68
L3	0.010 BSC			0.25 BSC			L3	0.010 BSC			0.25 BSC		
Q	0"	3	8"	0"	3	8"	Q	0"	5	8"	0"	5	8"
N	3			3			N	5			5		

REVISION HISTORY			
REV.	DESCRIPTION	DATE	APP'D
A	DRAWING ORIGINATION	11/14/13	JL

		EXAR CORPORATION	
		TO-263 PACKAGE OUTLINE	
Packaging Approval:		Drawing No:	POD-0000021
By: AD	Date: 11/14/13	Revision: A	Sheet: 2 OF 2

ECN 1346-06 11/14/2013

\*: Dimension "A" (overall package thickness) is controlled to 0.181" maximum for XRP29302 only. Typical dimension "A" guaranteed for any other device in a 5-pin TO263 is 0.190" inch maximum.

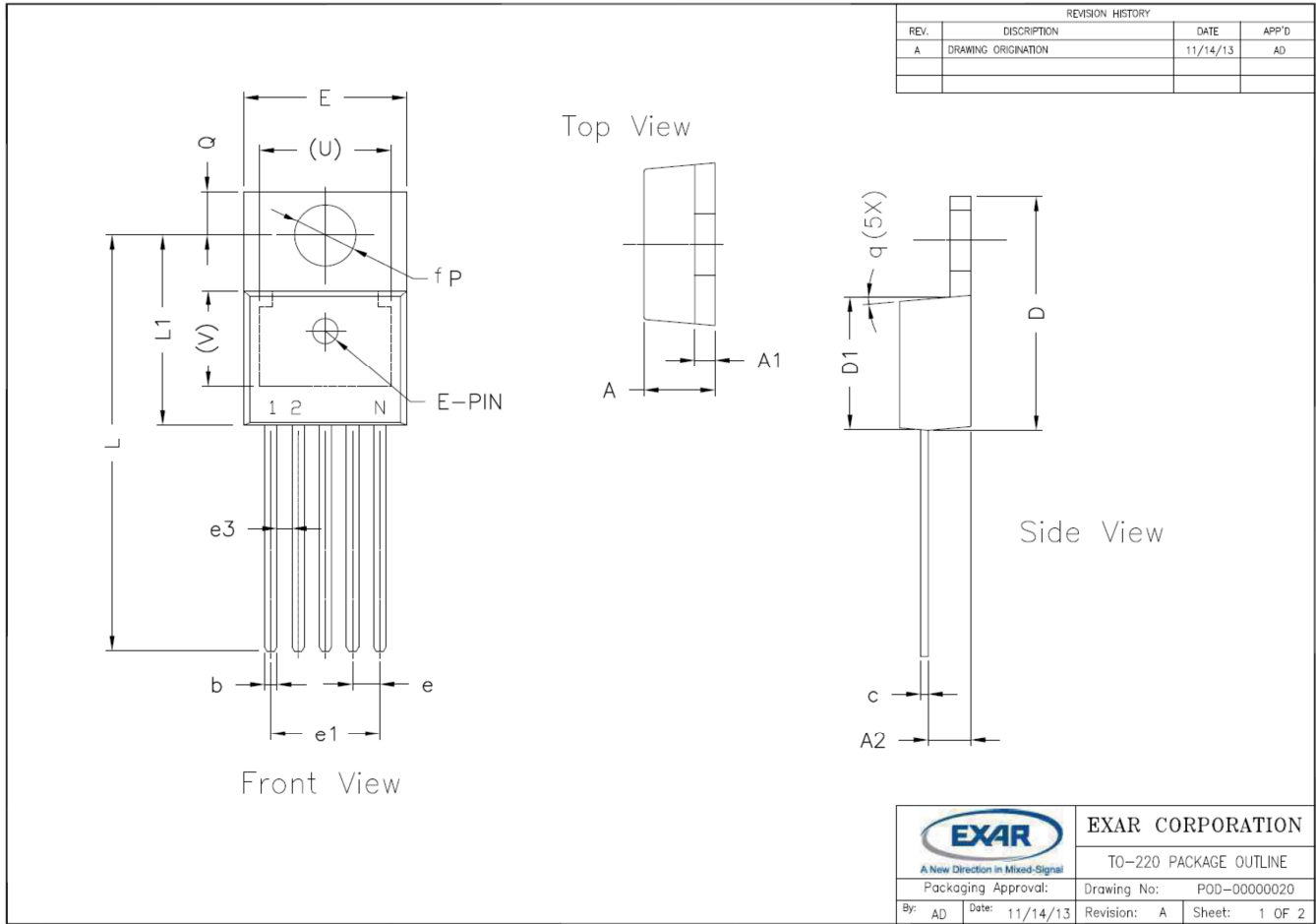


A New Direction in Mixed-Signal

**XRP29302**

**3A Low Dropout Voltage Regulator**

**5-PIN TO220**



ECN 1346-06 11/14/2013

3 Pin TO-220 (Option 1)* JEDEC TO-220-AB					3 Pin TO-220 (Option 2)*					5 Pin TO-220 JEDEC TS-001 Variation AA				
SYMBOLS	DIMENSIONS IN INCH (Control Unit)		DIMENSIONS IN MM (Reference Unit)		SYMBOLS	DIMENSIONS IN INCH (Control Unit)		DIMENSIONS IN MM (Reference Unit)		SYMBOLS	DIMENSIONS IN INCH (Control Unit)		DIMENSIONS IN MM (Reference Unit)	
	MIN	MAX	MIN	MAX		MIN	MAX	MIN	MAX		MIN	MAX	MIN	MAX
A	0.140	0.190	3.56	4.82	A	0.140	0.190	3.56	4.82	A	0.165	0.190	4.19	4.82
A1	0.020	0.055	0.51	1.40	A1	0.020	0.055	0.51	1.40	A1	0.035	0.055	0.89	1.39
A2	0.080	0.115	2.03	2.92	A2	0.080	0.115	2.03	2.92	A2	0.085	0.115	2.16	2.92
b	0.015	0.040	0.38	1.02	b	0.015	0.040	0.38	1.02	b	0.020	0.040	0.51	1.01
c	0.014	0.024	0.36	0.61	c	0.014	0.024	0.36	0.61	c	0.012	0.025	0.31	0.63
D	0.560	0.650	14.22	16.51	D	0.560	0.650	14.22	16.51	D	0.570	0.625	14.48	15.87
D1	0.330	0.355	8.38	9.02	D1	0.330	0.355	8.38	9.02	D1	0.330	0.370	8.39	9.39
D2	0.480	0.507	12.19	12.88	D2	0.480	0.507	12.19	12.88	E	0.390	0.415	9.91	10.54
E	0.380	0.420	9.65	10.67	E	0.380	0.420	9.65	10.67	e	0.067	BSC	1.70	BSC
E1	0.270	0.350	6.86	8.89	E1	0.270	0.350	6.86	8.89	e1	0.263	0.273	6.68	6.93
e	0.100	BSC	2.54	BSC	e	0.100	BSC	2.54	BSC	e3	0.030	0.040	0.76	1.02
e1	0.200	BSC	5.08	BSC	e1	0.200	BSC	5.08	BSC	L	0.945	1.045	24.00	26.54
H1	0.230	0.270	5.84	6.86	H1	0.230	0.270	5.84	6.86	L1	0.465	0.539	11.81	13.69
L	0.500	0.580	12.70	14.73	L	0.500	0.580	12.70	14.73	P	0.139	0.156	3.53	3.96
L1	—	0.250	—	6.35	L1	0.345	BSC	8.76	BSC	Q	0.103	0.113	2.62	2.87
P	0.139	0.156	3.53	3.96	P	0.139	0.156	3.53	3.96	U	0.300	REF	7.62	REF
Q	0.103	0.113	2.62	2.87	Q	0.103	0.113	2.62	2.87	V	0.240	REF	6.10	REF
V	0.240	REF	6.10	REF	V	0.240	REF	6.10	REF	q	3"	7"	3"	7"
q	3"	7"	3"	7"	q	3"	7"	3"	7"	N	3	5	3	5
N	3	5	3	5	N	3	5	3	5					

\* Refer to product datasheet for POD option being used

**EXAR CORPORATION**  
TO-220 PACKAGE OUTLINE  
Packaging Approval: Drawing No: POD-0000020  
By: AD Date: 11/14/13 Revision: A Sheet: 2 OF 2

ECN 1346-06 11/14/2013





A New Direction in Mixed-Signal

**XRP29302**

## **3A Low Dropout Voltage Regulator**

### **REVISION HISTORY**

<b>Revision</b>	<b>Date</b>	<b>Description</b>
1.0.0	12/17/2009	Initial Release of Datasheet
1.1.0	12/23/2009	Addition of ESD data
1.2.0	10/19/2010	Corrected Adjustable Regulator Design paragraph equation
1.3.0	11/25/2013	Added XRP29302A with 2.5A dropout specification Updated Package Outline Drawing. ECN 1348-10
1.4.0	03/25/2014	Corrected pin out drawings where EN was shown as VIN. [ECN 1414-12 4/1/14]

### **FOR FURTHER ASSISTANCE**

Email:

[customersupport@exar.com](mailto:customersupport@exar.com)

[powertechsupport@exar.com](mailto:powertechsupport@exar.com)

Exar Technical Documentation:

<http://www.exar.com/TechDoc/default.aspx?>



### **EXAR CORPORATION**

#### **HEADQUARTERS AND SALES OFFICES**

48720 Kato Road

Fremont, CA 94538 – USA

Tel.: +1 (510) 668-7000

Fax: +1 (510) 668-7030

[www.exar.com](http://www.exar.com)

### **NOTICE**

EXAR Corporation reserves the right to make changes to the products contained in this publication in order to improve design, performance or reliability. EXAR Corporation assumes no responsibility for the use of any circuits described herein, conveys no license under any patent or other right, and makes no representation that the circuits are free of patent infringement. Charts and schedules contained here in are only for illustration purposes and may vary depending upon a user's specific application. While the information in this publication has been carefully checked; no responsibility, however, is assumed for inaccuracies.

EXAR Corporation does not recommend the use of any of its products in life support applications where the failure or malfunction of the product can reasonably be expected to cause failure of the life support system or to significantly affect its safety or effectiveness. Products are not authorized for use in such applications unless EXAR Corporation receives, in writing, assurances to its satisfaction that: (a) the risk of injury or damage has been minimized; (b) the user assumes all such risks; (c) potential liability of EXAR Corporation is adequately protected under the circumstances.

Reproduction, in part or whole, without the prior written consent of EXAR Corporation is prohibited.