

XS1-G04B-FB512 Datasheet

Document Number: 1066E

Publication Date: 2011/10/06

Copyright © 2010 XMOS Limited, All Rights Reserved.



Table of Contents

1	Features	2
2	Pin Configuration	3
3	Signal Description	4
4	Block Diagram	11
5	Product Overview	13
6	DC and Switching Characteristics	20
7	Package Information	24
8	Ordering Information	25
9	Development Tools	25
10	Addendum: XMOS USB Interface	25
11	Associated Design Documentation	26
12	Related Documentation	27
13	Revision History	28

TO OUR VALUED CUSTOMERS

It is our intention to provide you with accurate and comprehensive documentation for the hardware and software components used in this product. To subscribe to receive updates, visit <http://www.xmos.com/>.

XMOS Ltd. is the owner or licensee of the information in this document and is providing it to you “AS IS” with no warranty of any kind, express or implied and shall have no liability in relation to its use. XMOS Ltd. makes no representation that the information, or any particular implementation thereof, is or will be free from any claims of infringement and again, shall have no liability in relation to any such claims.

XMOS and the XMOS logo are registered trademarks of XMOS Ltd in the United Kingdom and other countries, and may not be used without written permission. Company and product names mentioned in this document are the trademarks or registered trademarks of their respective owners.

1 Features

- ▶ **Quad-Core Device with Advanced Multi-Threaded RISC Architecture**
 - Up to 1600 MIPS shared between up to 32 real-time threads
 - Each thread has:
 - Guaranteed throughput of between $\frac{1}{4}$ and $\frac{1}{8}$ of core MIPS
 - 16x32bit dedicated registers
 - 159 high-density 16/32-bit instructions
 - All have single clock-cycle execution (except for divide)
 - High-performance DSP (32x32→64-bit MAC) and cryptographic instructions
- ▶ **Programmable I/O**
 - 256 general-purpose I/O pins, configurable as input, output or bi-directional ports
 - Port sampling rates of up to 60 MHz with respect to an external clock
 - 128 channel ends for communication with other threads, on or off-chip
- ▶ **Non-Volatile Memory**
 - 256KB internal single-cycle SRAM (max 64KB per core) for code and data storage
 - 32KB internal OTP (max 8KB per core) for application boot code
- ▶ **JTAG Module for On-Chip Debug**
- ▶ **Security Features**
 - Programming lock disables debug and prevents read-back of memory contents
 - AES bootloader ensures secrecy of IP held on external flash memory
- ▶ **Ambient Temperature Range**
 - Commercial qualification: 0 °C to 70 °C
 - Industrial qualification: -40 °C to 85 °C
- ▶ **Speed Grade**
 - 400 MHz part: 400 MIPS
- ▶ **512-pin PBGA package 0.8 mm pitch**

2 Pin Configuration

	1	2	3	4	5	6	7	8	9	10	11	12	13	14	15	16	17	18	19	20	21	22	23	24																																																												
A	IO VDD	IO VDD	X0D61	X0D63	X0D65	VSS	X0D67	X0D69	NC	IO VDD	NC	NC	NC	NC	VSS	NC	X3D69	X3D67	IO VDD	X3D65	X3D63	X3D61	VSS	VSS																																																												
B	IO VDD	IO VDD	NC	X0D62	X0D64	VSS	X0D66	X0D68	X0D70	IO VDD	NC	NC	NC	NC	VSS	X3D70	X3D68	X3D66	IO VDD	X3D64	X3D62	NC	VSS	VSS																																																												
C	NC	X0D58	IO VDD	X0D37	X0D39	X0D41	VSS	X0D43	NC	NC	IO VDD	NC	NC	VSS	NC	NC	X3D43	IO VDD	X3D41	X3D39	X3D37	VSS	X3D58	NC																																																												
D	X0D57	X0D56	X0D35	IO VDD	X0D36	X0D38	X0D40	VSS	X0D42	NC	NC	NC	NC	NC	NC	X3D42	IO VDD	X3D40	X3D38	X3D36	VSS	X3D35	X3D56	X3D57																																																												
E	X0D55	X0D54	X0D33	X0D34	IO VDD	X0D13	X0D15	X0D17	VSS	X0D19	X0D21	X0D23	X3D23	X3D21	X3D19	IO VDD	X3D17	X3D15	X3D13	VSS	X3D34	X3D33	X3D54	X3D55																																																												
F	VSS	VSS	X0D31	X0D32	X0D11	IO VDD	X0D12	X0D14	X0D16	X0D18	X0D20	X0D22	X3D22	X3D20	X3D18	X3D16	X3D14	X3D12	VSS	X3D11	X3D32	X3D31	IO VDD	IO VDD																																																												
G	X0D53	X0D52	VSS	X0D30	X0D09	X0D10	IO VDD	SS_PLL_BYPASS	SS_PLL_LOCK	VDD	VDD	SS_RESET	SS_OTP_VREF	VDD	VDD	VDD	SS_OTP_PWL_UP	VSS	X3D10	X3D09	X3D30	IO VDD	X3D52	X3D53																																																												
H	X0D51	X0D50	X0D29	VSS	X0D07	X0D08	SS_CLK	<table border="1" style="margin: auto;"> <tr><td>VSS</td><td>VSS</td><td>VSS</td><td>VSS</td><td>VSS</td><td>VSS</td></tr> <tr><td>VSS</td><td>VSS</td><td>VSS</td><td>VSS</td><td>VSS</td><td>VSS</td></tr> <tr><td>VSS</td><td>VSS</td><td>VSS</td><td>VSS</td><td>VSS</td><td>VSS</td></tr> <tr><td>VSS</td><td>VSS</td><td>VSS</td><td>VSS</td><td>VSS</td><td>VSS</td></tr> <tr><td>VSS</td><td>VSS</td><td>VSS</td><td>VSS</td><td>VSS</td><td>VSS</td></tr> <tr><td>VSS</td><td>VSS</td><td>VSS</td><td>VSS</td><td>VSS</td><td>VSS</td></tr> <tr><td>VSS</td><td>VSS</td><td>VSS</td><td>VSS</td><td>VSS</td><td>VSS</td></tr> <tr><td>VSS</td><td>VSS</td><td>VSS</td><td>VSS</td><td>VSS</td><td>VSS</td></tr> <tr><td>VSS</td><td>VSS</td><td>VSS</td><td>VSS</td><td>VSS</td><td>VSS</td></tr> <tr><td>VSS</td><td>VSS</td><td>VSS</td><td>VSS</td><td>VSS</td><td>VSS</td></tr> </table>										VSS	VSS	VSS	VSS	VSS	VSS	VSS	VSS	VSS	VSS	VSS	VSS	VSS	VSS	VSS	VSS	VSS	VSS	VSS	VSS	VSS	VSS	VSS	VSS	VSS	VSS	VSS	VSS	VSS	VSS	VSS	VSS	VSS	VSS	VSS	VSS	VSS	VSS	VSS	VSS	VSS	VSS	VSS	VSS	VSS	VSS	VSS	VSS	VSS	VSS	VSS	VSS	VSS	VSS	VSS	VSS	VSS	VSS	VSS	VSS	SS_XCO_BS[0]	X3D08	X3D07	IO VDD	X3D29	X3D50	X3D51
VSS	VSS	VSS	VSS	VSS	VSS																																																																															
VSS	VSS	VSS	VSS	VSS	VSS																																																																															
VSS	VSS	VSS	VSS	VSS	VSS																																																																															
VSS	VSS	VSS	VSS	VSS	VSS																																																																															
VSS	VSS	VSS	VSS	VSS	VSS																																																																															
VSS	VSS	VSS	VSS	VSS	VSS																																																																															
VSS	VSS	VSS	VSS	VSS	VSS																																																																															
VSS	VSS	VSS	VSS	VSS	VSS																																																																															
VSS	VSS	VSS	VSS	VSS	VSS																																																																															
VSS	VSS	VSS	VSS	VSS	VSS																																																																															
J	X0D49	NC	X0D27	X0D28	VSS	X0D06	SS_PLL_LOCK											SS_XCO_BS[1]	X3D06	IO VDD	X3D28	X3D27	NC	X3D49																																																												
K	IO VDD	IO VDD	X0D25	X0D26	X0D05	X0D04	VDD											VDD	X3D04	X3D05	X3D26	X3D25	VSS	VSS																																																												
L	NC	NC	IO VDD	X0D24	X0D03	X0D02	VDD											VDD	X3D02	X3D03	X3D24	NC	SS_XC_CFG[0]	SS_XC1_BS[0]																																																												
M	NC	NC	NC	NC	X0D01	X0D00	SS_EXT_GSC_CONFIG											VSS	VSS	VSS	VSS	VSS	VSS	SS_DEBUG	X3D00	X3D01	NC	NC	SS_XC_CFG[1]	SS_XC1_BS[1]																																																						
N	NC	NC	NC	NC	X1D01	X1D00	SS_EXT_GSC_HS_MODE											VSS	VSS	VSS	VSS	VSS	VSS	SS_RESERVED	X2D00	X2D01	NC	NC	SS_XC0_BS[2]	SS_XC1_BS[2]																																																						
P	NC	NC	VSS	X1D24	X1D03	X1D02	VDD											VSS	VSS	VSS	VSS	VSS	VSS	VDD	X2D02	X2D03	X2D24	NC	SS_XC0_BS[3]	SS_XC1_BS[3]																																																						
R	VSS	VSS	X1D25	X1D26	X1D05	X1D04	VDD											VSS	VSS	VSS	VSS	VSS	VSS	VDD	X2D04	X2D05	X2D26	X2D25	IO VDD	IO VDD																																																						
T	X1D49	NC	X1D27	X1D28	IO VDD	X1D06	SS_PLL_TEST											SS_TEST_ENA	X2D06	VSS	X2D28	X2D27	NC	X2D49																																																												
U	X1D51	X1D50	X1D29	IO VDD	X1D07	X1D08	SS_PLL_AQND											SS_TCK	X2D08	X2D07	VSS	X2D29	X2D50	X2D51																																																												
V	X1D53	X1D52	IO VDD	X1D30	X1D09	X1D10	VSS	SS_PLL_AVDD	SS_OTP_VPP	VDD	VDD	SS_TMS	SS_TDO	VDD	VDD	SS_TDI	SS_TRST	IO VDD	X2D10	X2D09	X2D30	VSS	X2D52	X2D53																																																												
W	IO VDD	IO VDD	X1D31	X1D32	X1D11	VSS	X1D12	X1D14	X1D16	X1D18	X1D20	X1D22	X2D22	X2D20	X2D18	X2D16	X2D14	X2D12	IO VDD	X2D11	X2D32	X2D31	VSS	VSS																																																												
Y	X1D55	X1D54	X1D33	X1D34	VSS	X1D13	X1D15	X1D17	IO VDD	X1D19	X1D21	X1D23	X2D23	X2D21	X2D19	VSS	X2D17	X2D15	X2D13	IO VDD	X2D34	X2D33	X2D54	X2D55																																																												
AA	X1D57	X1D56	X1D35	VSS	X1D36	X1D38	X1D40	IO VDD	X1D42	NC	NC	NC	NC	NC	NC	X2D42	VSS	X2D40	X2D38	X2D36	IO VDD	X2D35	X2D56	X2D57																																																												
AB	NC	X1D58	VSS	X1D37	X1D39	X1D41	IO VDD	X1D43	NC	VSS	NC	NC	IO VDD	NC	NC	X2D43	VSS	X2D41	X2D39	X2D37	IO VDD	X2D58	NC																																																													
AC	VSS	VSS	NC	X1D62	X1D64	IO VDD	X1D66	X1D68	X1D70	VSS	NC	NC	NC	NC	IO VDD	X2D70	X2D68	X2D66	VSS	X2D64	X2D62	NC	IO VDD	IO VDD																																																												
AD	VSS	VSS	X1D61	X1D63	X1D65	IO VDD	X1D67	X1D69	NC	VSS	NC	NC	NC	NC	IO VDD	NC	X2D69	X2D67	VSS	X2D65	X2D63	X2D61	IO VDD	IO VDD																																																												

3 Signal Description

Module	Signal	Function	Type	Active	Properties
PU=Pull Up, PD=Pull Down, ST=Schmitt Trigger, OT=Output Tristate, S=Switchable R _S =Required for SPI boot (§5.8), R _U =Required for USB-enabled devices (§10)					
Power	VSS	Digital ground	GND	—	
	VDD	Digital core power	PWR	—	
	IO VDD	Digital I/O power	PWR	—	
	SS_PLL_AGND	Analog ground for PLL	GND	—	
	SS_PLL_AVDD	Analog PLL power	PWR	—	
	SS_OTP_VPP	OTP programming voltage	PWR	—	
	SS_RESET	Global reset input	Input	—	
PLL	SS_CLK	PLL reference clock	Input	—	PD, ST
	SS_PLL_BYPASS	PLL bypass	Input	—	PD
	SS_EXT_OSC_CONFIG	Oscillator config	Input	—	PD
	SS_EXT_OSC_HS_MODE	Oscillator high-speed mode	Input	—	PD
	SS_XC0_BS[3:0]	Boot status (core 0)	I/O	—	PU
	SS_XC1_BS[3:0]	Boot status (core 1)	I/O	—	PU
JTAG	SS_TDI	Test data input	Input	—	PU, ST
	SS_TDO	Test data output	Output	—	PD
	SS_TMS	Test mode select	Input	—	PU, ST
	SS_TRST	Test reset input	Input	—	PU, ST
	SS_TCK	Test clock	Input	—	PU, ST
	SS_DEBUG	Multi-chip debug	I/O	—	PU
XCore 0 I/O	X0D00	P1A ⁰	I/O	—	PD _S , R _S
	X0D01	X0LA ⁴ⁱ _{5b} P1B ⁰	I/O	—	PD _S , R _S
	X0D02	X0LA ³ⁱ _{5b} P4A ⁰ P8A ⁰ P16A ⁰ P32A ²⁰	I/O	—	PD _S , R _U
	X0D03	X0LA ²ⁱ _{5b} P4A ¹ P8A ¹ P16A ¹ P32A ²¹	I/O	—	PD _S , R _U
	X0D04	X0LA ¹ⁱ _{2b/5b} P4B ⁰ P8A ² P16A ² P32A ²²	I/O	—	PD _S , R _U
	X0D05	X0LA ⁰ⁱ _{2b/5b} P4B ¹ P8A ³ P16A ³ P32A ²³	I/O	—	PD _S , R _U
	X0D06	X0LA ^{9o} _{2b/5b} P4B ² P8A ⁴ P16A ⁴ P32A ²⁴	I/O	—	PD _S , R _U
	X0D07	X0LA ^{1o} _{2b/5b} P4B ³ P8A ⁵ P16A ⁵ P32A ²⁵	I/O	—	PD _S , R _U
	X0D08	X0LA ^{2o} _{5b} P4A ² P8A ⁶ P16A ⁶ P32A ²⁶	I/O	—	PD _S , R _U
	X0D09	X0LA ^{3o} _{5b} P4A ³ P8A ⁷ P16A ⁷ P32A ²⁷	I/O	—	PD _S , R _U
	X0D10	X0LA ^{4o} _{5b} P1C ⁰	I/O	—	PD _S , R _S
	X0D11	P1D ⁰	I/O	—	PD _S , R _S
	X0D12	P1E ⁰	I/O	—	PD _S , R _U
	X0D13	X0LB ⁴ⁱ _{5b} P1F ⁰	I/O	—	PD _S , R _U
	X0D14	X0LB ³ⁱ _{5b} P4C ⁰ P8B ⁰ P16A ⁸ P32A ²⁸	I/O	—	PD _S , R _U
	X0D15	X0LB ²ⁱ _{5b} P4C ¹ P8B ¹ P16A ⁹ P32A ²⁹	I/O	—	PD _S , R _U
	X0D16	X0LB ¹ⁱ _{2b/5b} P4D ⁰ P8B ² P16A ¹⁰	I/O	—	PD _S , R _U
	X0D17	X0LB ⁹ⁱ _{2b/5b} P4D ¹ P8B ³ P16A ¹¹	I/O	—	PD _S , R _U
X0D18	X0LB ^{9o} _{2b/5b} P4D ² P8B ⁴ P16A ¹²	I/O	—	PD _S , R _U	

(continued)

Module	Name	Function	Type	Active	Properties
XCore 0 I/O	X0D19	X0LB ¹ _{2b/5b} P4D ³ P8B ⁵ P16A ¹³	I/O	—	PD _S , RU
	X0D20	X0LB ² _{5b} P4C ² P8B ⁶ P16A ¹⁴ P32A ³⁰	I/O	—	PD _S , RU
	X0D21	X0LB ³ _{5b} P4C ³ P8B ⁷ P16A ¹⁵ P32A ³¹	I/O	—	PD _S , RU
	X0D22	X0LB ⁴ _{5b} P1G ⁰	I/O	—	PD _S , RU
	X0D23	P1H ⁰	I/O	—	PD _S , RU
	X0D24	P1I ⁰	I/O	—	PD _S
	X0D25	P1J ⁰	I/O	—	PD _S
	X0D26	P4E ⁰ P8C ⁰ P16B ⁰	I/O	—	PD _S , RU
	X0D27	P4E ¹ P8C ¹ P16B ¹	I/O	—	PD _S , RU
	X0D28	P4F ⁰ P8C ² P16B ²	I/O	—	PD _S , RU
	X0D29	P4F ¹ P8C ³ P16B ³	I/O	—	PD _S , RU
	X0D30	P4F ² P8C ⁴ P16B ⁴	I/O	—	PD _S , RU
	X0D31	P4F ³ P8C ⁵ P16B ⁵	I/O	—	PD _S , RU
	X0D32	P4E ² P8C ⁶ P16B ⁶	I/O	—	PD _S , RU
	X0D33	P4E ³ P8C ⁷ P16B ⁷	I/O	—	PD _S , RU
	X0D34	P1K ⁰	I/O	—	PD _S
	X0D35	P1L ⁰	I/O	—	PD _S
	X0D36	P1M ⁰ P8D ⁰ P16B ⁸	I/O	—	PD _S
	X0D37	P1N ⁰ P8D ¹ P16B ⁹	I/O	—	PD _S , RU
	X0D38	P1O ⁰ P8D ² P16B ¹⁰	I/O	—	PD _S , RU
	X0D39	P1P ⁰ P8D ³ P16B ¹¹	I/O	—	PD _S , RU
	X0D40	P8D ⁴ P16B ¹²	I/O	—	PD _S , RU
	X0D41	P8D ⁵ P16B ¹³	I/O	—	PD _S , RU
	X0D42	P8D ⁶ P16B ¹⁴	I/O	—	PD _S , RU
	X0D43	P8D ⁷ P16B ¹⁵	I/O	—	PU _S , RU
	X0D49	X0LC ⁴ _{5b} P32A ⁰	I/O	—	PD _S
	X0D50	X0LC ³ _{5b} P32A ¹	I/O	—	PD _S
	X0D51	X0LC ² _{5b} P32A ²	I/O	—	PD _S
	X0D52	X0LC ¹ _{2b/5b} P32A ³	I/O	—	PD _S
	X0D53	X0LC ⁰ _{2b/5b} P32A ⁴	I/O	—	PD _S
	X0D54	X0LC ⁰ _{2b/5b} P32A ⁵	I/O	—	PD _S
	X0D55	X0LC ¹ _{2b/5b} P32A ⁶	I/O	—	PD _S
	X0D56	X0LC ² _{5b} P32A ⁷	I/O	—	PD _S
	X0D57	X0LC ³ _{5b} P32A ⁸	I/O	—	PD _S
	X0D58	X0LC ⁴ _{5b} P32A ⁹	I/O	—	PD _S
	X0D61	X0LD ⁴ _{5b} P32A ¹⁰	I/O	—	PD _S
	X0D62	X0LD ³ _{5b} P32A ¹¹	I/O	—	PD _S
	X0D63	X0LD ² _{5b} P32A ¹²	I/O	—	PD _S
	X0D64	X0LD ¹ _{2b/5b} P32A ¹³	I/O	—	PD _S
	X0D65	X0LD ⁰ _{2b/5b} P32A ¹⁴	I/O	—	PD _S
	X0D66	X0LD ⁰ _{2b/5b} P32A ¹⁵	I/O	—	PD _S
	X0D67	X0LD ¹ _{2b/5b} P32A ¹⁶	I/O	—	PD _S
	X0D68	X0LD ² _{5b} P32A ¹⁷	I/O	—	PD _S

(continued)

Module	Name	Function	Type	Active	Properties
XCore 0 I/O	X0D69	X0LD _{5b} ³⁰ P32A ¹⁸	I/O	—	PD _S
	X0D70	X0LD _{5b} ⁴⁰ P32A ¹⁹	I/O	—	PD _S
XCore 1 I/O	X1D00	P1A ⁰	I/O	—	PD _S
	X1D01	X1LA _{5b} ⁴⁰ P1B ⁰	I/O	—	PD _S
	X1D02	X1LA _{5b} ³⁰ P4A ⁰ P8A ⁰ P16A ⁰ P32A ²⁰	I/O	—	PD _S , RU
	X1D03	X1LA _{5b} ²⁰ P4A ¹ P8A ¹ P16A ¹ P32A ²¹	I/O	—	PD _S , RU
	X1D04	X1LA _{2b/5b} ¹⁰ P4B ⁰ P8A ² P16A ² P32A ²²	I/O	—	PD _S , RU
	X1D05	X1LA _{2b/5b} ⁰⁰ P4B ¹ P8A ³ P16A ³ P32A ²³	I/O	—	PD _S , RU
	X1D06	X1LA _{2b/5b} ⁰¹ P4B ² P8A ⁴ P16A ⁴ P32A ²⁴	I/O	—	PD _S , RU
	X1D07	X1LA _{2b/5b} ¹¹ P4B ³ P8A ⁵ P16A ⁵ P32A ²⁵	I/O	—	PD _S , RU
	X1D08	X1LA _{5b} ²¹ P4A ² P8A ⁶ P16A ⁶ P32A ²⁶	I/O	—	PD _S , RU
	X1D09	X1LA _{5b} ³¹ P4A ³ P8A ⁷ P16A ⁷ P32A ²⁷	I/O	—	PD _S , RU
	X1D10	X1LA _{5b} ⁴¹ P1C ⁰	I/O	—	PD _S
	X1D11	P1D ⁰	I/O	—	PD _S
	X1D12	P1E ⁰	I/O	—	PD _S , RU
	X1D13	X1LB _{5b} ⁴⁰ P1F ⁰	I/O	—	PD _S , RU
	X1D14	X1LB _{5b} ³⁰ P4C ⁰ P8B ⁰ P16A ⁸ P32A ²⁸	I/O	—	PD _S , RU
	X1D15	X1LB _{5b} ²⁰ P4C ¹ P8B ¹ P16A ⁹ P32A ²⁹	I/O	—	PD _S , RU
	X1D16	X1LB _{2b/5b} ¹⁰ P4D ⁰ P8B ² P16A ¹⁰	I/O	—	PD _S , RU
	X1D17	X1LB _{2b/5b} ⁰⁰ P4D ¹ P8B ³ P16A ¹¹	I/O	—	PD _S , RU
	X1D18	X1LB _{2b/5b} ⁰¹ P4D ² P8B ⁴ P16A ¹²	I/O	—	PD _S , RU
	X1D19	X1LB _{2b/5b} ¹¹ P4D ³ P8B ⁵ P16A ¹³	I/O	—	PD _S , RU
	X1D20	X1LB _{5b} ²¹ P4C ² P8B ⁶ P16A ¹⁴ P32A ³⁰	I/O	—	PD _S , RU
	X1D21	X1LB _{5b} ³¹ P4C ³ P8B ⁷ P16A ¹⁵ P32A ³¹	I/O	—	PD _S , RU
	X1D22	X1LB _{5b} ⁴¹ P1G ⁰	I/O	—	PD _S , RU
	X1D23	P1H ⁰	I/O	—	PD _S , RU
	X1D24	P1I ⁰	I/O	—	PD _S
	X1D25	P1J ⁰	I/O	—	PD _S
	X1D26	P4E ⁰ P8C ⁰ P16B ⁰	I/O	—	PD _S , RU
	X1D27	P4E ¹ P8C ¹ P16B ¹	I/O	—	PD _S , RU
	X1D28	P4F ⁰ P8C ² P16B ²	I/O	—	PD _S , RU
	X1D29	P4F ¹ P8C ³ P16B ³	I/O	—	PD _S , RU
	X1D30	P4F ² P8C ⁴ P16B ⁴	I/O	—	PD _S , RU
	X1D31	P4F ³ P8C ⁵ P16B ⁵	I/O	—	PD _S , RU
	X1D32	P4E ² P8C ⁶ P16B ⁶	I/O	—	PD _S , RU
	X1D33	P4E ³ P8C ⁷ P16B ⁷	I/O	—	PD _S , RU
	X1D34	P1K ⁰	I/O	—	PD _S , RU
	X1D35	P1L ⁰	I/O	—	PD _S , RU
	X1D36	P1M ⁰ P8D ⁰ P16B ⁸	I/O	—	PD _S , RU
	X1D37	P1N ⁰ P8D ¹ P16B ⁹	I/O	—	PD _S , RU
	X1D38	P1O ⁰ P8D ² P16B ¹⁰	I/O	—	PD _S , RU
	X1D39	P1P ⁰ P8D ³ P16B ¹¹	I/O	—	PD _S , RU
X1D40	P8D ⁴ P16B ¹²	I/O	—	PD _S , RU	

(continued)

Module	Name	Function	Type	Active	Properties
XCore 1 I/O	X1D41	P8D ⁵ P16B ¹³	I/O	—	PD _S , R _U
	X1D42	P8D ⁶ P16B ¹⁴	I/O	—	PD _S , R _U
	X1D43	P8D ⁷ P16B ¹⁵	I/O	—	PU _S , R _U
	X1D49	X1LC ^{4₀} _{5b} P32A ⁰	I/O	—	PD _S
	X1D50	X1LC ^{3₀} _{5b} P32A ¹	I/O	—	PD _S
	X1D51	X1LC ^{2₀} _{5b} P32A ²	I/O	—	PD _S
	X1D52	X1LC ^{1₀} _{2b/5b} P32A ³	I/O	—	PD _S
	X1D53	X1LC ^{0₀} _{2b/5b} P32A ⁴	I/O	—	PD _S
	X1D54	X1LC ^{0₁} _{2b/5b} P32A ⁵	I/O	—	PD _S
	X1D55	X1LC ^{1₁} _{2b/5b} P32A ⁶	I/O	—	PD _S
	X1D56	X1LC ^{2₁} _{5b} P32A ⁷	I/O	—	PD _S
	X1D57	X1LC ^{3₁} _{5b} P32A ⁸	I/O	—	PD _S
	X1D58	X1LC ^{4₁} _{5b} P32A ⁹	I/O	—	PD _S
	X1D61	X1LD ^{4₀} _{5b} P32A ¹⁰	I/O	—	PD _S
	X1D62	X1LD ^{3₀} _{5b} P32A ¹¹	I/O	—	PD _S
	X1D63	X1LD ^{2₀} _{5b} P32A ¹²	I/O	—	PD _S
	X1D64	X1LD ^{1₀} _{2b/5b} P32A ¹³	I/O	—	PD _S
	X1D65	X1LD ^{0₀} _{2b/5b} P32A ¹⁴	I/O	—	PD _S
	X1D66	X1LD ^{0₁} _{2b/5b} P32A ¹⁵	I/O	—	PD _S
	X1D67	X1LD ^{1₁} _{2b/5b} P32A ¹⁶	I/O	—	PD _S
X1D68	X1LD ^{2₁} _{5b} P32A ¹⁷	I/O	—	PD _S	
X1D69	X1LD ^{3₁} _{5b} P32A ¹⁸	I/O	—	PD _S	
X1D70	X1LD ^{4₁} _{5b} P32A ¹⁹	I/O	—	PD _S	
XCore 2 I/O	X2D00	P1A ⁰	I/O	—	PD _S
	X2D01	X2LA ^{4₁} _{5b} P1B ⁰	I/O	—	PD _S
	X2D02	X2LA ^{3₁} _{5b} P4A ⁰ P8A ⁰ P16A ⁰ P32A ²⁰	I/O	—	PD _S , R _U
	X2D03	X2LA ^{2₁} _{5b} P4A ¹ P8A ¹ P16A ¹ P32A ²¹	I/O	—	PD _S , R _U
	X2D04	X2LA ^{1₁} _{2b/5b} P4B ⁰ P8A ² P16A ² P32A ²²	I/O	—	PD _S , R _U
	X2D05	X2LA ^{0₁} _{2b/5b} P4B ¹ P8A ³ P16A ³ P32A ²³	I/O	—	PD _S , R _U
	X2D06	X2LA ^{0₀} _{2b/5b} P4B ² P8A ⁴ P16A ⁴ P32A ²⁴	I/O	—	PD _S , R _U
	X2D07	X2LA ^{1₀} _{2b/5b} P4B ³ P8A ⁵ P16A ⁵ P32A ²⁵	I/O	—	PD _S , R _U
	X2D08	X2LA ^{2₀} _{5b} P4A ² P8A ⁶ P16A ⁶ P32A ²⁶	I/O	—	PD _S , R _U
	X2D09	X2LA ^{3₀} _{5b} P4A ³ P8A ⁷ P16A ⁷ P32A ²⁷	I/O	—	PD _S , R _U
	X2D10	X2LA ^{4₀} _{5b} P1C ⁰	I/O	—	PD _S
	X2D11	P1D ⁰	I/O	—	PD _S
	X2D12	P1E ⁰	I/O	—	PD _S , R _U
	X2D13	X2LB ^{4₁} _{5b} P1F ⁰	I/O	—	PD _S , R _U
	X2D14	X2LB ^{3₁} _{5b} P4C ⁰ P8B ⁰ P16A ⁸ P32A ²⁸	I/O	—	PD _S , R _U
	X2D15	X2LB ^{2₁} _{5b} P4C ¹ P8B ¹ P16A ⁹ P32A ²⁹	I/O	—	PD _S , R _U
	X2D16	X2LB ^{1₁} _{2b/5b} P4D ⁰ P8B ² P16A ¹⁰	I/O	—	PD _S , R _U
	X2D17	X2LB ^{0₁} _{2b/5b} P4D ¹ P8B ³ P16A ¹¹	I/O	—	PD _S , R _U
	X2D18	X2LB ^{0₀} _{2b/5b} P4D ² P8B ⁴ P16A ¹²	I/O	—	PD _S , R _U
X2D19	X2LB ^{1₀} _{2b/5b} P4D ³ P8B ⁵ P16A ¹³	I/O	—	PD _S , R _U	

(continued)

Module	Name	Function	Type	Active	Properties
XCore 2 I/O	X2D20	X2LB _{5b} ^{2o} P4C ² P8B ⁶ P16A ¹⁴ P32A ³⁰	I/O	—	PD _S , RU
	X2D21	X2LB _{5b} ^{3o} P4C ³ P8B ⁷ P16A ¹⁵ P32A ³¹	I/O	—	PD _S , RU
	X2D22	X2LB _{5b} ^{4o} P1G ⁰	I/O	—	PD _S , RU
	X2D23	P1H ⁰	I/O	—	PD _S , RU
	X2D24	P1I ⁰	I/O	—	PD _S
	X2D25	P1J ⁰	I/O	—	PD _S
	X2D26	P4E ⁰ P8C ⁰ P16B ⁰	I/O	—	PD _S , RU
	X2D27	P4E ¹ P8C ¹ P16B ¹	I/O	—	PD _S , RU
	X2D28	P4F ⁰ P8C ² P16B ²	I/O	—	PD _S , RU
	X2D29	P4F ¹ P8C ³ P16B ³	I/O	—	PD _S , RU
	X2D30	P4F ² P8C ⁴ P16B ⁴	I/O	—	PD _S , RU
	X2D31	P4F ³ P8C ⁵ P16B ⁵	I/O	—	PD _S , RU
	X2D32	P4E ² P8C ⁶ P16B ⁶	I/O	—	PD _S , RU
	X2D33	P4E ³ P8C ⁷ P16B ⁷	I/O	—	PD _S , RU
	X2D34	P1K ⁰	I/O	—	PD _S
	X2D35	P1L ⁰	I/O	—	PD _S
	X2D36	P1M ⁰ P8D ⁰ P16B ⁸	I/O	—	PD _S
	X2D37	P1N ⁰ P8D ¹ P16B ⁹	I/O	—	PD _S , RU
	X2D38	P1O ⁰ P8D ² P16B ¹⁰	I/O	—	PD _S , RU
	X2D39	P1P ⁰ P8D ³ P16B ¹¹	I/O	—	PD _S , RU
	X2D40	P8D ⁴ P16B ¹²	I/O	—	PD _S , RU
	X2D41	P8D ⁵ P16B ¹³	I/O	—	PD _S , RU
	X2D42	P8D ⁶ P16B ¹⁴	I/O	—	PD _S , RU
	X2D43	P8D ⁷ P16B ¹⁵	I/O	—	PU _S , RU
	X2D49	X2LC _{5b} ⁴ⁱ P32A ⁰	I/O	—	PD _S
	X2D50	X2LC _{5b} ³ⁱ P32A ¹	I/O	—	PD _S
	X2D51	X2LC _{5b} ²ⁱ P32A ²	I/O	—	PD _S
	X2D52	X2LC _{2b/5b} ¹ⁱ P32A ³	I/O	—	PD _S
	X2D53	X2LC _{2b/5b} ⁰ⁱ P32A ⁴	I/O	—	PD _S
	X2D54	X2LC _{2b/5b} ^{0o} P32A ⁵	I/O	—	PD _S
	X2D55	X2LC _{2b/5b} ^{1o} P32A ⁶	I/O	—	PD _S
	X2D56	X2LC _{5b} ^{2o} P32A ⁷	I/O	—	PD _S
	X2D57	X2LC _{5b} ^{3o} P32A ⁸	I/O	—	PD _S
	X2D58	X2LC _{5b} ^{4o} P32A ⁹	I/O	—	PD _S
	X2D61	X2LD _{5b} ⁴ⁱ P32A ¹⁰	I/O	—	PD _S
	X2D62	X2LD _{5b} ³ⁱ P32A ¹¹	I/O	—	PD _S
	X2D63	X2LD _{5b} ²ⁱ P32A ¹²	I/O	—	PD _S
	X2D64	X2LD _{2b/5b} ¹ⁱ P32A ¹³	I/O	—	PD _S
	X2D65	X2LD _{2b/5b} ⁰ⁱ P32A ¹⁴	I/O	—	PD _S
	X2D66	X2LD _{2b/5b} ^{0o} P32A ¹⁵	I/O	—	PD _S
	X2D67	X2LD _{2b/5b} ^{1o} P32A ¹⁶	I/O	—	PD _S
	X2D68	X2LD _{5b} ^{2o} P32A ¹⁷	I/O	—	PD _S
	X2D69	X2LD _{5b} ^{3o} P32A ¹⁸	I/O	—	PD _S

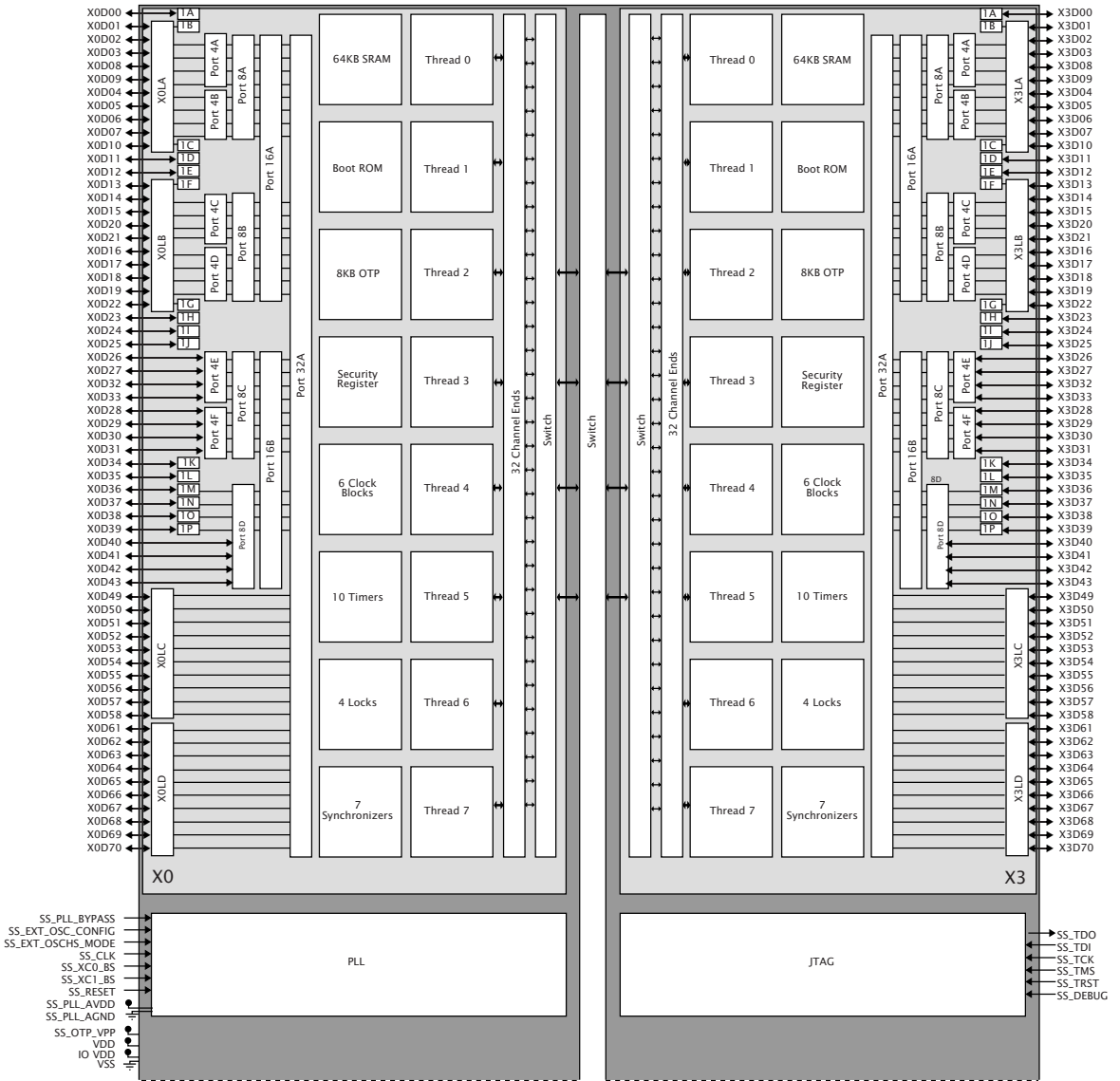
(continued)

Module	Name	Function	Type	Active	Properties	
XCore 2 I/O	X2D70	X2LD ₄₀ ⁰ P32A ¹⁹	I/O	—	PD _S	
	X3D00	P1A ⁰	I/O	—	PD _S	
	X3D01	X3LA _{3b} ⁴⁰ P1B ⁰	I/O	—	PD _S	
	X3D02	X3LA _{3b} ³⁰ P4A ⁰ P8A ⁰ P16A ⁰ P32A ²⁰	I/O	—	PD _S , R _U	
	X3D03	X3LA _{3b} ²⁰ P4A ¹ P8A ¹ P16A ¹ P32A ²¹	I/O	—	PD _S , R _U	
	X3D04	X3LA _{2b/5b} ¹⁰ P4B ⁰ P8A ² P16A ² P32A ²²	I/O	—	PD _S , R _U	
	X3D05	X3LA _{2b/5b} ⁰⁰ P4B ¹ P8A ³ P16A ³ P32A ²³	I/O	—	PD _S , R _U	
	X3D06	X3LA _{2b/5b} ⁰¹ P4B ² P8A ⁴ P16A ⁴ P32A ²⁴	I/O	—	PD _S , R _U	
	X3D07	X3LA _{2b/5b} ¹¹ P4B ³ P8A ⁵ P16A ⁵ P32A ²⁵	I/O	—	PD _S , R _U	
	X3D08	X3LA _{3b} ²¹ P4A ² P8A ⁶ P16A ⁶ P32A ²⁶	I/O	—	PD _S , R _U	
	X3D09	X3LA _{3b} ³¹ P4A ³ P8A ⁷ P16A ⁷ P32A ²⁷	I/O	—	PD _S , R _U	
	X3D10	X3LA _{3b} ⁴¹ P1C ⁰	I/O	—	PD _S	
	X3D11	P1D ⁰	I/O	—	PD _S	
	X3D12	P1E ⁰	I/O	—	PD _S , R _U	
	X3D13	X3LB _{3b} ⁴⁰ P1F ⁰	I/O	—	PD _S , R _U	
	X3D14	X3LB _{3b} ³⁰ P4C ⁰ P8B ⁰ P16A ⁸ P32A ²⁸	I/O	—	PD _S , R _U	
	X3D15	X3LB _{3b} ²⁰ P4C ¹ P8B ¹ P16A ⁹ P32A ²⁹	I/O	—	PD _S , R _U	
	X3D16	X3LB _{2b/5b} ¹⁰ P4D ⁰ P8B ² P16A ¹⁰	I/O	—	PD _S , R _U	
	X3D17	X3LB _{2b/5b} ⁰⁰ P4D ¹ P8B ³ P16A ¹¹	I/O	—	PD _S , R _U	
	X3D18	X3LB _{2b/5b} ⁰¹ P4D ² P8B ⁴ P16A ¹²	I/O	—	PD _S , R _U	
	X3D19	X3LB _{2b/5b} ¹¹ P4D ³ P8B ⁵ P16A ¹³	I/O	—	PD _S , R _U	
	XCore 3 I/O	X3D20	X3LB _{3b} ²¹ P4C ² P8B ⁶ P16A ¹⁴ P32A ³⁰	I/O	—	PD _S , R _U
		X3D21	X3LB _{3b} ³¹ P4C ³ P8B ⁷ P16A ¹⁵ P32A ³¹	I/O	—	PD _S , R _U
		X3D22	X3LB _{3b} ⁴¹ P1G ⁰	I/O	—	PD _S , R _U
		X3D23	P1H ⁰	I/O	—	PD _S , R _U
X3D24		P1I ⁰	I/O	—	PD _S	
X3D25		P1J ⁰	I/O	—	PD _S	
X3D26		P4E ⁰ P8C ⁰ P16B ⁰	I/O	—	PD _S , R _U	
X3D27		P4E ¹ P8C ¹ P16B ¹	I/O	—	PD _S , R _U	
X3D28		P4F ⁰ P8C ² P16B ²	I/O	—	PD _S , R _U	
X3D29		P4F ¹ P8C ³ P16B ³	I/O	—	PD _S , R _U	
X3D30		P4F ² P8C ⁴ P16B ⁴	I/O	—	PD _S , R _U	
X3D31		P4F ³ P8C ⁵ P16B ⁵	I/O	—	PD _S , R _U	
X3D32		P4E ² P8C ⁶ P16B ⁶	I/O	—	PD _S , R _U	
X3D33		P4E ³ P8C ⁷ P16B ⁷	I/O	—	PD _S , R _U	
X3D34		P1K ⁰	I/O	—	PD _S	
X3D35		P1L ⁰	I/O	—	PD _S	
X3D36		P1M ⁰ P8D ⁰ P16B ⁸	I/O	—	PD _S	
X3D37		P1N ⁰ P8D ¹ P16B ⁹	I/O	—	PD _S , R _U	
X3D38		P1O ⁰ P8D ² P16B ¹⁰	I/O	—	PD _S , R _U	
X3D39		P1P ⁰ P8D ³ P16B ¹¹	I/O	—	PD _S , R _U	
X3D40		P8D ⁴ P16B ¹²	I/O	—	PD _S , R _U	
X3D41		P8D ⁵ P16B ¹³	I/O	—	PD _S , R _U	

(continued)

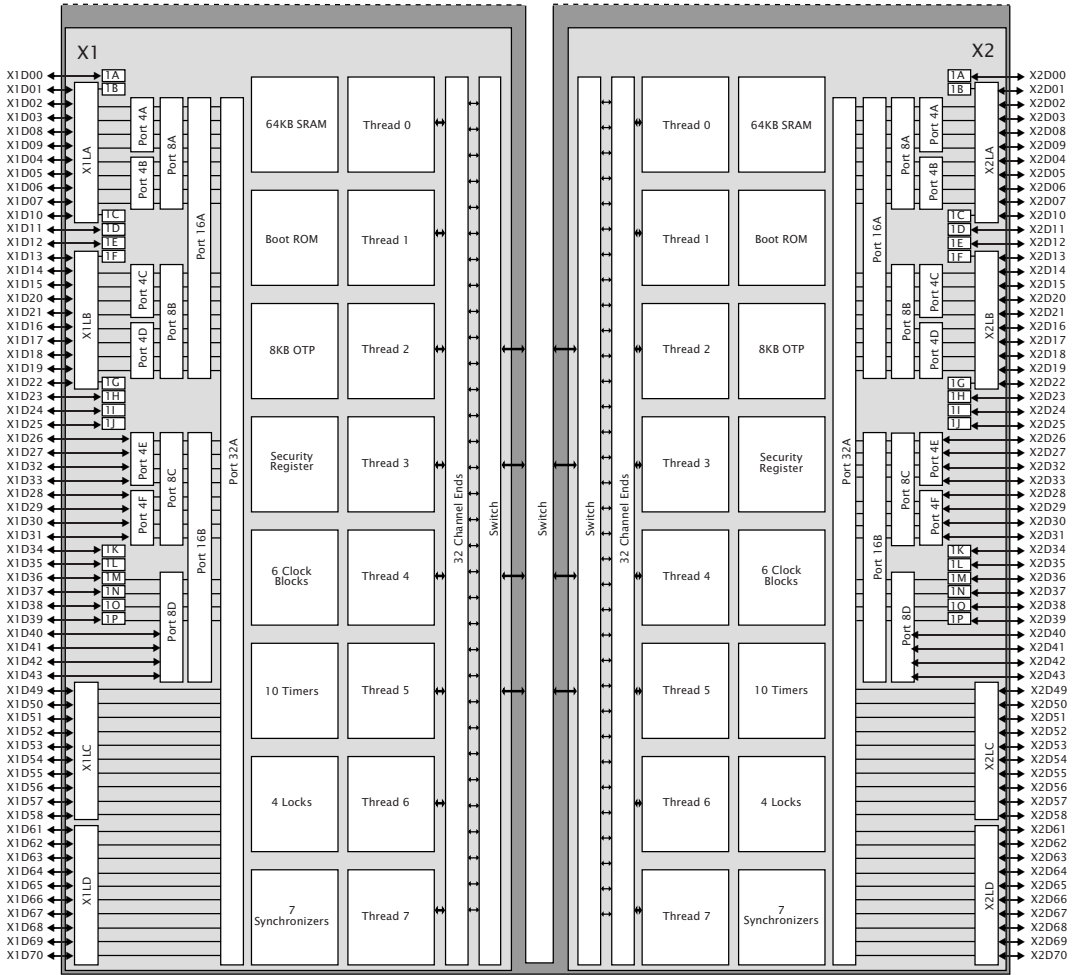
Module	Name	Function	Type	Active	Properties	
XCore 3 I/O	X3D42		P8D ⁶ P16B ¹⁴	I/O	—	PD _S , R _U
	X3D43		P8D ⁷ P16B ¹⁵	I/O	—	PU _S , R _U
	X3D49	X3LC ^{4o} _{5b}	P32A ⁰	I/O	—	PD _S
	X3D50	X3LC ^{3o} _{5b}	P32A ¹	I/O	—	PD _S
	X3D51	X3LC ^{2o} _{5b}	P32A ²	I/O	—	PD _S
	X3D52	X3LC ^{1o} _{2b/5b}	P32A ³	I/O	—	PD _S
	X3D53	X3LC ^{0o} _{2b/5b}	P32A ⁴	I/O	—	PD _S
	X3D54	X3LC ¹ⁱ _{2b/5b}	P32A ⁵	I/O	—	PD _S
	X3D55	X3LC ²ⁱ _{5b}	P32A ⁶	I/O	—	PD _S
	X3D56	X3LC ³ⁱ _{5b}	P32A ⁷	I/O	—	PD _S
	X3D57	X3LC ³ⁱ _{5b}	P32A ⁸	I/O	—	PD _S
	X3D58	X3LC ⁴ⁱ _{5b}	P32A ⁹	I/O	—	PD _S
	X3D61	X3LD ^{4o} _{5b}	P32A ¹⁰	I/O	—	PD _S
	X3D62	X3LD ^{3o} _{5b}	P32A ¹¹	I/O	—	PD _S
	X3D63	X3LD ^{2o} _{5b}	P32A ¹²	I/O	—	PD _S
	X3D64	X3LD ^{1o} _{2b/5b}	P32A ¹³	I/O	—	PD _S
	X3D65	X3LD ^{0o} _{2b/5b}	P32A ¹⁴	I/O	—	PD _S
	X3D66	X3LD ⁰ⁱ _{2b/5b}	P32A ¹⁵	I/O	—	PD _S
	X3D67	X3LD ¹ⁱ _{2b/5b}	P32A ¹⁶	I/O	—	PD _S
	X3D68	X3LD ²ⁱ _{5b}	P32A ¹⁷	I/O	—	PD _S
X3D69	X3LD ³ⁱ _{5b}	P32A ¹⁸	I/O	—	PD _S	
X3D70	X3LD ⁴ⁱ _{5b}	P32A ¹⁹	I/O	—	PD _S	
Reserved	SS_PLL_LOCK	Reserved (do not connect)	Output	—	PD	
	SS_BYPASS_PLL_LOCK	Reserved (tie to VSS)	Input	—	PD	
	SS_PLL_TEST	Reserved (do not connect)	Input	—		
	SS_OTP_VREF	Reserved (do not connect)	Output	—		
	SS_OTP_PWR_UP	Reserved (do not connect)	Output	—		
	SS_TEST_ENA	Reserved (tie to VSS)	Input	—	PD	
	SS_XC_CFG[1:0]	Reserved (tie to IO VDD)	Input	—	PD	
	SS_RESERVED	Reserved (do not connect)	Output	—		
	NC	Not connected	I/O	—		

4 Block Diagram



X1 and X2 shown on following page

X0 and X3 shown on previous page



5 Product Overview

The XMOS XS1-G04B-FB512 is a powerful device that provides a simple design process and highly-flexible solution to many applications. The device consists of four XCores, each comprising an event-driven processor with tightly integrated I/O and on-chip memory. The processors run multiple tasks simultaneously using hardware threads, each of which is guaranteed a slice of processing power and can execute computational code, control software and I/O interfaces. Threads use channels to exchange data within a core or across cores. The cores are connected via an integrated switch network, which uses a proprietary physical layer protocol, and which can also be used to add additional resources to a design. The I/O pins are driven using intelligent ports that can serialize data, interpret strobe signals and wait for scheduled times or events, making the device ideal for real-time control applications.

The device can be configured using a set of software components that are rapidly customized and composed. XMOS provides source code libraries for many standard components. The device can be programmed using high-level languages such as C/C++ and the XMOS-originated XC language. XC provides extensions to C that simplify the control over concurrency, I/O and time.

The XMOS toolchain includes compilers, a simulator, debugger and static timing analyzer. The combination of real-time software, a compiler and timing analyzer enables the programmer to close timings on components of the design without a detailed understanding of the hardware characteristics.

5.1 Threads, Synchronizers and Locks

Each XCore has up to eight active threads, which issue instructions down a shared four-stage pipeline. Instructions from the active threads are issued round-robin. If up to four threads are active, each thread is allocated a quarter of the processing cycles. If more than four threads are active, each thread is allocated at least $1/n$ cycles (for n threads). Figure 1 shows the guaranteed thread performance depending on the number of threads used.

Figure 1:
Thread
performance

Speed Grade	Minimum MIPS per thread (for n threads)							
	1	2	3	4	5	6	7	8
400 MHz	100	100	100	100	80	67	57	50

There is no way that the performance of a thread can be reduced below these predicted levels. Because threads may be delayed on I/O, however, their unused processor cycles can be taken by other threads. This means that for more than four threads, the performance of each thread is often higher than the predicted minimum.

5.2 Channel Ends, Links and Switch

Threads communicate using point-to-point connections formed between two channel ends. Between cores, channel communications are implemented over XMOS Links and routed through switches. The links operate in either 2bit/direction or 5bit/direction mode, depending on the amount of bandwidth required. Circuit switched, streaming and packet switched data can both be supported efficiently. Streams provide the fastest possible data rates between XCores (up to 250 MBit/s), but each stream requires a single link to be reserved between switches on two cores. All packet communications can be multiplexed onto a single link. A total of eight 5bit links are available between every pair of cores.

Information on the supported routing topologies that can be used to connect multiple devices together can be found in the XS1-G Link Performance and Design Guides, document number [X2215](#).

5.3 Ports and Clock Blocks

Ports provide an interface between the threads and I/O pins. The operation of each port is synchronized to a clock block. A clock block can be connected to an external clock input, or it can be run from the divided reference clock. A clock block can also output its signal to a pin. On reset, each port is connected to clock block 0, which runs from the reference clock.

The ports and links are multiplexed, allowing the pins to be configured for use by ports of different widths or links. If an XMOS Link is enabled, the pins of the underlying ports are disabled. If a port is enabled, it overrules ports with higher widths that share the same pins. The pins on the wider port that are not shared remain available for use when the narrower port is enabled. Ports always operate at their specified width, even if they share pins with another port.

5.4 Timers

Timers are 32-bit counters that are relative to the reference clock. A timer is defined to tick every 10 ns. This value is derived from the reference clock, which is configured to tick at 100 MHz by default.

5.5 SRAM

Each XCore integrates a single 64 KB SRAM bank for both instructions and data. All internal memory is 32 bits wide, and instructions are either 16-bit or 32-bit. Byte (8-bit), half-word (16-bit) or word (32-bit) accesses are supported and are executed within one core clock cycle. There is no dedicated external memory interface, although data memory can be expanded through appropriate use of the ports.

5.6 OTP

Each XCore integrates 8KB one-time programmable (OTP) memory along with a security register that configures system wide security features. The OTP holds data in 2k rows x 32-bit configuration which can be used to implement secure bootloaders and store encryption keys. Data for the security register is loaded from the OTP on power up.

5.6.1 Security Register

The security register enables the following security features:

- **Secure Boot:** The XCore is forced to boot from address 0 of the OTP, allowing the XCore boot ROM to be bypassed (see §5.8). This feature can be used to implement a secure bootloader which loads an encrypted image from external flash, decrypts and CRC checks it with the processor, and discontinues the boot process if the decryption or CRC check fails. XMOS provides a default secure bootloader that can be written to the OTP along with secret decryption keys.
- **Disable JTAG:** The JTAG interface is disabled, making it impossible for the processor state or memory content to be accessed via the JTAG interface.
- **Disable Link access:** Other processors are forbidden access to the processor state via the system switch.
Disabling both JTAG and Link access transforms a core into a “secure island” with other cores free for non-secure user application code.
- **Disable Global Debug access:** Disables access to the SS_DEBUG pin.
- **OTP Master and Sector Lock:** Further access to the OTP is prevented by setting the master lock. Locks can also be applied to each of the four OTP sectors individually.

These security features provide a strong level of protection and are sufficient for providing strong IP security.

5.7 PLL

The PLL is used to generate all on-chip clocks. SS_CLK is the reference clock input. It should be supplied with a clock with monotonic rising edges and should be stable before SS_RESET is taken high.

Many standard clock frequencies can be used with appropriate settings configured into the PLL. At boot time, before the PLL can be reconfigured, the PLL multiplier is set using the pins specified in the table in Figure 2. The PLL increases the clock frequency to the core frequency used to run the processor data path and the switch.

Figure 2:
PLL boot modes

SS_PLL_BYPASS	SS_EXT_OSC_CONFIG	SS_EXT_OSC_HS_MODE	PLL multiplier ratio	CLK Input (MHz)	Boot Frequency (MHz)
0	0	X	20	12.5-20	250-400
0	1	0	5	25-50	125-250
0	1	1	2.5	50-100	125-250
1	X	X	0.5	<100	<50



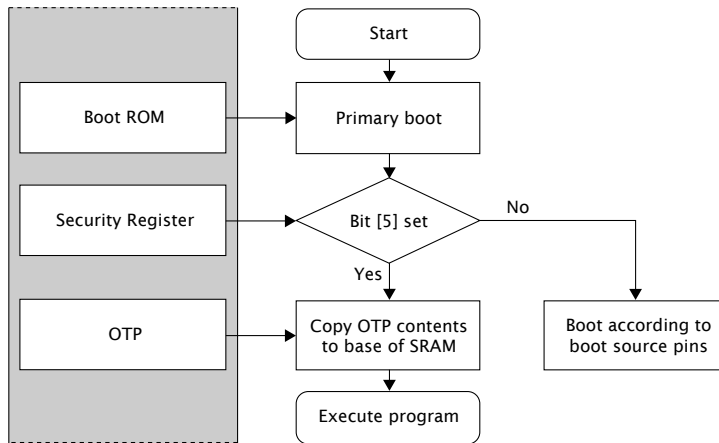
Clock frequencies of between 20 MHz and 25 MHz are not supported.

Further details on configuring the clock can be found in the XS1-G Clock Frequency Control document, document number [X140](#).

5.8 Boot ROM

The boot procedure is illustrated in Figure 3. If bit 5 of the security register is set (see §5.6.1), the device boots from OTP. Otherwise, SS_XC0_BS[1:0] controls the boot source.

Figure 3:
Boot procedure



SS_XC0_BS[1:0] operates as an input prior to the de-assertion of SS_RESET. The device latches the value driven onto these pins on the rising edge (de-assertion) of SS_RESET. The value driven should be static and configured using pullup or pulldown resistors, as the device drives the boot status on these pins after reset. The value configured on these two pins defines the boot mode, as described in Figure 4.

After reset is complete, SS_XC0_BS[3:0] becomes an output and indicates the boot mode, as described in Figure 5. SS_XC1_BS[3:0] also becomes an output after reset, indicating the core 1 boot mode. SS_XCn_BS[3] indicates that the boot on core n has completed.

SS_XC0_BS[1]	SS_XC0_BS[0]	Boot Mode		
0	0	Reserved		
0	1	Reserved		
1	0	X0 boots from SPI, X1..X3 from channel end 0 via X0		
		Pin ^A	Signal	Description
		X0D00	MISO	Master In Slave Out
		X0D01	SS	Slave Select
		X0D10	SCLK	Clock
		X0D11	MOSI	Master Out Slave In
1	1	None: Device waits to be booted via JTAG		

Figure 4:
Boot source pins

A The pins used for SPI boot are hardcoded in the boot ROM and cannot be changed. An SPI boot program can be burned into OTP and used at any time.

SS_XCn_BS[2]	SS_XCn_BS[1]	SS_XCn_BS[0]	Boot Mode
0	0	1	Xn booted from OTP
0	1	0	Reserved
0	1	1	Xn booted from chanend 0
1	0	0	Xn booted from SPI
1	0	1	Xn booted from JTAG

Figure 5:
Boot mode indication pins

5.9 JTAG

The JTAG module can be used for loading programs, boundary scan testing, in-circuit source-level debugging and programming the OTP memory.

The JTAG chain structure is illustrated in Figure 6. Directly after reset, two TAP controllers are present in the JTAG chain for each XCore: the boundary scan TAP and the chip TAP. The boundary scan TAP is a standard 1149.1 compliant TAP that can be used for boundary scan of the I/O pins. The chip TAP provides access into the XCore, switch and OTP for loading code and debugging.

The SS_TRST pin must be asserted low during and after power up for 100 ns. If JTAG is not required, the SS_TRST pin can be tied to ground with a 1k resistor to hold the JTAG module in reset.

The JTAG device identification register can be read by using the ICODE instruction. Its contents are specified in Figure 7.

Figure 7:
ICODE return value

Device Identification Register																Bit31	Bit0																
Version				Part Number								Manufacturer Identity				1																	
0	0	0	0	0	0	0	0	0	0	0	1	0	0	0	0	0	1	1	0	0	0	1	1	0	0	1	1						
0				0				1				0				4				6				3				3					

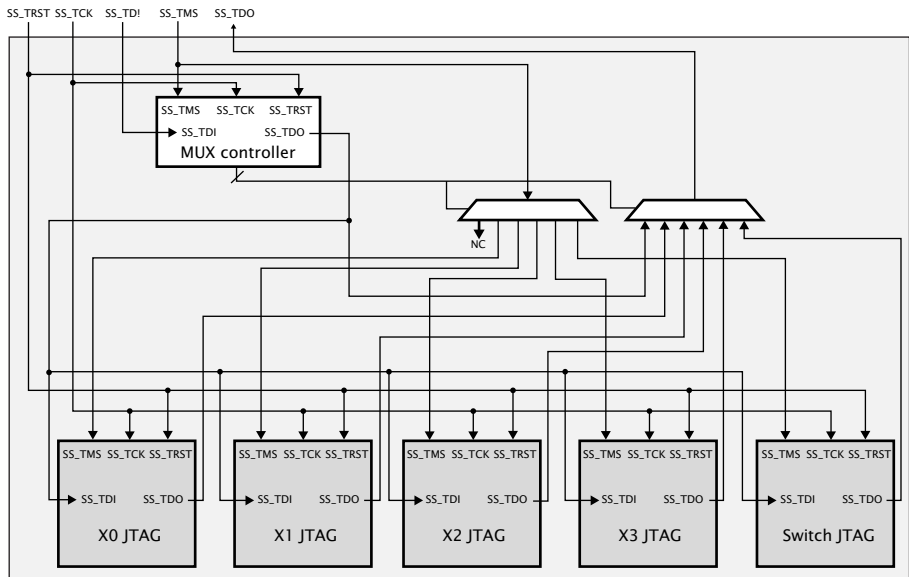


Figure 6:
JTAG chain structure

The JTAG usercode register can be read by using the USERCODE instruction. Its contents are specified in Figure 8. The OTP User ID field is read from bits [22:31] of the security register on XCore 0 (all zero on unprogrammed devices).

Figure 8:
USERCODE return value

Bit31		Usercode Register																												Bit0									
OTP User ID										Unused		Silicon Revision																											
0	0	0	0	0	0	0	0	0	0	0	0	1	0	1	0	0	0	0	0	0	0	0	0	0	0	0	0	0	0	0	0	0	0	0	0	0	0	0	0
0										2		0																0											

5.10 Power Supplies

The device has the following types of power supply pins:

- VDD pins for the chip core
- IO VDD pins for the I/O lines
- SS_PLL_AVDD pins for the PLL
- SS_OTP_VPP pins for faster programming the OTP (optional)

Several pins of each type are provided to minimize the effect of inductance within the package, all of which must be connected. The power supplies must be brought up monotonically and input voltages must not exceed specification at any time.

The VDD supply must ramp from 0V to its final value within 10 ms to ensure correct startup.

The IO VDD supply must ramp to its final value before VDD reaches 0.4 V.

The SS_PLL_AVDD supply should be separated from the other noisier supplies on the board. The PLL requires a very clean power supply, and a low pass filter (for example, a 4.7 Ω resistor and 1 μ F multi-layer ceramic capacitor) is recommended on this pin.

The SS_OTP_VPP supply can be optionally provided for faster OTP programming times, otherwise an internal charge pump is used.

The following ground pins are provided:

- PLL_AGND for PLL_AVDD
- GND for all other supplies

All ground pins must be connected directly to the board ground.

The VDD and IO VDD supplies should be decoupled close to the chip by several 100 nF low inductance multi-layer ceramic capacitors between the supplies and GND (for example, 4x100nF 0402 low inductance MLCCs per supply rail). The ground side of the decoupling capacitors should have as short a path back to the GND pins as possible. A bulk decoupling capacitor of at least 10 μ F should be placed on each of these supplies.

SS_RESET is an active-low asynchronous-assertion global reset signal. Following a reset, the PLL re-establishes lock after which the device boots up according to the boot mode (see §5.8). SS_RESET and must be asserted low during and after power up for 100 ns.

6 DC and Switching Characteristics

6.1 Operating Conditions

Symbol	Parameter	MIN	TYP	MAX	UNITS	Notes
VDD	Core DC supply voltage	0.95	1.00	1.05	V	
VDDIO	I/O DC supply voltage	3.00	3.30	3.60	V	
PLL_AVDD	PLL analog supply	0.95	1.00	1.05	V	
OTP_VPP	OTP external programming voltage (optional program only)	6.18	6.50	6.83	V	
CI	XCore I/O load capacitance			25	pF	
Ta	Ambient operating temperature (Commercial)	0		70	°C	
	Ambient operating temperature (Industrial)	-40		85	°C	
Tj	Junction temperature			125	°C	
Tstg	Storage temperature	-65		150	°C	

Figure 9:
Operating conditions

6.2 DC Characteristics

Symbol	Parameter	MIN	TYP	MAX	UNITS	Notes
V(IH)	Input high voltage	2.00		5.50	V	A, B
V(IL)	Input low voltage	-0.30		0.80	V	A, B
V(OH)	Output high voltage	2.40			V	A, B
V(OL)	Output low voltage			0.40	V	A, B
R(PU)	Pull-up resistance		100K		Ω	A, C

Figure 10:
DC characteristics

- A All pins except power supply pins.
- B Internal pull-up resistors are fitter to general-purpose I/O pins.
- C Use for unused I/O only. The internal pull-up resistor is not recommended as a substitute for an external pull-up resistor.

6.3 ESD Stress Voltage

Symbol	Parameter	MIN	TYP	MAX	UNITS	Notes
HBM	Human body model	-2.00		2.00	KV	
MM	Machine model	-200		200	V	

Figure 11:
ESD stress voltage

6.4 Reset Timing

Figure 12:
Reset timing

Symbol	Parameters	MIN	TYP	MAX	UNITS	Notes
T(RST)	Reset pulse width	100			ns	
T(PLLLOCK)	PLL lock			1	ms	
T(INIT)	Initialization time			<100	µs	A

A Shows the time taken to start booting after SS_RESET has gone high.

6.5 Quiescent Current

Figure 13:
Quiescent current

Symbol	Parameter	MIN	TYP	MAX	UNITS	Notes
I(DDCQ)	Quiescent VDD current		120		mA	
I(PLLQ)	Quiescent PLL current		4		mA	

6.6 Power Consumption

Figure 14:
Core currents

Symbol	Parameter	MIN	TYP	MAX	UNITS	Notes
PD	Core power dissipation		1.6		Watts	A, B, C, D

- A Use for budgetary purposes only.
- B Assumes typical core and I/O voltages operating at 400 MHz with nominal activity on all cores.
- C PD(TYP) value is the usage power consumption under typical operating conditions.
- D PD(TYP) value includes quiescent current.



The core power consumption of the device is highly application dependent and should be used for budgetary purposes only. More detailed power analysis can be found in the XS1-G Power Consumption document, document number [X1423](#).

6.7 Clock

Figure 15:
Clock

Symbol	Parameter	MIN	TYP	MAX	UNITS	Notes
f	Frequency	12.5	20	20	MHz	
SR	Slew rate	1		2	ns	
f(MAX)	System clock frequency			400	MHz	

Further details can be found in the XS1-G Clock Frequency Control document, document number [X140](#).

6.8 XCore I/O AC Characteristics

Figure 16:
I/O AC characteristics

Symbol	Parameter	MIN	TYP	MAX	UNITS	Notes
T(XOVALID)	Input data valid window	8			ns	
T(XOINVALID)	Output data invalid window	9			ns	
T(XIFMAX)	Rate at which data can be sampled with respect to an external clock			60	MHz	

The input valid window parameter relates to the capability of the device to capture data input to the chip with respect to an external clock source. It is calculated as the sum of the input setup time and input hold time with respect to the external clock as measured at the pins. The output invalid window specifies the time for which an output is invalid with respect to the external clock. Note that these parameters are specified as a window rather than absolute numbers since the device provides functionality to delay the incoming clock with respect to the incoming data.

Information on interfacing to high-speed synchronous interfaces can be found in the XS1 Port I/O Timing document, document number [X9122](#).

6.9 XMOS Link Performance

Figure 17:
Link performance

Symbol	Parameter	MIN	TYP	MAX	UNITS	Notes
B(2blinkP)	2b link bandwidth (packetized)			87	MBit/s	A, B
B(5blinkP)	5b link bandwidth (packetized)			217	MBit/s	A, B
B(2blinkS)	2b link bandwidth (streaming)			100	MBit/s	B
B(5blinkS)	5b link bandwidth (streaming)			250	MBit/s	B

A Assumes 32-byte packet in 3-byte header mode. Actual performance depends on size of the header and payload.

B 7.5 ns symbol time.

The asynchronous nature of links means that the relative phasing of SS_CLK clocks is not important in a multi-clock system, providing each meets the required stability criteria.

6.10 JTAG Timing

Figure 18:
JTAG timing

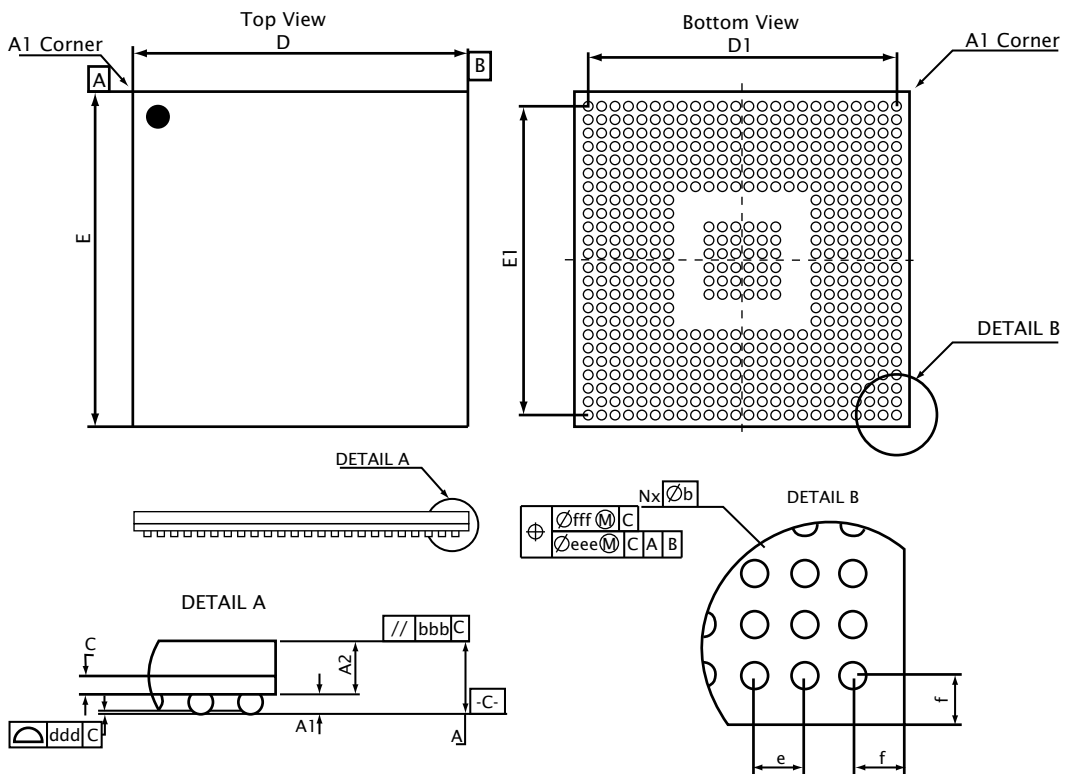
Symbol	Parameter	MIN	TYP	MAX	UNITS	Notes
T(TCK)	TCK period	30			ns	
T(SETUP)	TDO to TCK setup time	5			ns	A
T(HOLD)	TDO to TCK hold time			10	ns	A
T(DELAY)	TCK to output delay			15	ns	B

A Timing applies to SS_TMS, SS_TRST and SS_TDI inputs.

B Timing applies to SS_TDO output.

All JTAG operations are synchronous to SS_TCK apart from the global asynchronous reset SS_TRST.

7 Package Information



Dimensional Ref			
REF	Min	Nom	Max
A			1.6
A1	0.27		
A2	1.02	1.06	1.1
D		20.0	
D1		18.4	
E		20.0	
E1		18.4	
b		0.5	
c	0.32	0.36	0.40
e		0.8	
f		0.8	
m		24	
n		512	

Dimensional Tol	
aaa	0.15
bbb	0.10
ddd	0.20
eee	0.15
fff	0.08

Notes	
1.	All dimensions in mm.
2.	'e' represents the basic solder ball pitch.
3.	'm' represents the basic solder ball matrix size. 'n' is the number of attached solder balls.
4.	'b' is measurable at the maximum solder ball diameter parallel the primary datum – C –.
5.	Dimension 'aaa' is measured parallel to primary datum – C –.
6.	Primary datum – C – and the seating plane are defined by the spherical crowns of the solder balls.
7.	The package surface shall be matte finish charmillies 24 to 27.
8.	The over package thickness 'A' already considers collapse balls.

7.1 Part Marking

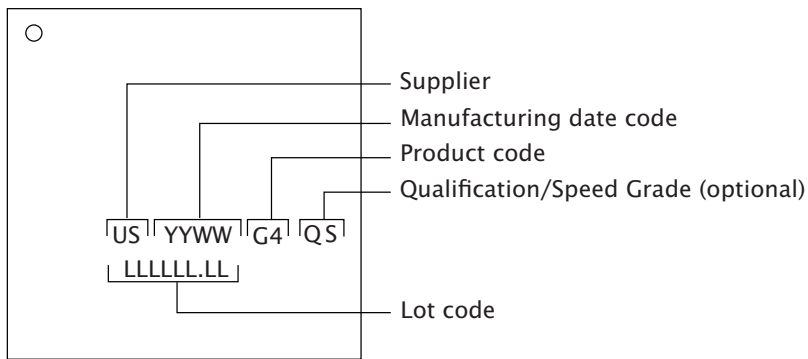


Figure 19:
Part marking scheme

8 Ordering Information

Figure 20:
Orderable part numbers

Product Code	Qualification	Speed Grade
XS1-G04B-FB512-C4	Commercial	400 MHz
XS1-G04B-FB512-I4	Industrial	400 MHz

9 Development Tools

XMOS provides a comprehensive suite of development tools. Source files, timing scripts and a board design file are input to the compiler toolchain which produces a binary executable. This executable file can be simulated, loaded onto the device and debugged over JTAG, programmed into flash memory on the board or written to OTP memory on the device. The tools can also encrypt the flash image and write the decryption key securely to OTP memory.

The tools can be driven from either a graphical development environment or the command line and are supported on Windows, Linux and MacOS X. The tools are available at no cost from xmos.com/tools. Information on using the tools is provided in a separate user guide, document number X1066.

10 Addendum: XMOS USB Interface

XMOS provides a low-level USB interface for connecting the device to a USB transceiver using the UTMI+ Low Pin Interface (ULPI). The ULPI signals must be connected to the pins named in Figure 21. Note also that some ports on the same

core are used internally and are not available for use when the USB driver is active (they are available otherwise).

Pin	Signal	Pin	Signal	Pin	Signal
XnD02	Unavailable	XnD16	ULPI_DATA[2]	XnD30	Unavailable
XnD03		XnD17	ULPI_DATA[3]	XnD31	
XnD04		XnD18	ULPI_DATA[4]	XnD32	
XnD05		XnD19	ULPI_DATA[5]	XnD33	
XnD06		XnD20	ULPI_DATA[6]	XnD37	
XnD07		XnD21	ULPI_DATA[7]	XnD38	
XnD08		XnD22	ULPI_DIR	XnD39	
XnD09		XnD23	ULPI_CLK	XnD40	
XnD12		ULPI_STP	XnD26	Unavailable	
XnD13	ULPI_NXT	XnD27	XnD42		
XnD14	ULPI_DATA[0]	XnD28	XnD43		
XnD15	ULPI_DATA[1]	XnD29			

Figure 21:
ULPI signals provided by the XMOS USB driver

11 Associated Design Documentation

Document Title	Information	Document Number
XS1-G Hardware Design Checklist	Board design checklist	X0124
Device Package User Guide	Land pattern, solder paste, ground recommendations	X4979
Estimating Power Consumption For XS1-G Devices	Power consumption	X1423
Programming XC on XMOS Devices	Timers, ports, clocks, threads and channels	X1066
XMOS Tools User Guide	Compilers, assembler and linker/mapper Timing analyzer and debugger Flash and OTP programming utilities	X1089

- ▶ Example schematic diagrams detailing minimal system configurations are available from <http://www.xmos.com/support/silicon>.

12 Related Documentation

Document Title	Information	Document Number
The XMOS XS1 Architecture	ISA manual	X0102
XS1 Port I/O Timing	Port timings	X9122
XS1-G System Specification	Link, switch and system information	X2725
XS1-G Link Performance and Design Guidelines	Link timings	X2215
XS1-G Clock Frequency Control	Advanced clock control	X1340

13 Revision History

The page numbers in this section refer to this document.

Rev. 1066E-10/11

1. Updated “Part Marking” on page 25.

Rev. 1066D-05/11

1. Revised format.
2. Standard XMOS Link format XnLn on page 4.

Rev. 1066C-01/11

1. Replaced “Port Pin Table” with “Signal Description” on page 4.
2. Updated “ULPI” on page 25 with set of disabled signals.
3. Removed “Device Configuration”.
4. Added “Associated Design Documentation” on page 26.
5. Clock frequencies of between 20 MHz and 25 MHz are **not** supported.
6. Removed documentation of numerous JTAG commands, which were incorrect.
7. Updated Figure 10 in “DC Characteristics” on page 20 by removing rows for I(OH) and I(OL).
8. Updated Figure 17 in “XMOS Link Performance” on page 22 by removing rows for B(2link) and B(5link), and adding rows for B(2linkP), B(5linkP), B(2linkS) and B(5linkS).
9. Renamed IO VSS signals to VSS.

Rev. 1066B-06/10

1. Updated pin list on page 4.
2. Updated “Power Consumption” on page 21.

Rev. 1066A-12/09

1. Revised format.



Copyright © 2010 XMOS Limited, All Rights Reserved.

XMOS Limited is the owner or licensee of this design, code, or Information (collectively, the "Information") and is providing it to you "AS IS" with no warranty of any kind, express or implied and shall have no liability in relation to its use. XMOS Limited makes no representation that the Information, or any particular implementation thereof, is or will be free from any claims of infringement and again, shall have no liability in relation to any such claims.

XMOS and the XMOS logo are registered trademarks of XMOS Limited in the United Kingdom and other countries, and may not be used without written permission. All other trademarks are property of their respective owners. Where those designations appear in this book, and XMOS was aware of a trademark claim, the designations have been printed with initial capital letters or in all capitals.
