

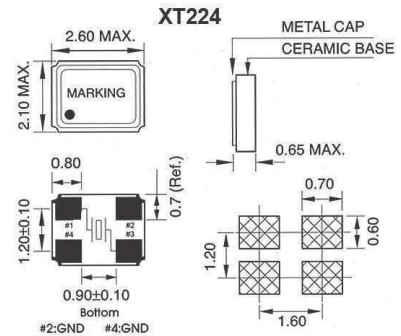
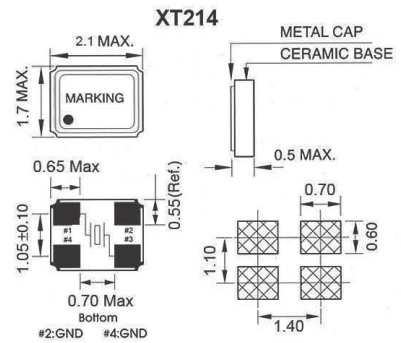
● SPECIFICATION

Type	XT214	XT224
Frequency Range	20.000 - 54.000MHz	16.000 - 50.000MHz
Frequency Tolerance	± 10 , 20 , 30 PPM (at 25°C)	
Frequency Stability	± 10 , 20 , 30 PPM (Ref. to 25°C)	
Operation Temperature	-10°C ~ +70°C by Customer requirement	
Storage Temperature	-40°C ~ +85°C	
Load Capacitance	Series,9pF,10pF,12pF,15pF,18pF,20pF,30pF or Special requirement	
Drive Level	15,30,50,100,200,500 μW or Special requirement	
Series Resistance	See below	
Shunt Capacitance	5pF max	
Aging	±3PPM/year	

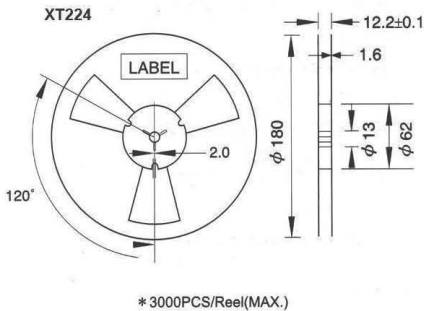
● EQUIVALENT SERIES RESISTANCE

Frequency MHz	Model	XT214	XT224
12.000-29.999	Fundamental		100Ω max.
30.000-50.000	Fundamental		60Ω max.
20.000-25.000	Fundamental	200Ω max.	
25.001-40.000	Fundamental	100Ω max.	
40.001-54.000	Fundamental	60Ω max.	

● DIMENSIONS(mm)



● REEL PACKING(mm)



● TAPE SPECIFICATION(mm)

