

The XT Series is a ceramic trap for TV 4.5 / 5.5 / 6.0 / 6.5 MHz (TV SIF Stage Use).

Request a Sample

## OPERATING CONDITIONS / ELECTRICAL CHARACTERISTICS

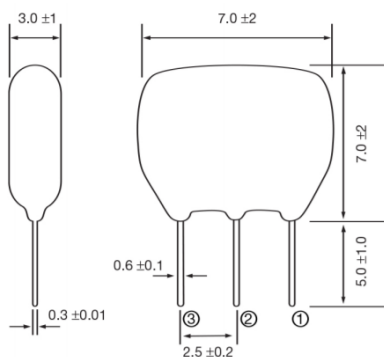


Part Number	Trap Attenuation (at normal center frequency) (dB) Min.	30 dB Bandwidth KHz Min.
XT4.5MB	35(45)	50(80)
XT5.5MB	35(45)	50(80)
XT6.0MB	35(45)	70(120)
XT6.5MB	35(45)	70(120)

The level @ 1 MHz shall be the (0 dB) reference. ( ) = Typical Values

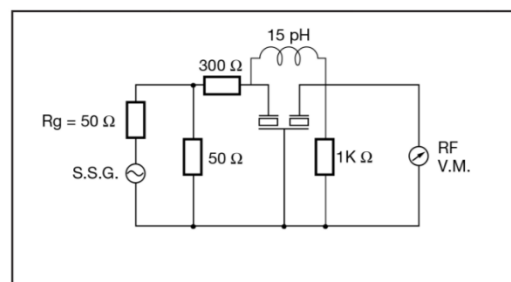
- Wide Bandwidth
- RoHS Compliant (Note 7 Exemption)
- Low insertion loss
- Excellent spurious suppression characteristics.

## Package Dimensions (mm)

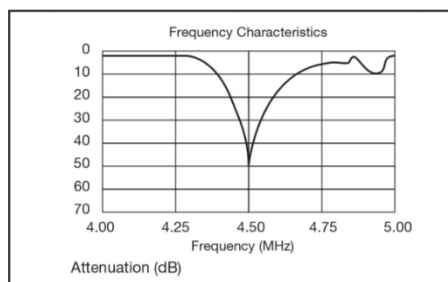


**Figure 1) XT Series Side and End views**

Pin Connections	
#1	Input
#2	Ground
#3	Output



**Figure 2) XT Series Measuring Circuit**



**Figure 3) XT Series Characteristics**