

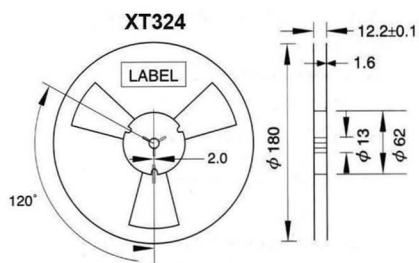
● SPECIFICATION

Type	XT324	XT424
Frequency Range	12.000 - 50.000MHz	12.000 - 50.000MHz
Frequency Tolerance	± 10 , 20 , 30 PPM (at 25°C)	
Frequency Stability	± 10 , 20 , 30 PPM (Ref. to 25°C)	
Operation Temperature	-10°C ~ +70°C by Customer requirement	
Storage Temperature	-40°C ~ +85°C	
Load Capacitance	Series,9pF,10pF,12pF,15pF,18pF,20pF,30pF or Special requirement	
Drive Level	15,30,50,100,200,500 μW or Special requirement	
Series Resistance	See below	
Shunt Capacitance	5pF max	
Aging	±3PPM/year	

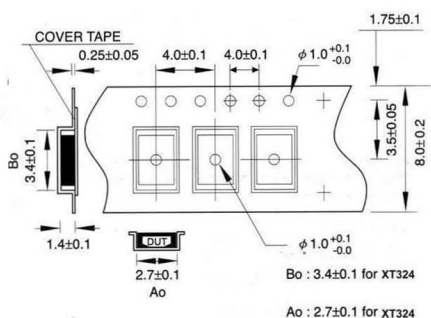
● EQUIVALENT SERIES RESISTANCE

Frequency MHz	Model	XT324	XT424
10.000-12.000	Fundamental		80Ω max.
12.001-15.000	Fundamental		80Ω max.
15.001-20.000	Fundamental		60Ω max.
20.001-30.000	Fundamental		40Ω max.
30.001-40.000	Fundamental		30Ω max.
40.001-50.000	Fundamental		30Ω max.
12.000-29.999	Fundamental	100 Ω max.	
30.000-50.000	Fundamental	60 Ω max.	

● REEL PACKING(mm)



● TAPE SPECIFICATION(mm)



● DIMENSIONS(mm)

