

● SPECIFICATION

Type	XT632 & XT634
Frequency Range	8.000 - 125.000MHz
Frequency Tolerance	$\pm 10, 20, 30$ PPM (at 25°C)
Frequency Stability	$\pm 10, 20, 30$ PPM (Ref. to 25°C)
Operation Temperature	-10°C ~ +70°C by Customer requirement
Storage Temperature	-40°C ~ +85°C
Load Capacitance	Series,9pF,10pF,12pF,15pF,18pF,20pF,30pF or Special requirement
Drive Level	15,30,50,100,200,500 μ W or Special requirement
Series Resistance	See below
Shunt Capacitance	7pF max
Aging	± 1 PPM, ± 2 PPM, ± 3 PPM

● EQUIVALENT SERIES RESISTANCE

XT634

Frequency (MHz)	ESR(Ω)max
Fundamental	
10.000 - 12.000MHz	80
12.001 - 20.000MHz	60
20.001 - 30.000MHz	60
30.001 - 40.000MHz	60
40.001 - 55.000MHz	60

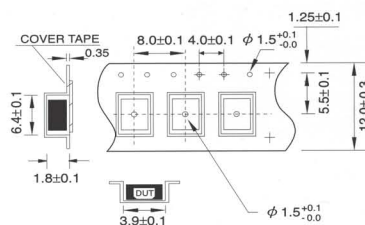
3rd Overtone

40.001 - 60.000MHz	100
60.001 - 100.000MHz	80

XT632

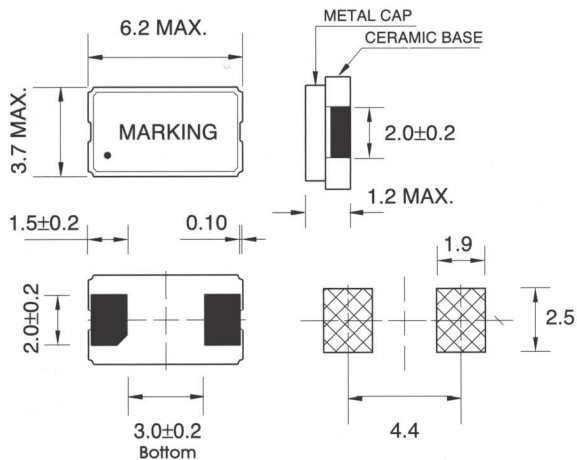
Frequency (MHz)	ESR(Ω)max
Fundamental	
12.000 - 12.000MHz	80
12.001 - 48.000MHz	60
3rd Overtone	
40.001 - 60.000MHz	100
60.001 - 100.000MHz	80

● TAPE SPECIFICATION(mm)



● DIMENSIONS(mm)

XT 632



XT 634

