

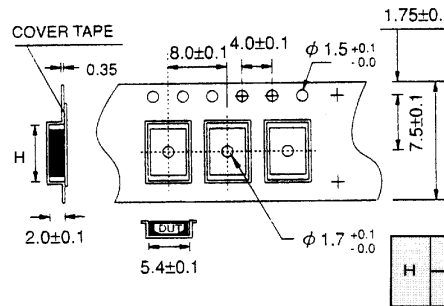
● SPECIFICATION

| | |
|-----------------------|-------------------------------------|
| Type | XT842 & XT754 |
| Frequency Range | 8.0-125.0MHz |
| Frequency Tolerance | ±10~±100 PPM |
| Frequency Stability | ±10~±100 PPM |
| Operation Temperature | -20°C~+70°C |
| Storage Temperature | -40°C~+85°C |
| Load Capacitance | Series, 18pF, 20pF, 30pF or Special |
| Drive Level | 15μW, 30μW, 100μW, or Special |
| Series Resistance | See below |
| Shunt Capacitance | 7pF max |
| Aging | ±1 PPM, ±2 PPM, ±3 PPM/year |

● EQUIVALENT SERIES RESISTANCE

| Frequency (MHz) | ESR(Ω)max |
|-----------------|-----------|
| Fundamental | |
| 8.00M~21.99M | 80 |
| 22.00M~40.00M | 40 |
| 3rd Overtone | |
| 40.01M~125.00 M | 60 |

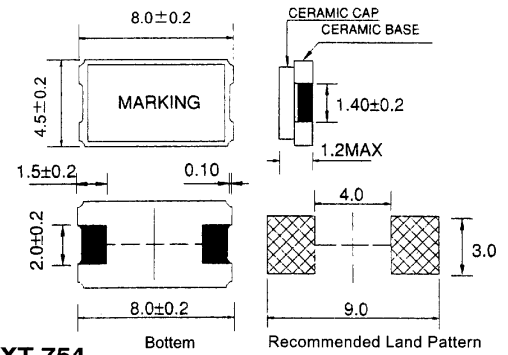
● TAPE SPECIFICATION(mm)



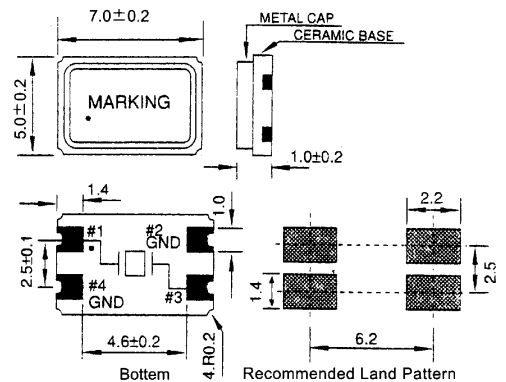
| H | XT842 | XT754 |
|---|---------|---------|
| | 8.7±0.1 | 7.9±0.1 |

● DIMENSIONS(mm)

XT 842



XT 754

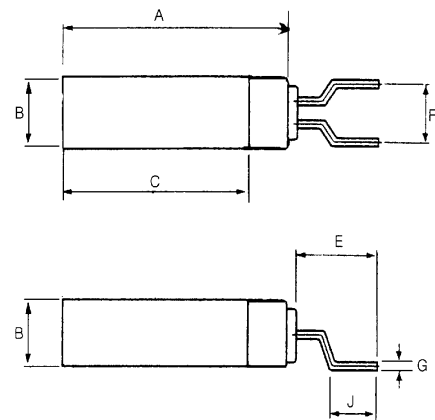


SM-15J, SM-26J Series: Small SMD Metal Package Cylinder Crystal 30.0-200K

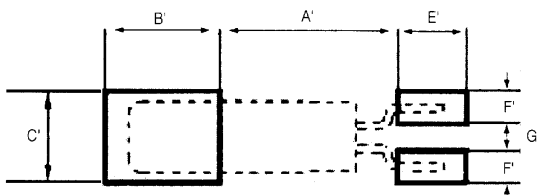
● SPECIFICATION

| | |
|-----------------------|---------------------------|
| Frequency Range | 32.0-200KHz |
| Frequency Tolerance | ±20, ±30, ±100 PPM |
| Operation Temperature | -20°C~+70°C |
| Series Resistance | 90K Ω max |
| Parabolic Coefficient | -0.038PPM/°C ² |
| Motional Capacitance | 2.25fF type |
| Shunt Capacitance | 1.0pF type |
| Load Capacitance | 12.5pF or Special |
| Drive Level | 1.0μW max |
| Aging | ±3 PPM |

● DIMENSIONS(mm)



● EQUIVALENT SERIES RESISTANCE



| Type | Code | A | B | C | E | F | G | A' | B' | C' | E' | F' | G' |
|--------|------|---------|---------|---------|---------|--|------|-----|-----|-----|-----|-----|-----|
| SM-15J | | 5.0±0.2 | 1.5±0.2 | 4.2±0.2 | 1.9±0.2 | 1.27 ^{+0.05} _{-0.02} | ∅0.2 | 3.9 | 2.5 | 2.0 | 1.5 | 0.7 | 0.6 |
| SM-26J | | 6.1±0.2 | 2.0±0.2 | 4.9±0.2 | 2.0±0.2 | 2.54 ^{+0.05} _{-0.02} | ∅0.2 | 4.5 | 3.0 | 3.0 | 1.5 | 1.0 | 1.6 |

★ Height of 1.48mm max is available