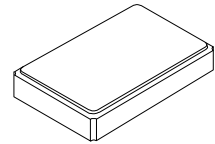




- **Surface Mount Seam Weld Package**
- **Excellent Reliability Performance**
- **Good Frequency Perturbation and Stability over Temperature**

The XTL1005 is a surface mount 5.0 x 3.2 mm crystal unit for use in wireless telecommunications devices, especially for a need of ultra miniature package for mobility.

XTL1005
**9.84375 MHz
Crystal Unit**

SM5032-4 Case
Electrical Characteristics

Characteristic	Sym	Notes	Minimum	Typical	Maximum	Units
Nominal Frequency				9.843750		MHz
Mode of Oscillation			Fundamental			
Storage Temperature Range			-40		+125	°C
Operating Temperature Range			-40		+125	°C
Frequency Stability over Operating Temperature Range			±50ppm (referred to the value at 25°C)			
Frequency Make Tolerance	FL		±50ppm at 25°C ±3°C			
Equivalent Series Resistance	ESR				100	Ω
Nominal Drive Level				10		uW
Shunt Capacitance	Co				5	pF
Load Capacitance	CL			3		pF
Lid Symbolization (in addition to Lot and/or Date Codes)			1005 YWWS			



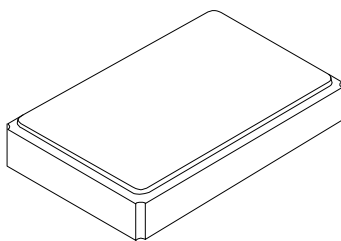
CAUTION: Electrostatic Sensitive Device. Observe precautions for handling.

Notes:

1. The design, manufacturing process, and specifications of this device are subject to change without notice.

SM5032-4 Case

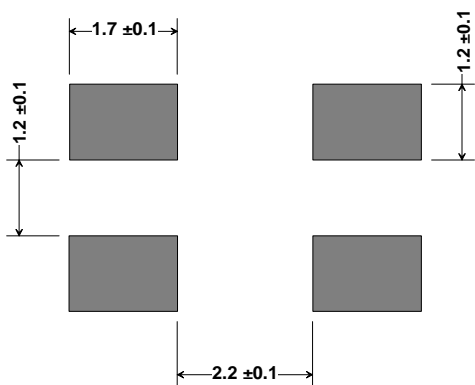
4-Terminal Surface-Mount Seam Weld Case 5.0 x 3.2 mm Nominal Footprint



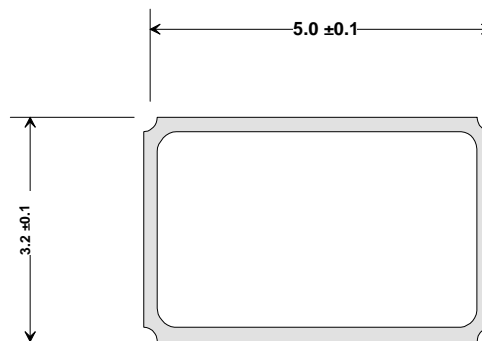
Electrical Connections

Pin	Connection
1	GND
2	IN/OUT
3	GND
4	IN/OUT

Note: Pin #1 & #3 is connected to metal cap on top



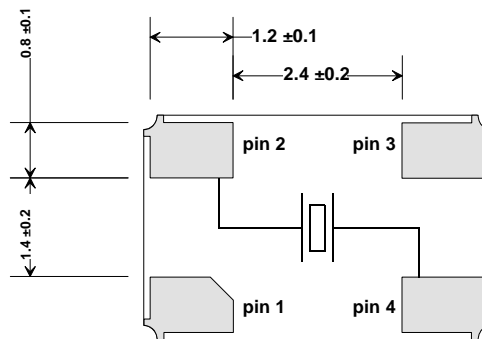
Footprint (mm)



Top View

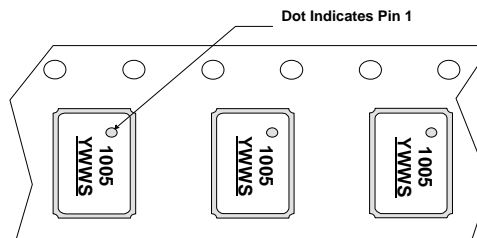


Side View



Bottom View

Package Dimensions (mm)



Package Orientation in Carrier Tape