



XTP2021

Ultra-Low Power Consumption LDO

XTX Technology Inc.

Tel: (+86 755) 28229862

Fax: (+86 755) 28229847

Web Site: <http://www.xtxtech.com/>

Technical Contact: fae@xtxtech.com

* Information furnished is believed to be accurate and reliable. However, XTX Technology Inc. assumes no responsibility for the consequences of use of such information or for any infringement of patents of other rights of third parties which may result from its use. No license is granted by implication or otherwise under any patent rights of XTX Technology Inc. Specifications mentioned in this publication are subjected to change without notice. This publication supersedes and replaces all information previously supplied. XTX Technology Inc. products are not authorized for use as critical components in life support devices or systems without express written approval of XTX Technology Inc. The XTX logo is a registered trademark of XTX Technology Inc. All other names are the property of their respective own.

1 μ A, 300mA Low Dropout Voltage Linear Regulator

General Description

The XTP2021 is a ultra-low-power, low-step-down linear regulator that supports a wide voltage input of 1.8V to 5.5V and a standby current of 1 μ A, making these devices ideal for battery-powered systems that spend most of their time in standby mode, requiring minimal standby power consumption to extend the life of the device. Integrated enable control mode that reduces current to only 100nA(typical) when the low level enable signal is turned off.

XTP2021 only needs 1 μ F ceramic capacitor to work normally. The XTP2021 integrated short-circuit current limiting and thermal shutdown protection. And has automatic discharge function, can be disabled in the state of rapid discharge V_{OUT} .

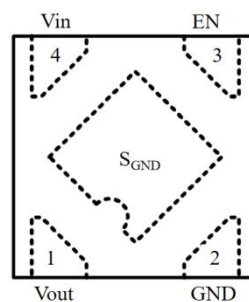
The operating temperature range is -40 $^{\circ}$ C~ +85 $^{\circ}$ C.

Applications

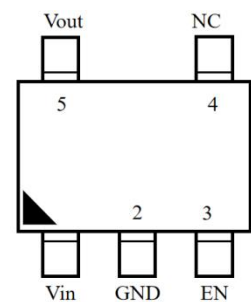
- Portable, Battery Powered Equipment
- Low Power Microcontrollers
- Laptop, Palmtops and PDAs
- Wireless Communication Equipment
- Audio/Video Equipment
- Car Navigation System

Features

- 1 μ A Ground Current at no Load
- $\pm 2\%$ Output Accuracy
- 300mA Output Current
- 10nA Shutdown Current
- Input Voltage Range: 1.8V to 5.5V
- Dropout Voltage: 0.18V at 300mA
- Fixed Output Voltage 0.9V,1.05V,1.2V, 1.5V, 1.8V, 1.9V, 2.5V, 2.7V, 2.8V, 2.85V, 2.9V, 3.0V, 3.3V
- Stable with Ceramic or Tantalum Capacitor
- Current Limit Protection
- Over-Temperature Protection
- DFN1x1-4L, SOT-23-5 Packages Available



DFN1x1-4L



SOT-23-5

Ordering Information

| MODEL | PACKAGE DESCRIPTION | ORDERING NUMBER | PACKAGE MARKING | PACKING OPTION |
|--------------|---------------------|------------------|-----------------|----------------------|
| XTP2021-0.9 | DFN1x1-4L | XTP2021-090AD1CT | 1A YW | Tape and Reel, 12000 |
| XTP2021-1.05 | DFN1x1-4L | XTP2021-105AD1CT | 1B YW | Tape and Reel, 12000 |
| XTP2021-1.2 | DFN1x1-4L | XTP2021-120AD1CT | 1C YW | Tape and Reel, 12000 |
| XTP2021-1.5 | DFN1x1-4L | XTP2021-150AD1CT | 1D YW | Tape and Reel, 12000 |
| XTP2021-1.8 | DFN1x1-4L | XTP2021-180AD1CT | 1E YW | Tape and Reel, 12000 |
| XTP2021-1.9 | DFN1x1-4L | XTP2021-190AD1CT | 1F YW | Tape and Reel, 12000 |
| XTP2021-2.5 | DFN1x1-4L | XTP2021-250AD1CT | 1G YW | Tape and Reel, 12000 |
| XTP2021-2.7 | DFN1x1-4L | XTP2021-270AD1CT | 1H YW | Tape and Reel, 12000 |
| XTP2021-2.8 | DFN1x1-4L | XTP2021-280AD1CT | 1I YW | Tape and Reel, 12000 |
| XTP2021-2.85 | DFN1x1-4L | XTP2021-285AD1CT | 1J YW | Tape and Reel, 12000 |
| XTP2021-2.9 | DFN1x1-4L | XTP2021-290AD1CT | 1K YW | Tape and Reel, 12000 |
| XTP2021-3.0 | DFN1x1-4L | XTP2021-300AD1CT | 1L YW | Tape and Reel, 12000 |
| XTP2021-3.3 | DFN1x1-4L | XTP2021-330AD1CT | 1M YW | Tape and Reel, 12000 |
| | | | | |
| XTP2021-0.9 | SOT-23-5 | XTP2021-090AS2CT | P2021A YWZZX | Tape and Reel, 3000 |
| XTP2021-1.05 | SOT-23-5 | XTP2021-105AS2CT | P2021B YWZZX | Tape and Reel, 3000 |
| XTP2021-1.2 | SOT-23-5 | XTP2021-120AS2CT | P2021C YWZZX | Tape and Reel, 3000 |
| XTP2021-1.5 | SOT-23-5 | XTP2021-150AS2CT | P2021D YWZZX | Tape and Reel, 3000 |
| XTP2021-1.8 | SOT-23-5 | XTP2021-180AS2CT | P2021E YWZZX | Tape and Reel, 3000 |
| XTP2021-1.9 | SOT-23-5 | XTP2021-190AS2CT | P2021F YWZZX | Tape and Reel, 3000 |
| XTP2021-2.5 | SOT-23-5 | XTP2021-250AS2CT | P2021G YWZZX | Tape and Reel, 3000 |
| XTP2021-2.7 | SOT-23-5 | XTP2021-270AS2CT | P2021H YWZZX | Tape and Reel, 3000 |
| XTP2021-2.8 | SOT-23-5 | XTP2021-280AS2CT | P2021I YWZZX | Tape and Reel, 3000 |
| XTP2021-2.85 | SOT-23-5 | XTP2021-285AS2CT | P2021J YWZZX | Tape and Reel, 3000 |
| XTP2021-2.9 | SOT-23-5 | XTP2021-290AS2CT | P2021K YWZZX | Tape and Reel, 3000 |
| XTP2021-3.0 | SOT-23-5 | XTP2021-300AS2CT | P2021L YWZZX | Tape and Reel, 3000 |
| XTP2021-3.3 | SOT-23-5 | XTP2021-330AS2CT | P2021M YWZZX | Tape and Reel, 3000 |

MARKING INFORMATION

NOTE:
 1X/P2021X: Device Code.
 YW : Date Code.
 ZZ: Inside Cod

Description of Functional Pins

| Pin No | Pin Name | Pin Function |
|-------------|------------------|---|
| DFN1x1-4L | | |
| 1 | V _{OUT} | Output of the Regulator |
| 2 | GND | Ground |
| 3 | EN | Enable Control Input |
| 4 | V _{IN} | Input of Supply Voltage |
| Exposed Pad | S _{GND} | Substrate of Chip. Leave floating or tie to GND |

| Pin No | Pin Name | Pin Function |
|-----------|------------------|-------------------------|
| SOT-23-5L | | |
| 1 | V _{IN} | Input of Supply Voltage |
| 2 | GND | Ground |
| 3 | EN | Enable Control Input |
| 4 | NC | No internal connection |
| 5 | V _{OUT} | Output of the Regulator |

Typical Application Circuit

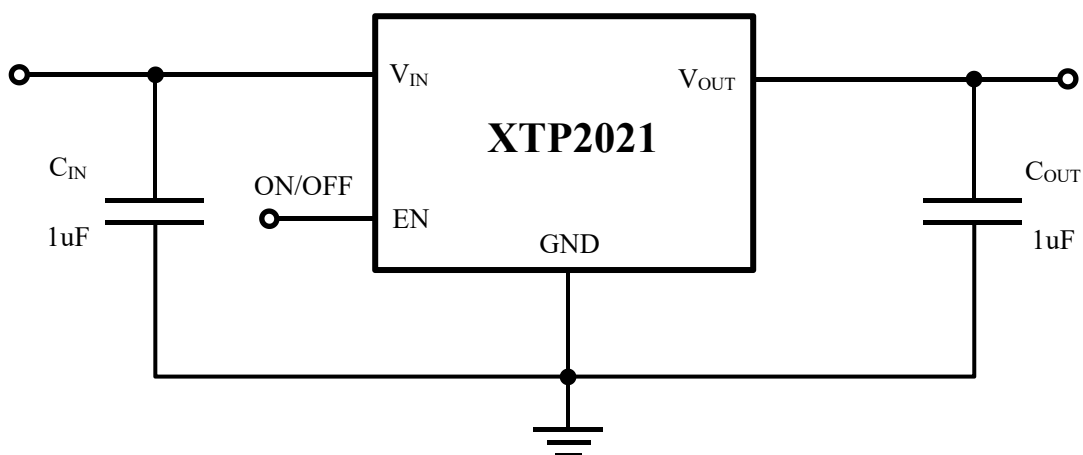


Figure 1: Application circuit of Fixed V_{OUT} LDO with enable function