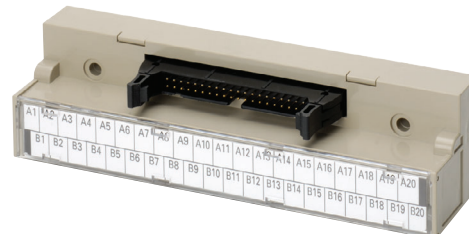


## New Slim Connector-Terminal Block Conversion Units.

- Mounting area reduced by 35% (in comparison with 40-pole XW2B Units) to contribute to downsizing control panels and automatic equipment.
- Fallout prevention for terminal screws.
- Round or forked crimp terminals can be used.
- Mount to DIN Track or via screws.  
Unique DIN Track lock can maintain open status during DIN Track attachment and removal.
- Terminal cover can be locked open.
- Screw terminals are arranged by color in groups of five to simplify counting terminal numbers.



## Ordering Information

### Connectors

Mounted Connector	No. of poles	Model	Dimension A	Dimension B	Mounted Connector model	Cable Connector model
XG4A MIL Connectors	20	<b>XW2D-20G6</b>	79	57	XG4A-2031	XG4M-2030-T
	34	<b>XW2D-34G6</b>	128	100	XG4A-3431	XG4M-3430-T
	40	<b>XW2D-40G6</b>	149	110	XG4A-4031	XG4M-4030-T
		<b>XW2D-40G6-RF *1</b>	149	110	XG4A-4031	XG4M-4030-T
		<b>XW2D-40G6-RM *2</b>	149	110	XG4A-4031	XG4M-4030-T
50	<b>XW2D-50G6</b>	184	144	XG4A-5031	XG4M-5030-T	
XG4C MIL Connectors	20	<b>XW2D-20C6</b>	79	57	XG4C-2031	XG4M-2030-U
	34	<b>XW2D-34C6</b>	128	100	XG4C-3431	XG4M-3430-U
	40	<b>XW2D-40C6</b>	149	110	XG4C-4031	XG4M-4030-U
	50	<b>XW2D-50C6</b>	184	144	XG4C-5031	XG4M-5030-U
MR Sockets	20	<b>XW2D-20X6</b>	79	57	MR-20RFD2 *3	MR-20M *3
	34	<b>XW2D-34X6</b>	128	100	MR-34RFD2 *3	MR-34M *3
	50	<b>XW2D-50X6</b>	184	144	MR-50RFD2 *3	MR-50M *3
MR Plugs	20	<b>XW2D-20Y6</b>	79	57	MR-20RMD2 *3	MR-20F*3
	34	<b>XW2D-34Y6</b>	128	100	MR-34RMD2 *3	MR-34F*3
	50	<b>XW2D-50Y6</b>	184	144	MR-50RMD2 *3	MR-50F *3

\*1. This model has built-in bleeder resistance and is used for inputs to Units with Fujitsu connectors, i.e., the CJ1W-ID231/-ID261/-MD261.

\*2. This model has built-in bleeder resistance and is used for inputs on Units with MIL connectors, i.e., the CJ1W-ID232/-ID262/-MD263/-MD563.

\*3. The MR Connector is made by Honda Tsushin Kogyo.

### Accessories (Order Separately)

#### Connecting Cables for Connector-Terminal Block Conversion Units

Refer to the *XW2Z Datasheet*.

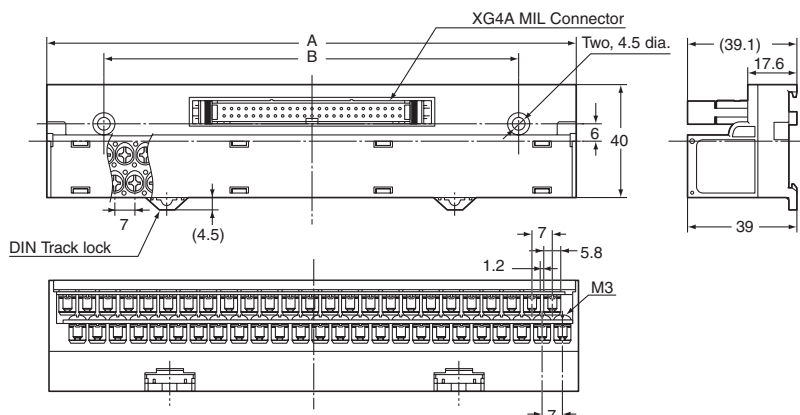
## Ratings and Specifications

Rated current	1 A
Rated voltage	125 VAC, 24 VDC
Insulation resistance	100 MΩ min. (at 500 VDC)
Dielectric strength	500 VAC for 1 min (leakage current: 1 mA max.)
Ambient operating temperature	0 to 55°C

## Dimensions

### XW2D-□□G6

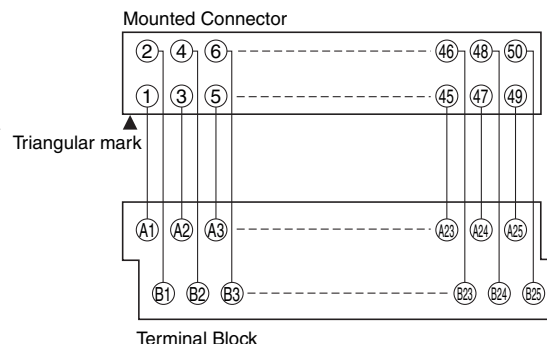
Mounted Connector: XG4A MIL Connector



**Note:** There is only one DIN Track lock located in the center of the terminal block for a 20-pole Unit.

### Wiring Diagram

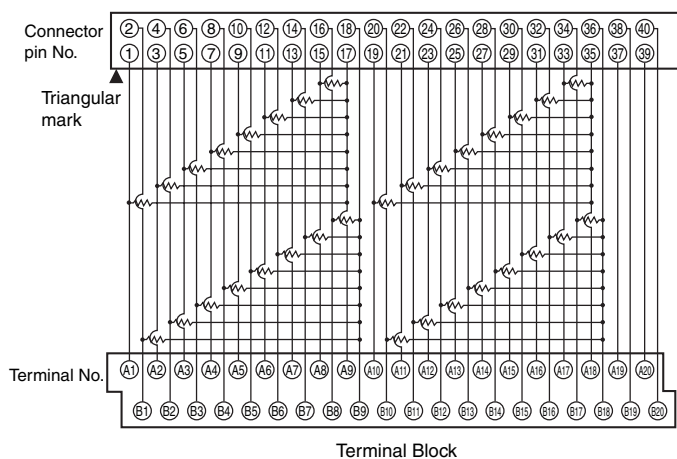
(Example for Terminal Block with 50 Poles)



**Note:** For all models, the odd-numbered pins on the Connector correspond to row A on the terminal block and the even-numbered pins on the Connector correspond to row B on the terminal block.

### XW2D-40G6-RF

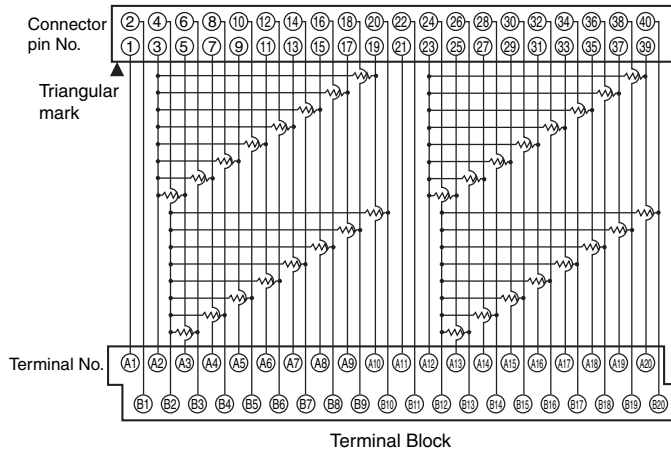
Connector (XG4A-4031)



**Note:** The dimensions shown here are the same as the XW2D-40G6.

### XW2D-40G6-RM

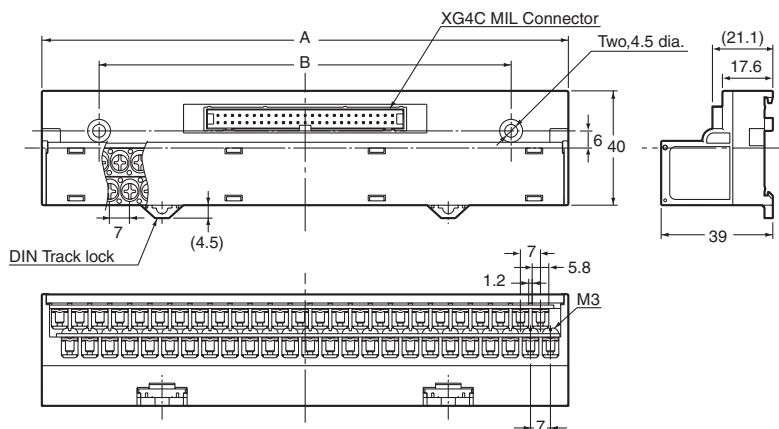
Connector (XG4A-4031)



**Note:** The dimensions shown here are the same as the XW2D-40G6.

### XW2D-□□C6

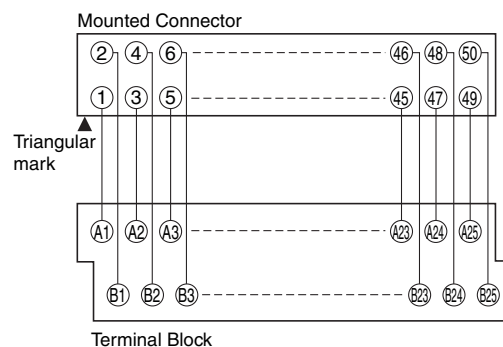
Mounted Connector: XG4C MIL Connector



**Note:** There is only one DIN Track lock located in the center of the terminal block for a 20-pole Unit.

### Wiring Diagram

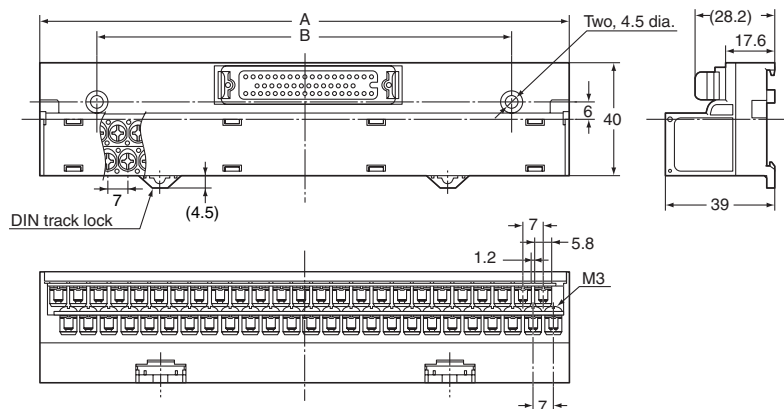
(Example for Terminal Block with 50 Poles)



**Note:** For all models, the odd-numbered pins on the Connector correspond to row A on the terminal block and the even-numbered pins on the Connector correspond to row B on the terminal block.

XW2D-□□X6

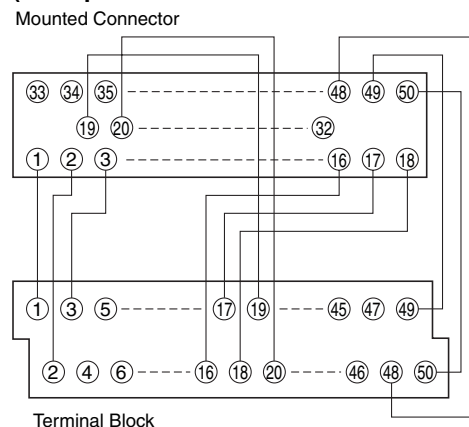
Mounted Connector: MR Socket



**Note:** There is only one DIN Track lock located in the center of the Connector for a 20-pole Unit.

Wiring Diagram

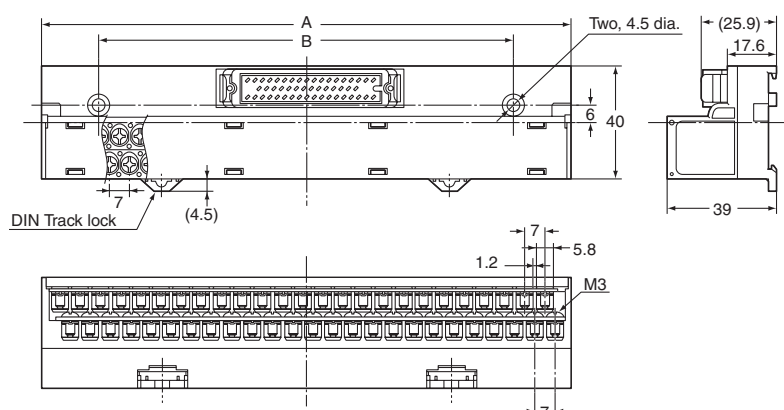
(Example for Terminal Block with 50 Poles)



**Note:** Connector pin numbers correspond 1-to-1 to terminal block numbers on all models.

XW2D-□□Y6

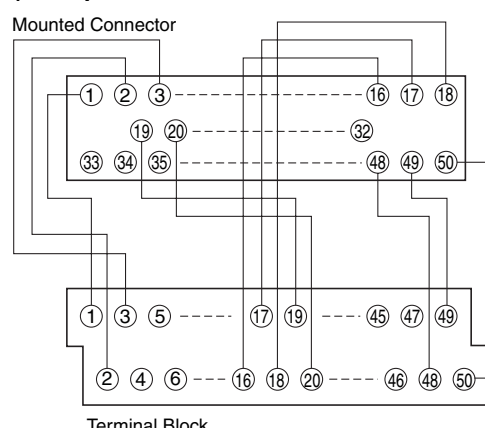
Mounted Connector: MR Plug



**Note:** There is only one DIN Track lock located in the center of the terminal block for a 20-pole Unit.

Wiring Diagram

(Example for Terminal Block with 50 Poles)



**Note:** Connector pin numbers correspond 1-to-1 to terminal block numbers on all models.

## Safety Precautions

### Precautions for Correct Use

#### ●Wiring

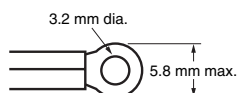
- Always turn OFF the power supply before wiring. Otherwise, cables or other conductors can short the terminals and cause the Unit to fail.
- Do not connect or disconnect Connectors with the power turned ON. Otherwise, it may cause malfunctions.

#### ●Wiring Terminal Blocks

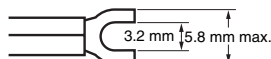
Using Crimp Terminals

(With a Terminal Block with M3 Screws)

##### Round crimp terminals



##### Forked crimp terminals



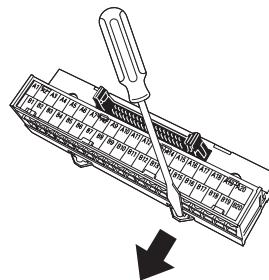
Applicable crimp terminals		Applicable wires
Round crimp terminals	1.25-3	AWG 22 to 16 (0.30 to 1.25 mm <sup>2</sup> )
Forked crimp terminals	1.25Y-3	AWG 22 to 16 (0.30 to 1.25 mm <sup>2</sup> )

#### ●Terminal Screw Tightening Torque

Use a tightening torque of 0.7 N·m when connecting wires or crimp terminals to the terminal block.

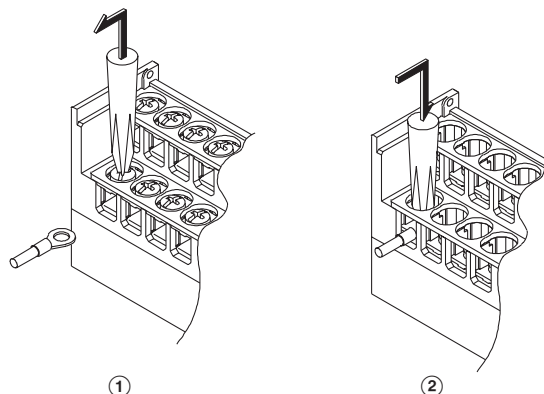
#### ●Mounting Units to and Removing Units from DIN Track

- XW2D Connector-Terminal Block Conversion Units can be mounted side-to-side on DIN Track.
- Secure both ends of the XW2D with End Plates.
- When removing the Unit from a DIN Track, insert a flat-head screwdriver into the slider and pull the lock out.



#### ●Handling M3 Screw and Round Terminals

Raise the M3 screw with a Phillips screwdriver as shown in diagram (1) and slide the screw toward you to keep the space open. Follow the steps in diagrams (1) and (2) below when using round crimp terminals.



## Read and Understand This Catalog

Please read and understand this catalog before purchasing the products. Please consult your OMRON representative if you have any questions or comments.

## Warranty and Limitations of Liability

### WARRANTY

OMRON's exclusive warranty is that the products are free from defects in materials and workmanship for a period of one year (or other period if specified) from date of sale by OMRON.

OMRON MAKES NO WARRANTY OR REPRESENTATION, EXPRESS OR IMPLIED, REGARDING NON-INFRINGEMENT, MERCHANTABILITY, OR FITNESS FOR PARTICULAR PURPOSE OF THE PRODUCTS. ANY BUYER OR USER ACKNOWLEDGES THAT THE BUYER OR USER ALONE HAS DETERMINED THAT THE PRODUCTS WILL SUITABLY MEET THE REQUIREMENTS OF THEIR INTENDED USE. OMRON DISCLAIMS ALL OTHER WARRANTIES, EXPRESS OR IMPLIED.

### LIMITATIONS OF LIABILITY

OMRON SHALL NOT BE RESPONSIBLE FOR SPECIAL, INDIRECT, OR CONSEQUENTIAL DAMAGES, LOSS OF PROFITS OR COMMERCIAL LOSS IN ANY WAY CONNECTED WITH THE PRODUCTS, WHETHER SUCH CLAIM IS BASED ON CONTRACT, WARRANTY, NEGLIGENCE, OR STRICT LIABILITY.

In no event shall the responsibility of OMRON for any act exceed the individual price of the product on which liability is asserted.

IN NO EVENT SHALL OMRON BE RESPONSIBLE FOR WARRANTY, REPAIR, OR OTHER CLAIMS REGARDING THE PRODUCTS UNLESS OMRON'S ANALYSIS CONFIRMS THAT THE PRODUCTS WERE PROPERLY HANDLED, STORED, INSTALLED, AND MAINTAINED AND NOT SUBJECT TO CONTAMINATION, ABUSE, MISUSE, OR INAPPROPRIATE MODIFICATION OR REPAIR.

## Application Considerations

### SUITABILITY FOR USE

OMRON shall not be responsible for conformity with any standards, codes, or regulations that apply to the combination of products in the customer's application or use of the products.

At the customer's request, OMRON will provide applicable third party certification documents identifying ratings and limitations of use that apply to the products. This information by itself is not sufficient for a complete determination of the suitability of the products in combination with the end product, machine, system, or other application or use.

The following are some examples of applications for which particular attention must be given. This is not intended to be an exhaustive list of all possible uses of the products, nor is it intended to imply that the uses listed may be suitable for the products:

- Outdoor use, uses involving potential chemical contamination or electrical interference, or conditions or uses not described in this catalog.
- Nuclear energy control systems, combustion systems, railroad systems, aviation systems, medical equipment, amusement machines, vehicles, safety equipment, and installations subject to separate industry or government regulations.
- Systems, machines, and equipment that could present a risk to life or property.

Please know and observe all prohibitions of use applicable to the products.

NEVER USE THE PRODUCTS FOR AN APPLICATION INVOLVING SERIOUS RISK TO LIFE OR PROPERTY WITHOUT ENSURING THAT THE SYSTEM AS A WHOLE HAS BEEN DESIGNED TO ADDRESS THE RISKS, AND THAT THE OMRON PRODUCTS ARE PROPERLY RATED AND INSTALLED FOR THE INTENDED USE WITHIN THE OVERALL EQUIPMENT OR SYSTEM.

### PROGRAMMABLE PRODUCTS

OMRON shall not be responsible for the user's programming of a programmable product, or any consequence thereof.

## Disclaimers

### CHANGE IN SPECIFICATIONS

Product specifications and accessories may be changed at any time based on improvements and other reasons.

It is our practice to change model numbers when published ratings or features are changed, or when significant construction changes are made. However, some specifications of the products may be changed without any notice. When in doubt, special model numbers may be assigned to fix or establish key specifications for your application on your request. Please consult with your OMRON representative at any time to confirm actual specifications of purchased products.

### DIMENSIONS AND WEIGHTS

Dimensions and weights are nominal and are not to be used for manufacturing purposes, even when tolerances are shown.

### PERFORMANCE DATA

Performance data given in this catalog is provided as a guide for the user in determining suitability and does not constitute a warranty. It may represent the result of OMRON's test conditions, and the users must correlate it to actual application requirements. Actual performance is subject to the OMRON Warranty and Limitations of Liability.

### ERRORS AND OMISSIONS

The information in this document has been carefully checked and is believed to be accurate; however, no responsibility is assumed for clerical, typographical, or proofreading errors, or omissions.

2008.11

In the interest of product improvement, specifications are subject to change without notice.

**OMRON Corporation**  
Industrial Automation Company

<http://www.ia.omron.com/>

(c)Copyright OMRON Corporation 2008 All Right Reserved.