

3.2x1.6mm SMD CHIP LED LAMP

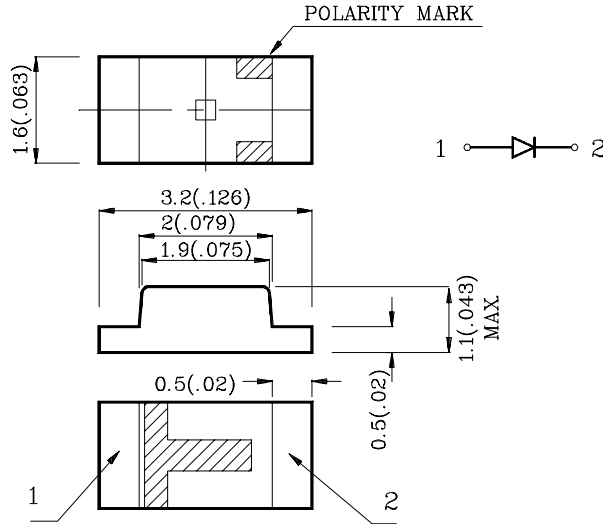
XZMO55W



SUNLED

Email : sales@us.sunled.com

Web Site : www.sunled.com



Notes:

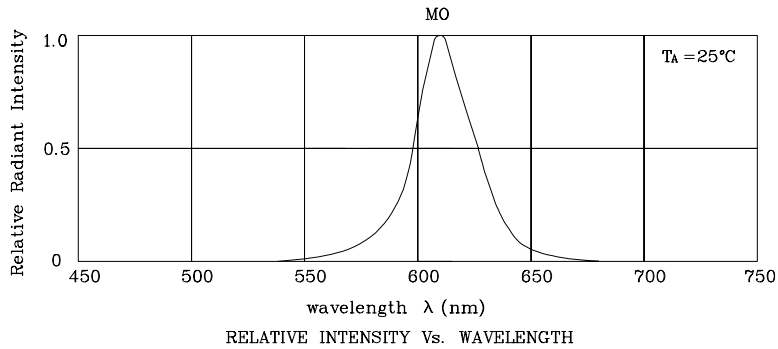
1. All dimensions are in millimeters (inches).
2. Tolerance is $\pm 0.2(0.0079)$ " unless otherwise noted.

| Absolute maximum ratings ($T_A=25^\circ\text{C}$) | | MO (InGaAlP) | Unit |
|---|-----------|-----------------|------|
| Reverse voltage | V_R | 5 | V |
| Forward current | I_F | 30 | mA |
| Forward current (peak) 1/10Duty cycle 0.1ms pulse width | i_{FS} | 195 | mA |
| Power dissipation | P_T | 75 | mW |
| Operating temperature | T_A | -40 ~ +85 | °C |
| Storage temperature | T_{stg} | -40 ~ +85 | |

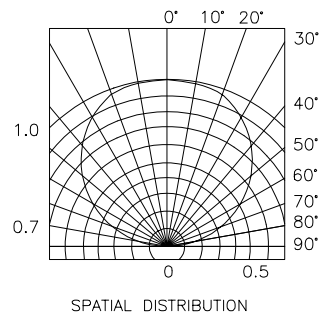
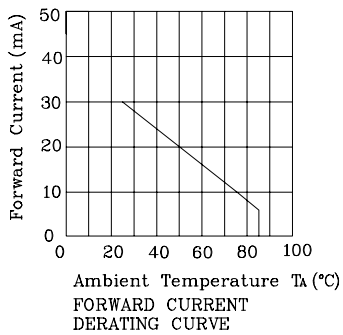
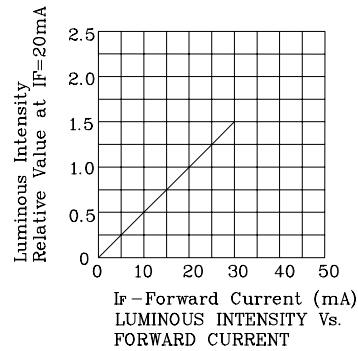
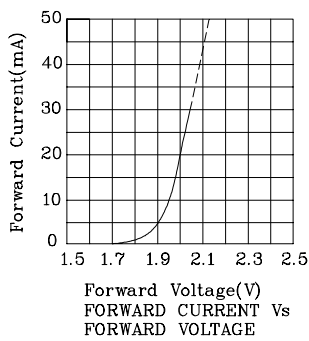
| Operating Characteristics ($T_A=25^\circ\text{C}$) | | MO (InGaAlP) | Unit |
|---|------------------|-----------------|---------------|
| Forward voltage (typ.) ($I_F=20\text{mA}$) | V_F | 2.0 | V |
| Forward voltage (max.) ($I_F=20\text{mA}$) | V_F | 2.5 | V |
| Reverse current ($V_R=5\text{V}$) | I_R | 10 | μA |
| Wavelength at peak emission ($I_F=20\text{mA}$) | λ_{peak} | 610 | nm |
| Wavelength at Dominate emission ($I_F=20\text{mA}$) | λ_D | 601 | nm |
| Spectral Line half-width ($I_F=20\text{mA}$) | $\Delta\lambda$ | 29 | nm |
| Capacitance ($V_F=0\text{V}$, $f=1\text{MHz}$) | C | 30 | pF |

| Part Number | Emitting Color | Emitting Material | Lens-color | Luminous Intensity ($I_F=20\text{mA}$) mcd | | Wavelength nm λ_P | Viewing Angle $2\theta_{1/2}$ |
|-------------|----------------|-------------------|-------------|--|------|---------------------------------|----------------------------------|
| | | | | min. | typ. | | |
| XZMO55W | Orange | InGaAlP | Water Clear | 70 | 195 | 610 | 120° |

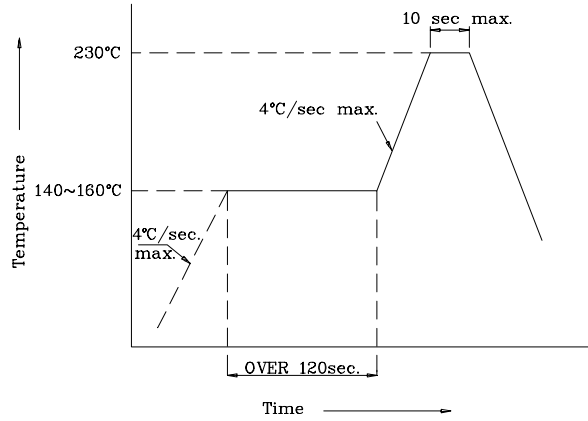
XZMO55W



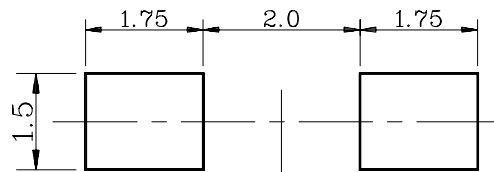
❖MO



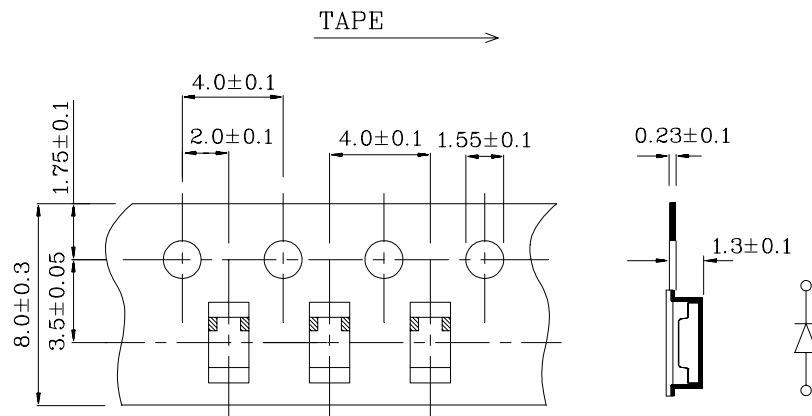
XZMO55W
❖SMT Reflow Soldering Instructions



❖Recommended Soldering Pattern (Units : mm;Tolerance:±0.1)



❖Tape Specification (Units : mm)



PACKAGE : 2000PCS / REEL.