

## Description

- Step-Up/Step-Down Charge Pumps  
Generate Fixed 3.3V or 2.5V Outputs
- VIN Range: 2.7V to 5.5V
- Output Current up to 100mA

## Applications

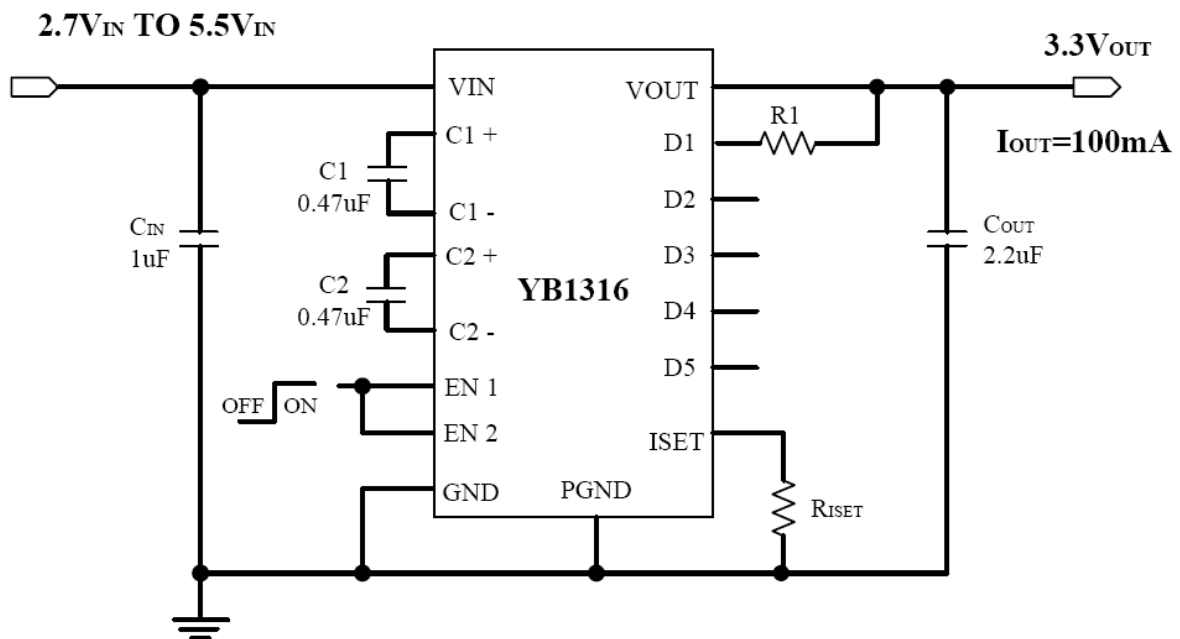
- Li-Ion to 3.3V
- Low Power Supplies for Cameras, I/O Supplies, Audio, PC Cards, Misc. Logic, etc., in a Wide Variety of Handheld Products

## Features

- Input Range : 2.7V to 5.5V
- 1MHz Internal Oscillator
- Thermal Protection Shutdown
- Three Charge Pump Mode : 1x/1.5x
- 3mm x 3mm TQFN package

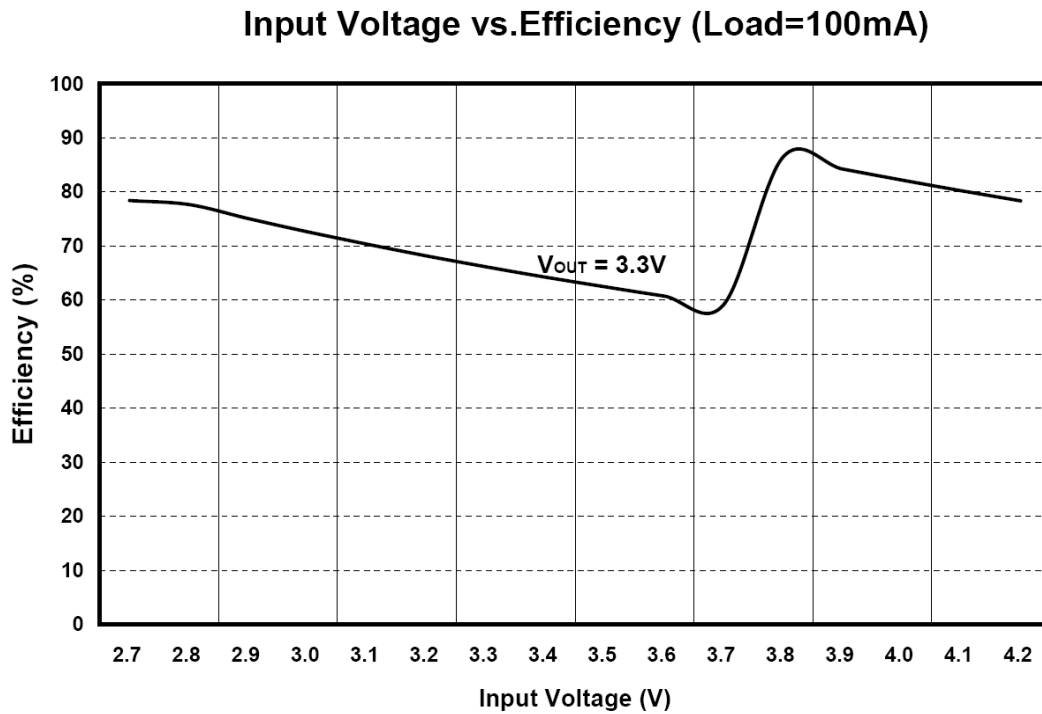
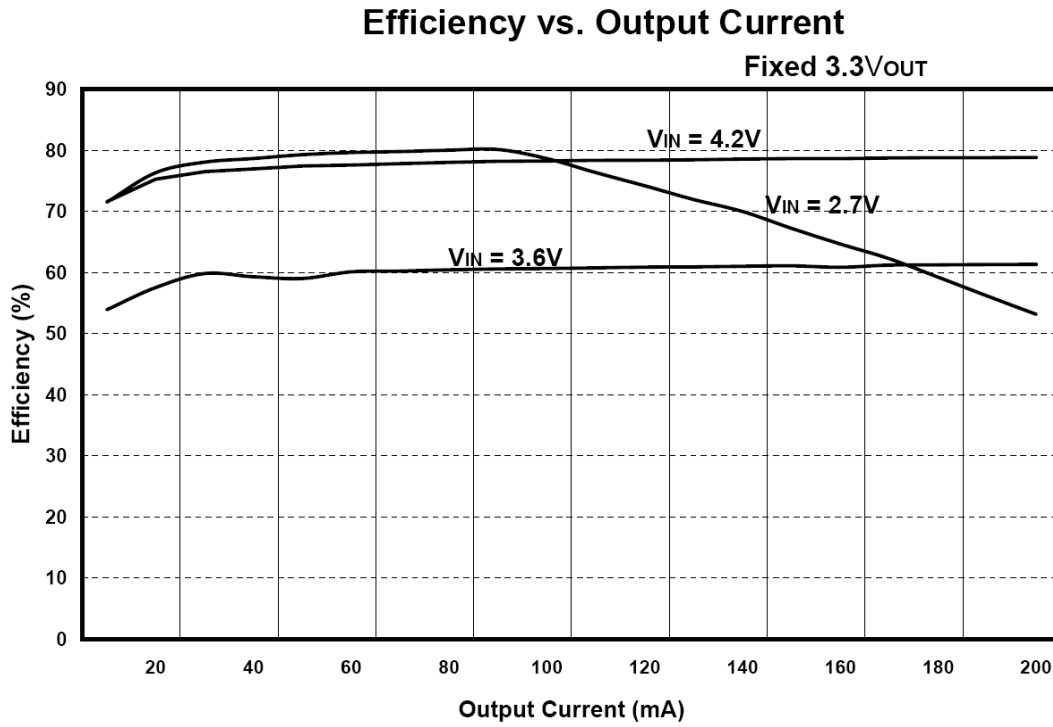
| Input Voltage       | Max Output Current |
|---------------------|--------------------|
| <b>2.70V ~ 5.5V</b> | <b>100mA</b>       |
| <b>2.95V ~ 5.5V</b> | <b>150mA</b>       |
| <b>3.15V ~ 5.5V</b> | <b>200mA</b>       |
| <b>3.80V ~ 5.5V</b> | <b>300mA</b>       |

## Typical Application Circuit

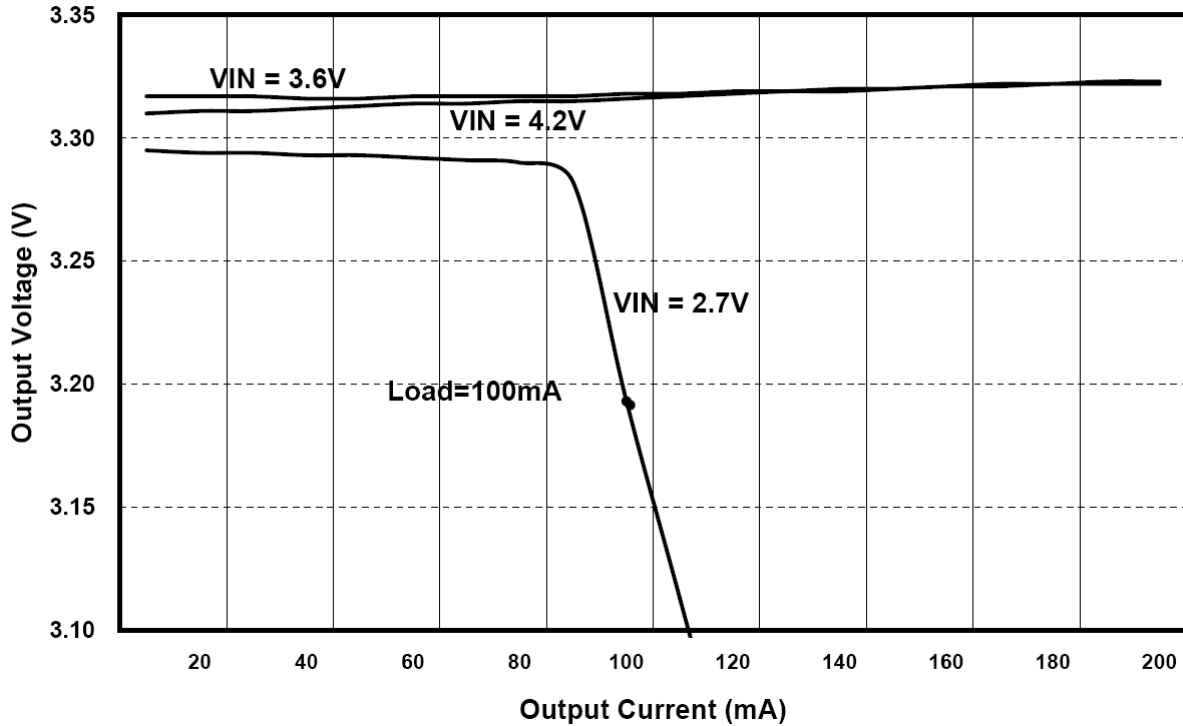


Fixed 3.3V Output Typical Circuit

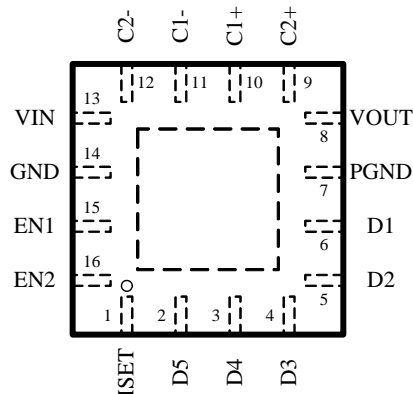
**Typical Characteristics**



**Output Voltage vs. Loading**



**Package Information (TQFN-16 3x3)**



**TQFN-16 3\*3 Package**