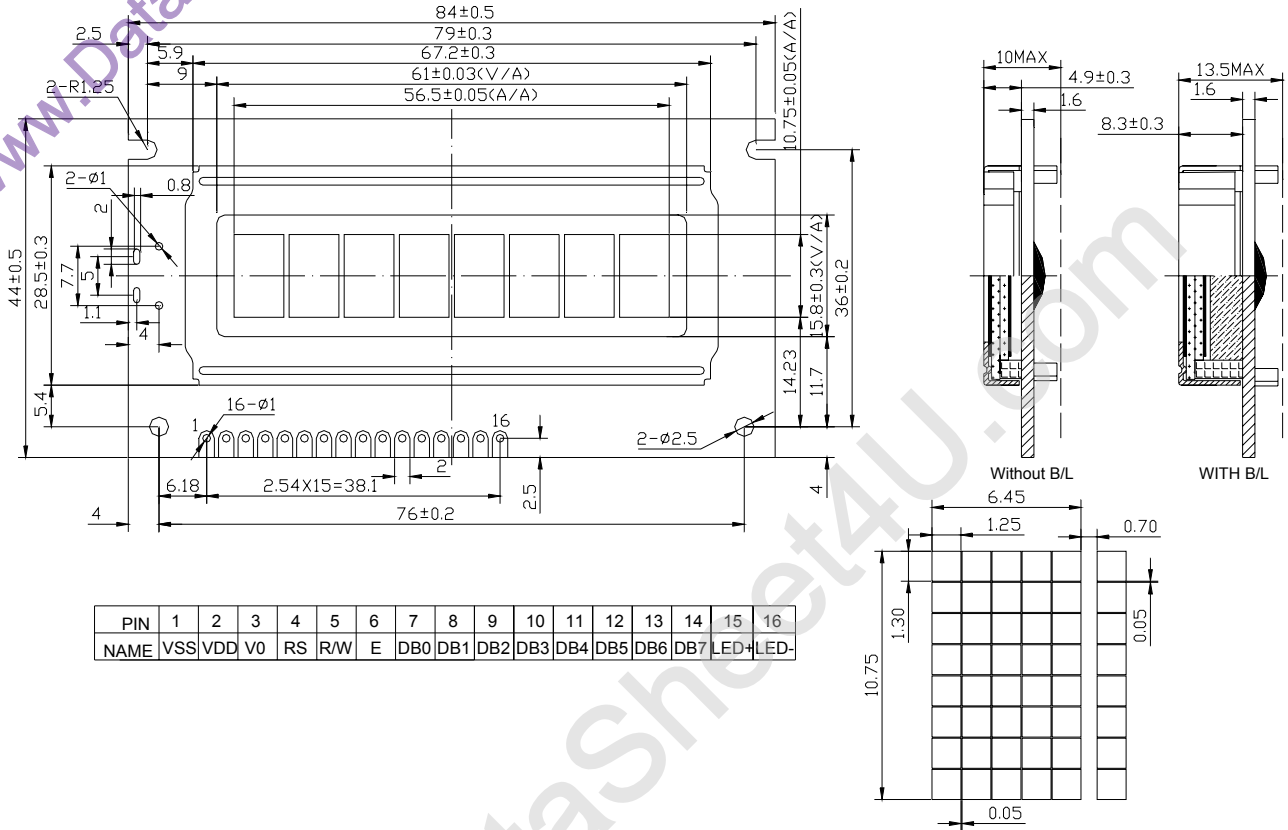


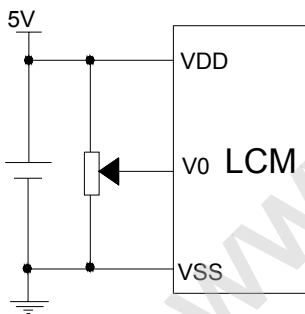
1. Mechanical Specifications

Display Area(mm)		Outline(mm)
8CharactersX1Lines	Active Area: 6.45(W)X10.75(H)	Outline Dimension :84(W)X44(H)
Duty: 1/16	Dot Size:1.25(W)X1.30(H)	Thickness With B/L: 13.5Max
Viewing Area:61(W)X15.8(H)	Dot Pitch:1.30(W)X1.35(H)	Thickness Without B/L: 10Max

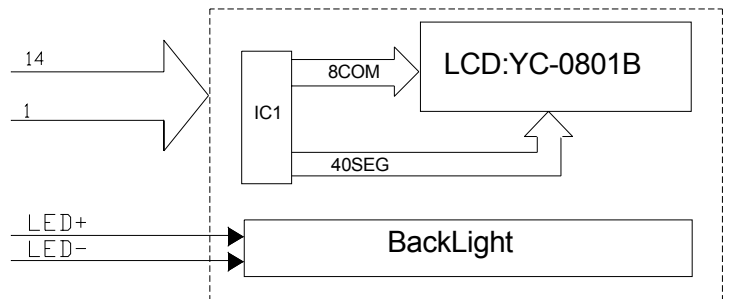
2. External Dimension



3. Power Supply



4. Block Diagram



5. Electrical Characteristics

Item	Symbol	Min.	Typ.	Max.	Unit	Condition
Supply Voltage(Logic)	Vdd	4.5	5	5.5	V	
Supply Current(Logic)	Idd	-	-	2	mA	Vdd=5V
LCD Operating Voltage	Vop	-	4.5	-	V	Ta=25°C
Supply Current for LCD	Iee			2	mA	Vdd=5V
Power Supply for B/L	V _{B/L}	-	4.2	-	V	