

# YC-0802A Series

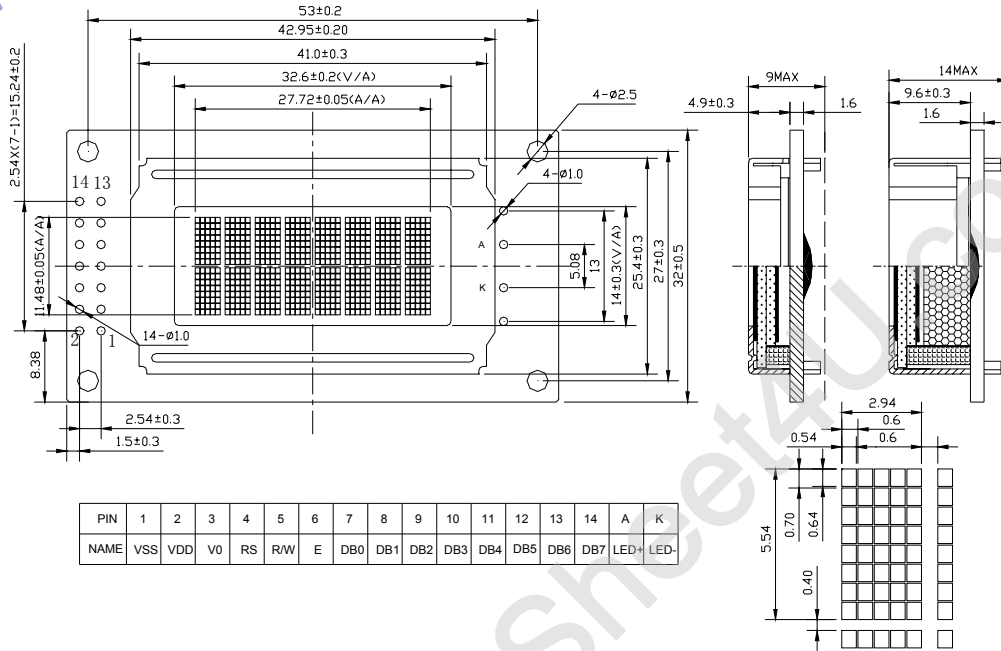
液晶之友 电话: 020-33819057

Http://www.lcdfriends.com

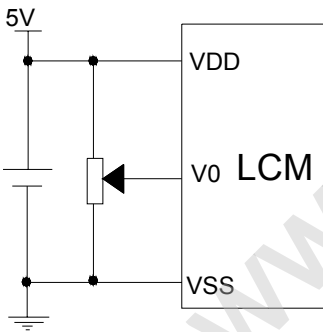
## 1. Mechanical Specifications

Display Area(mm)	Outline(mm)
8CharactersX2Lines Active Area: 2.94(W)X5.54(H)	Outline Dimension :58(W)X32(H)
Duty: 1/16 Dot Size:0.54(W)X0.64(H)	Thickness With B/L: 14Max
Viewing Area:32.6(W)X14(H) Dot Pitch: 0.60(W)X0.70(H)	Thickness Without B/L: 9Max

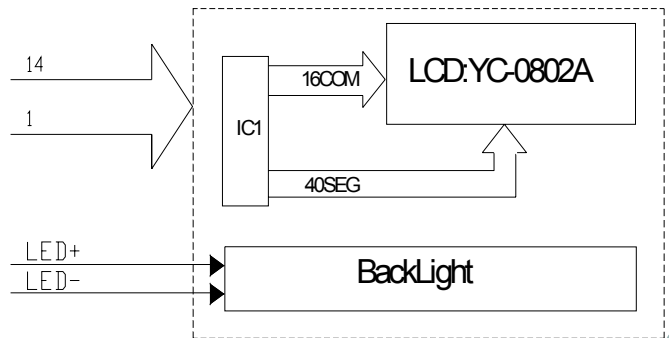
## 2. External Dimension



## 3. Power Supply



## 4. Block Diagram



## 5. Electrical Characteristics

Item	Symbol	Min.	Typ.	Max.	Unit	Condition
Supply Voltage(Logic)	Vdd	4.5	5	5.5	V	
Supply Current(Logic)	Idd	-	-	2	mA	Vdd=5V
LCD Operating Voltage	Vop	-	4.5	-	V	Ta=25°C
Supply Current for LCD	Iee	-	-	2	mA	Vdd=5V
Power Supply for B/L	V <sub>B/L</sub>	-	4.2	-	V	