

# YC-1602B Series

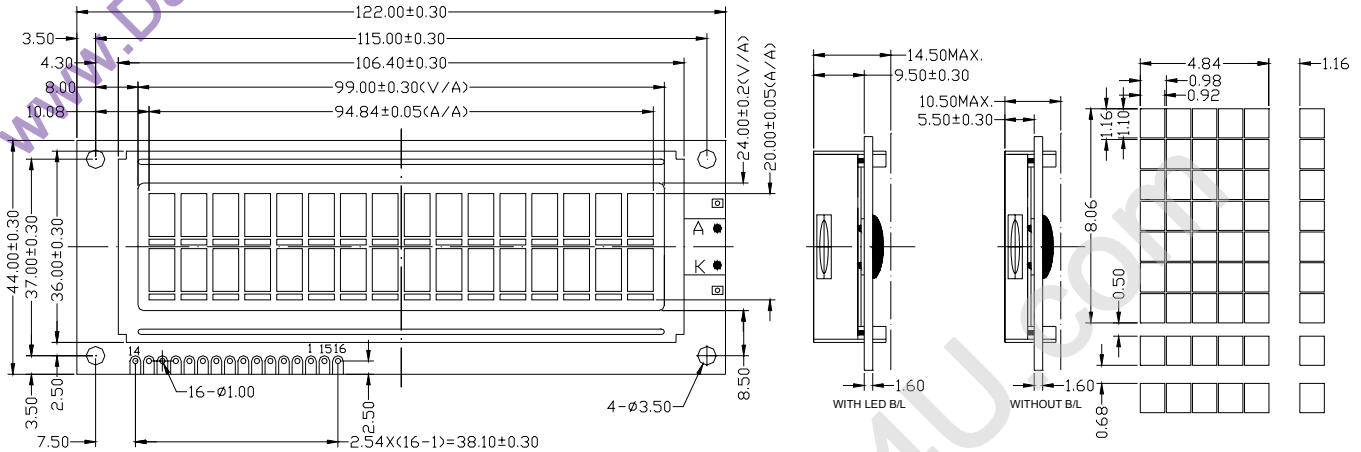
液晶之友 电话: 020-33819057

Http://www.lcdfriends.com

## 1. Mechanical Specifications

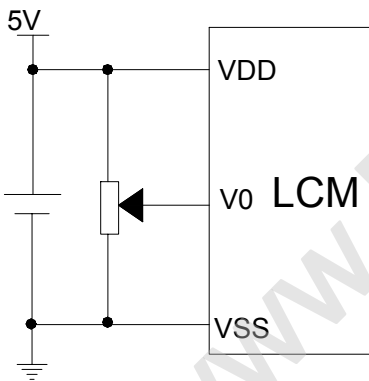
Display	Area(mm)	Outline(mm)
16CharactersX2Lines	Active Area: 4.84(W)X8.06(H)	Outline Dimension :122(W)X44(H)
Duty: 1/16	Dot Size:0.92(W)X1.1(H)	Thickness With B/L: 14.5Max
Viewing Area:99(W)X24(H)	Dot Pitch: 0.98(W)X1.16(H)	Thickness Without B/L: 10.5Max

## 2. External Dimension

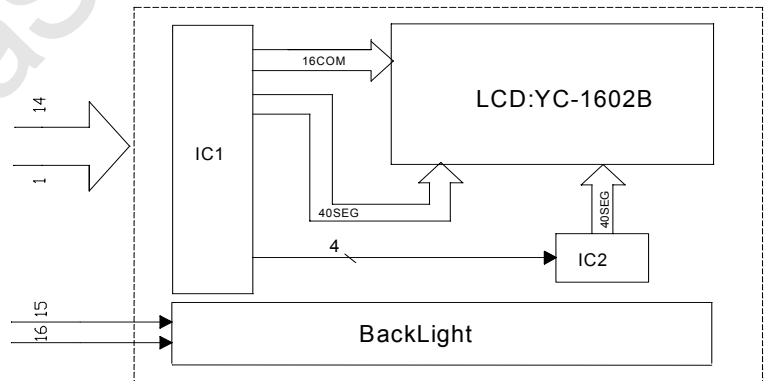


PIN	1	2	3	4	5	6	7	8	9	10	11	12	13	14	15	16
NAME	VSS	VDD	V0	RS	R/W	E	DB0	DB1	DB2	DB3	DB4	DB5	DB6	DB7	LED+	LED-

## 3. Power Supply



## 4. Block Diagram



## 5. Electrical Characteristics

Item	Symbol	Min.	Typ.	Max.	Unit	Condition
Supply Voltage(Logic)	Vdd	4.5	5	5.5	V	
Supply Current(Logic)	Idd	-	-	3	mA	Vdd=5V
LCD Operating Voltage	Vop	-	4.5	-	V	Ta=25°C
Supply Current for LCD	Iee	-	-	3	mA	Vdd=5V
Power Supply for B/L	V <sub>B/L</sub>	-	4.2	-	V	