

# YC-1602D Series

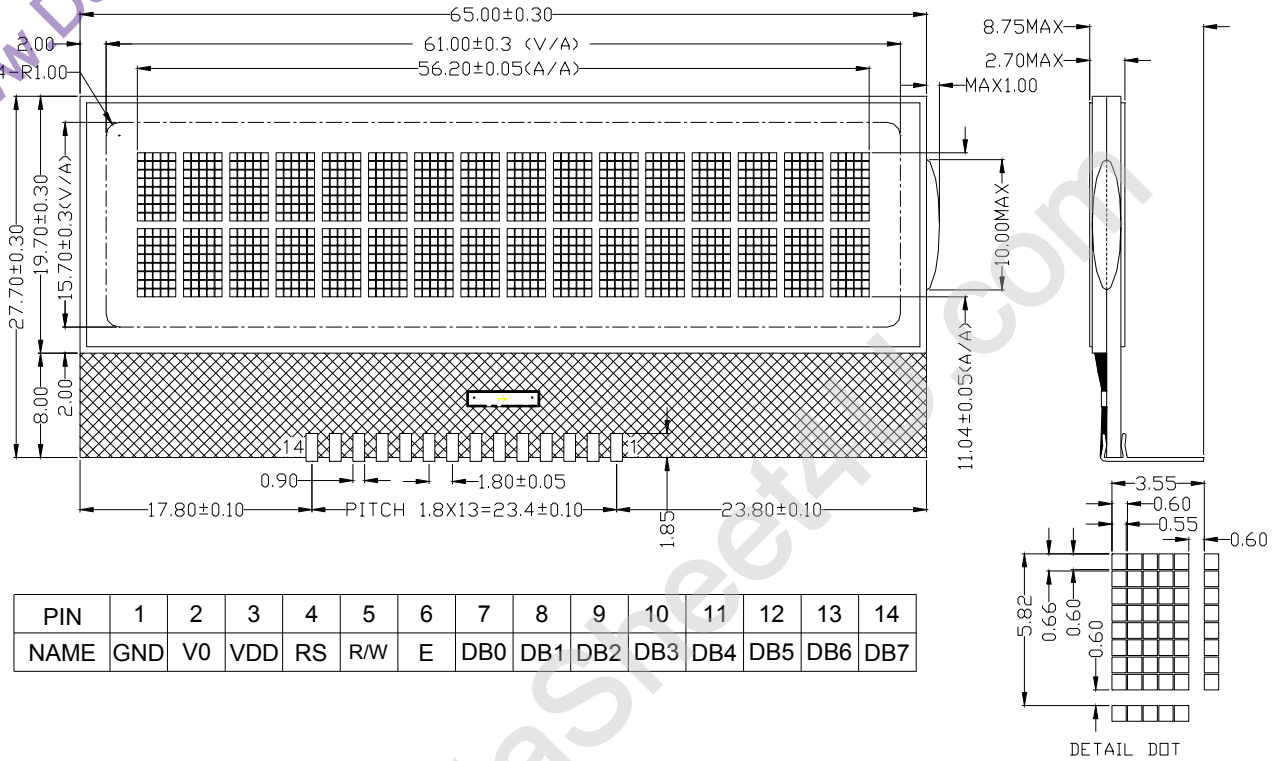
液晶之友 电话: 020-33819057

Http://www.ledfriends.com

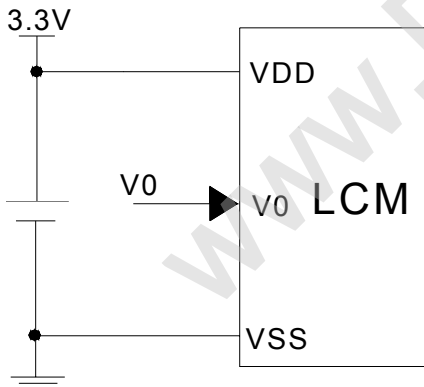
## 1. Mechanical Specifications

Display Area(mm)		Outline(mm)
16CharactersX2Lines	Active Area:2.95(W)X5.52(H)	Outline Dimension :65(W)X27.7(H)
Duty: 1/16	Dot Size:0.55(W)X0.60(H)	Thickness With B/L:
Viewing Area:61(W)X15.7(H)	Dot Pitch: 0.60(W)X0.66(H)	Thickness Without B/L: 8.75Max

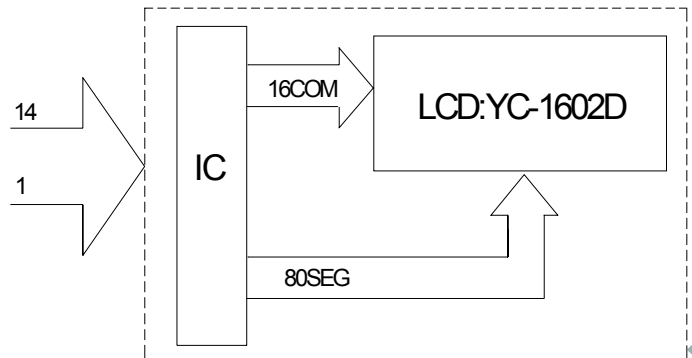
## 2. External Dimension



## 3. Power Supply



## 4. Block Diagram



## 5. Electrical Characteristics

Item	Symbol	Min.	Typ.	Max.	Unit	Condition
Supply Voltage(Logic)	Vdd	2.8	3.3	5.5	V	
Supply Current(Logic)	Idd	-	-	2	mA	Vdd=3.3V
LCD Operating Voltage	Vop	-	4.5	-	V	Ta=25°C
Supply Current for LCD	Iee			2	mA	Vdd=3.3V