

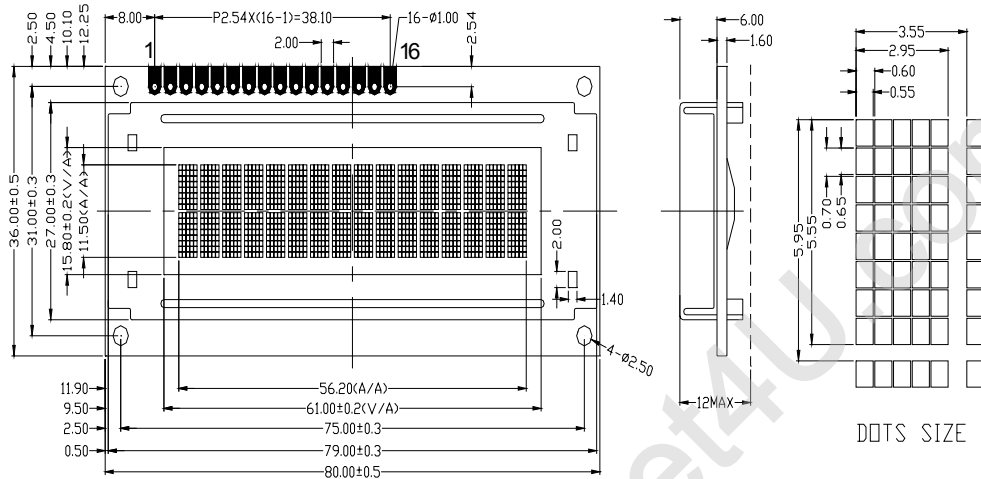
# YC-1602I Series

液晶之友 电话: 020-33819057  
<http://www.lcdfriends.com>

## 1. Mechanical Specifications

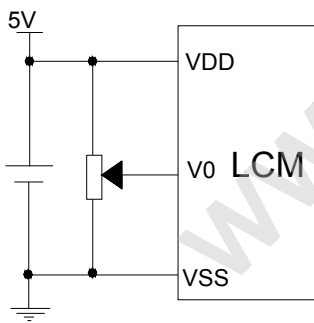
	Display Area(mm)	Outline(mm)
16CharactersX2Lines	Active Area: 2.95(W)X5.55(H)	Outline Dimension : 80(W)X36(H)
DUTY: 1/16	DOT Size: 0.55(W)X0.65(H)	Thickness With B/L: 12Max
Viewing Area: 61(W)x15.8(H)	DOT Pitch: 0.60(W)X0.70(H)	Thickness Without B/L:

## 2. External Dimension

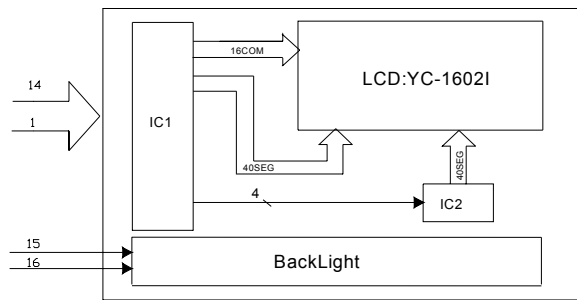


PIN	1	2	3	4	5	6	7	8	9	10	11	12	13	14	15	16
NAME	VSS	VDD	V0	RS	RW	E	DB0	DB1	DB2	DB3	DB4	DB5	DB6	DB7	LED+	LED-

## 3. Power Supply



## 4. Block Diagram



## 5. Electrical Characteristics

Item	Symbol	Min.	Typ.	Max.	Unit	Condition
Supply Voltage(Logic)	Vdd	4.5	5	5.5	V	
Supply Current(Logic)	Idd	-	-	3	mA	Vdd=5V
LCD Operating Voltage	Vop	-	4.5	-	V	Ta=25°C
Supply Current for LCD	Iee	-	-	3	mA	Vdd=5V
Power Supply for B/L	V <sub>B/L</sub>	-	4.2	-	V	