

YC-1602J Series

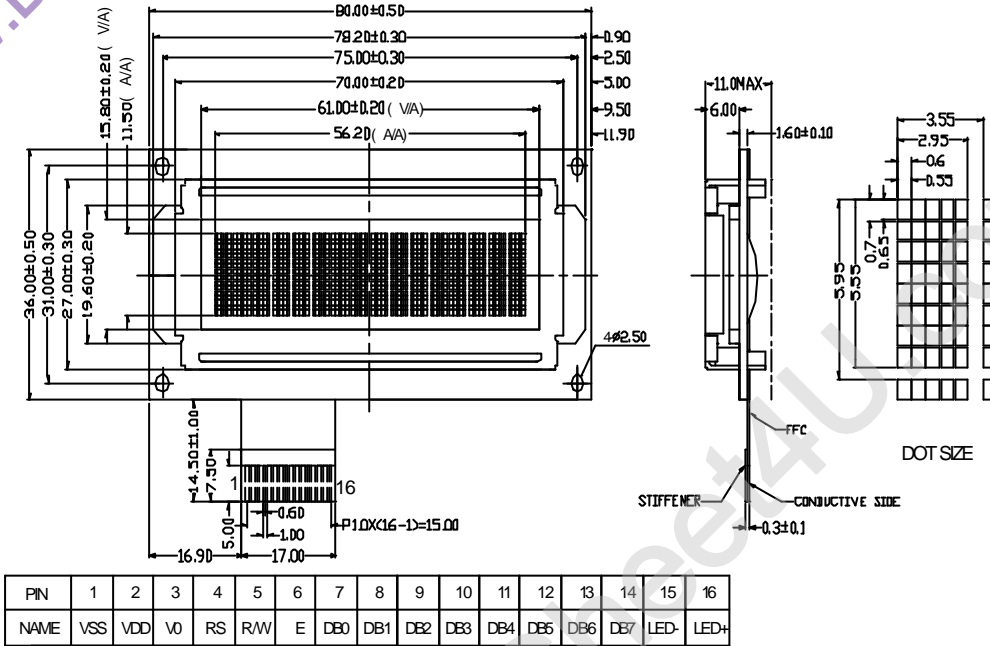
液晶之友 电话: 020-33819057

http://www.lcdfriends.com

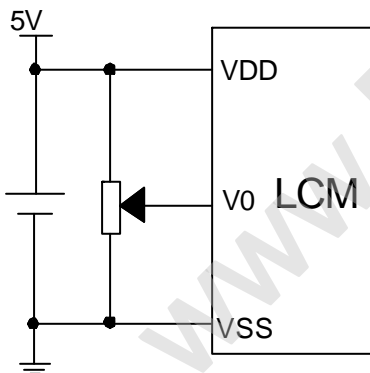
1. Mechanical Specifications

	Display Area(mm)	Outline(mm)
16CharactersX2Lines	Active Area: 2.95(W)X5.55(H)	Outline Dimension :61(W)X15.8(H)
Duty: 1/16	Dot Size:0.55(W)X0.65(H)	Thickness With B/L: 11Max
Viewing Area:80(W)X36(H)	Dot Pitch: 0.6(W)X0.7(H)	Thickness Without B/L:

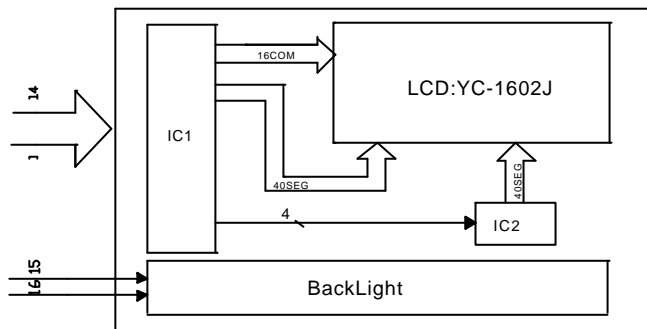
2. External Dimension



3. Power Supply



4. Block Diagram



5. Electrical Characteristics

Item	Symbol	Min.	Typ.	Max.	Unit	Condition
Supply Voltage(Logic)	Vdd	4.5	5	5.5	V	
Supply Current(Logic)	Idd	-	-	3	mA	Vdd=5V
LCD Operating Voltage	Vop	-	4.5	-	V	Ta=25
Supply Current for LCD	Iee	-	-	3	mA	Vdd=5V
Power Supply for B/L	V _{B/L}	-	4.2	-	V	