

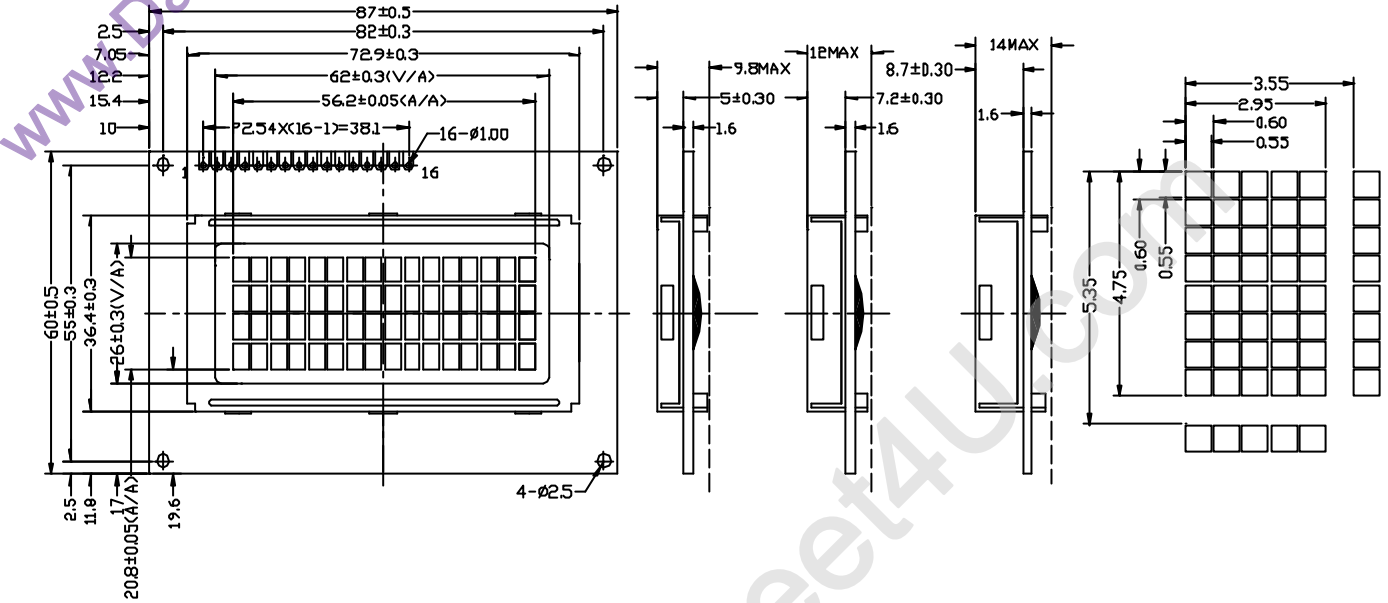
# YC-1604A Series

液晶之友 电话: 020-33819057  
Http://www.lcdfriends.com

## 1. Mechanical Specifications

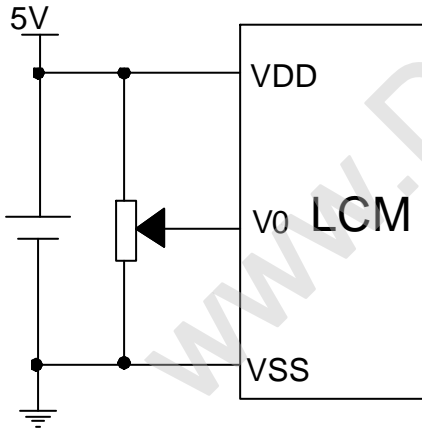
Display Area(mm)		Outline(mm)
16CharactersX4Lines	Active Area: 2.95(W)X4.75(H)	Outline Dimension: 87(W)X60(H)
Duty: 1/16	Dot Size: 0.55(W)X0.55(H)	Thickness With B/L: 12Max/14Max
Viewing Area: 62(W)X26(H)	Dot Pitch: 0.60(W)X0.60(H)	Thickness Without B/L: 9.8Max

## 2. External Dimension

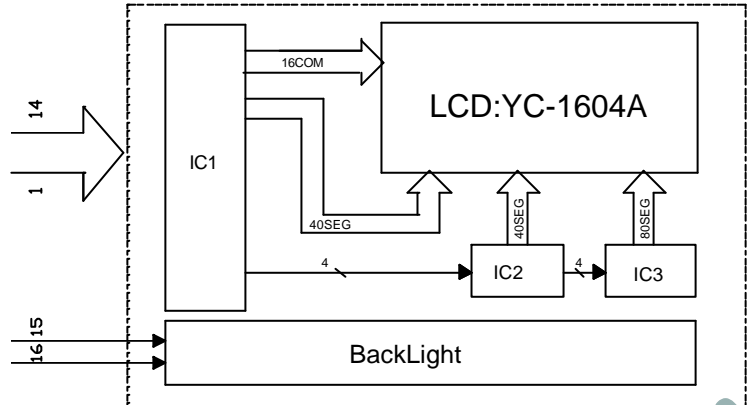


PIN	1	2	3	4	5	6	7	8	9	10	11	12	13	14	15	16
NAME	VSS	VDD	V0	RS	RW	E	DB0	DB1	DB2	DB3	DB4	DB5	DB6	DB7	LED+	LED-

## 3. Power Supply



## 4. Block Diagram



## 5. Electrical Characteristics

Item	Symbol	Min.	Typ.	Max.	Unit	Condition
Supply Voltage(Logic)	V <sub>dd</sub>	4.5	5	5.5	V	
Supply Current(Logic)	I <sub>dd</sub>	-	-	3	mA	V <sub>dd</sub> =5V
LCD Operating Voltage	V <sub>op</sub>	-	4.5	-	V	f <sub>a</sub> =25
Supply Current for LCD	I <sub>ee</sub>	-	-	3	mA	V <sub>dd</sub> =5V
Power Supply for B/L	V <sub>B/L</sub>	-	4.2	-	V	