

YC-2001A Series

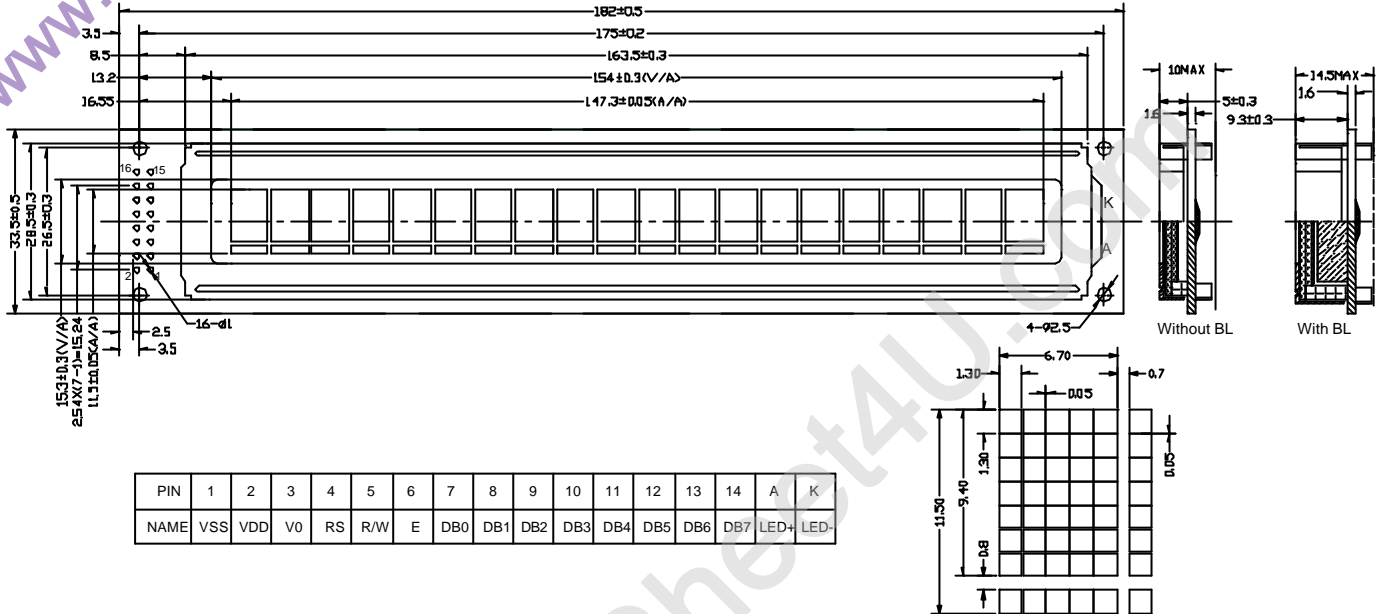
液晶之友 电话: 020-33819057

Http://www.lcdfriends.com

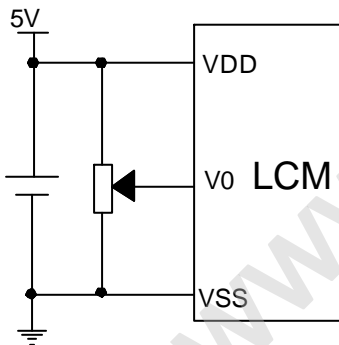
1. Mechanical Specifications

Display	Area(mm)	Outline(mm)
20CharactersX1Lines	Active Area: 0.7(W)X9.4(H)	Outline Dimension :182(W)X33.5(H)
Duty: 1/16	Dot Size:1.30(W)X1.30(H)	Thickness With B/L: 14.5Max
Viewing Area:154(W)X15.3(W)	Dot Pitch: 1.35(W)X1.35(H)	Thickness Without B/L: 10Max

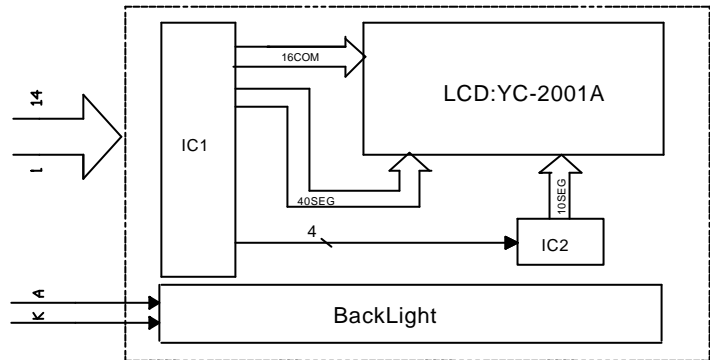
2. External Dimension



3. Power Supply



4. Block Diagram



5. Electrical Characteristics

Item	Symbol	Min.	Typ.	Max.	Unit	Condition
Supply Voltage(Logic)	Vdd	4.5	5	5.5	V	
Supply Current(Logic)	Idd	-	-	3	mA	Vdd=5V
LCD Operating Voltage	Vop	-	4.5	-	V	Ta=25
Supply Current for LCD	Iee	-	-	3	mA	Vdd=5V
Power Supply for B/L	V _{B/L}	-	4.2	-	V	