

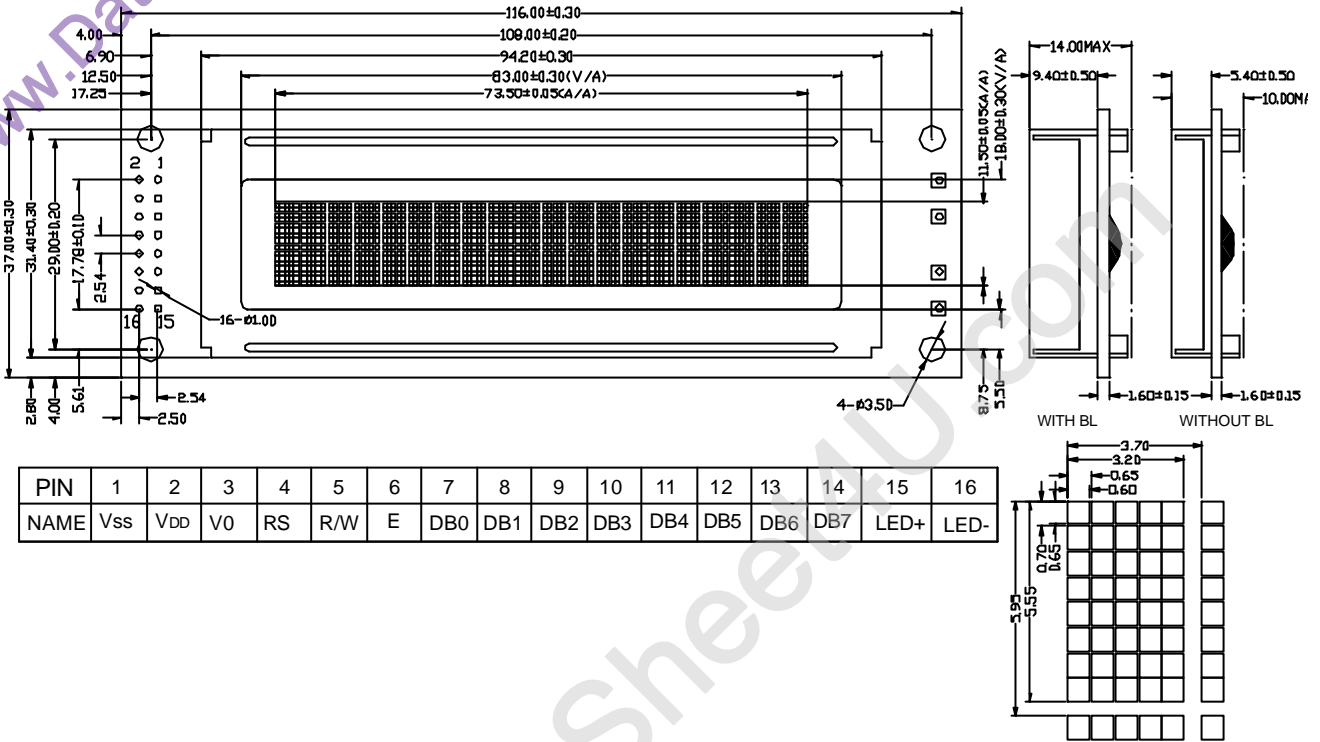
# YC-2002A Series

液晶之友 电话: 020-33819057  
<http://www.lcdfriends.com>

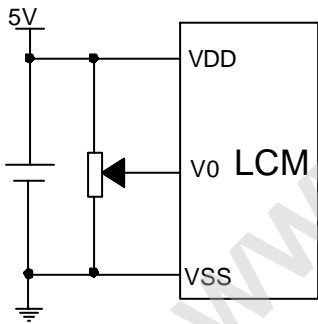
## 1. Mechanical Specifications

Display Area(mm)	Outline(mm)
20CharactersX2Lines	Outline Dimension : 116(W)X37(H)
Duty: 1/16	Thickness With B/L: 14Max
Viewing Area: 83(W)x18.0(H)	Thickness Without B/L: 10Max

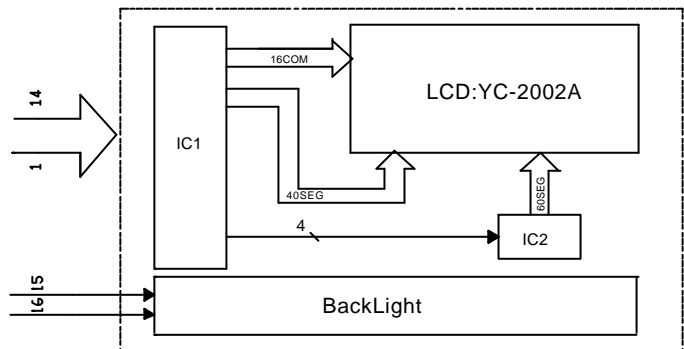
## 2. External Dimension



## 3. Power Supply



## 4. Block Diagram



## 5. Electrical Characteristics

Item	Symbol	Min.	Typ.	Max.	Unit	Condition
Supply Voltage(Logic)	Vdd	4.5	5	5.5	V	
Supply Current(Logic)	Idd	-	-	3	mA	Vdd=5V
LCD Operating Voltage	Vop	-	4.5		V	Ta=25
Supply Current for LCD	Iee	-	-	3	mA	Vdd=5V
Power Supply for B/L	V <sub>B/L</sub>	-	4.2	-	V	