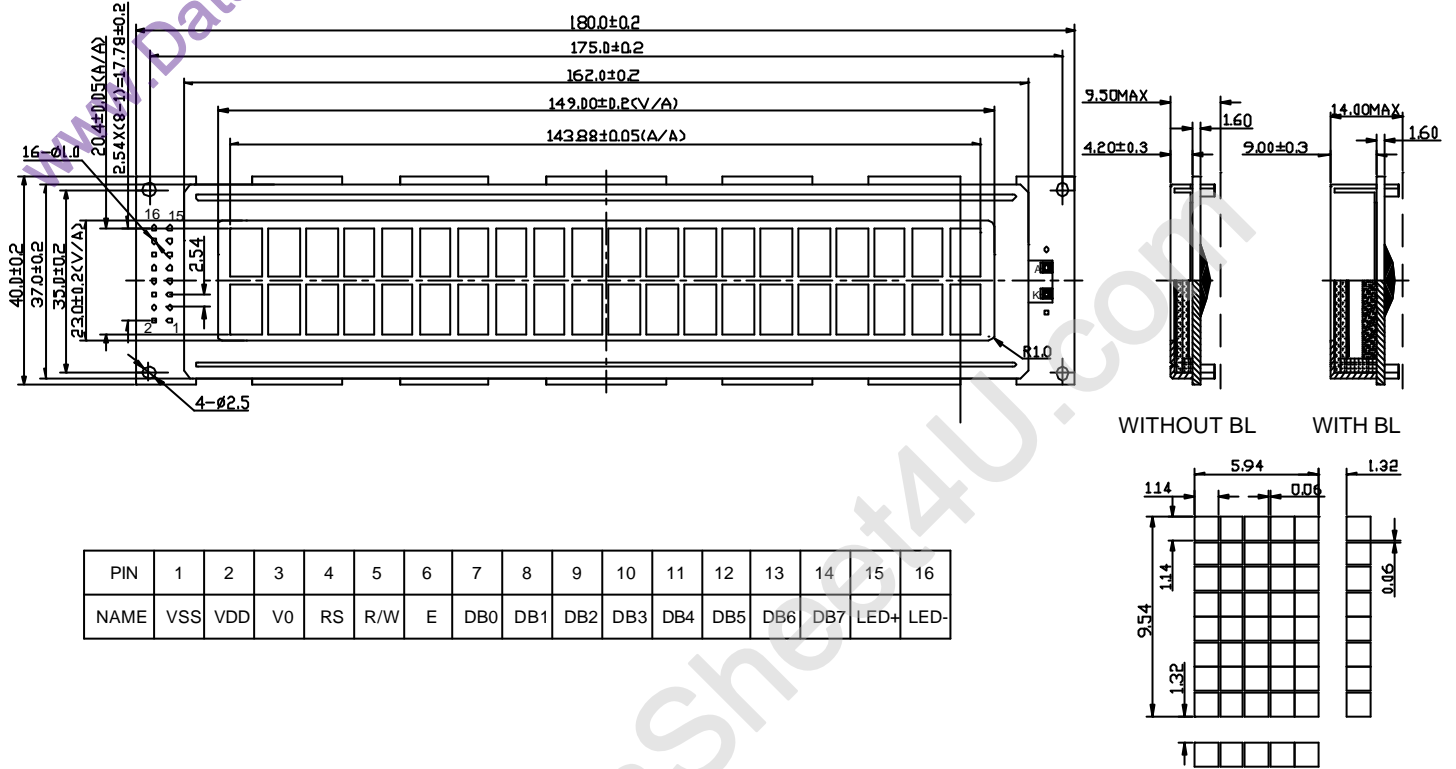


## 1. Mechanical Specifications

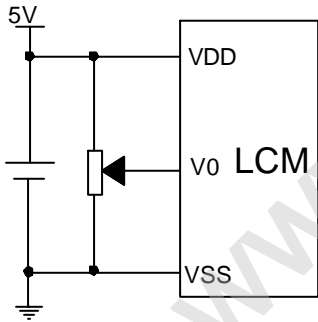
Display Area(mm)		Outline(mm)
20CharactersX2Lines	Active Area:5.94(W)X9.54(H)	Outline Dimension : 180(W)X40(H)
Duty: 1/16	Dot Size: 1.14(W)X1.14(H)	Thickness With B/L: 14Max
Viewing Area:149(W)X23 (H)	Dot Pitch: 1.20(W)X1.20(H)	Thickness Without B/L: 9.5Max

## 2. External Dimension

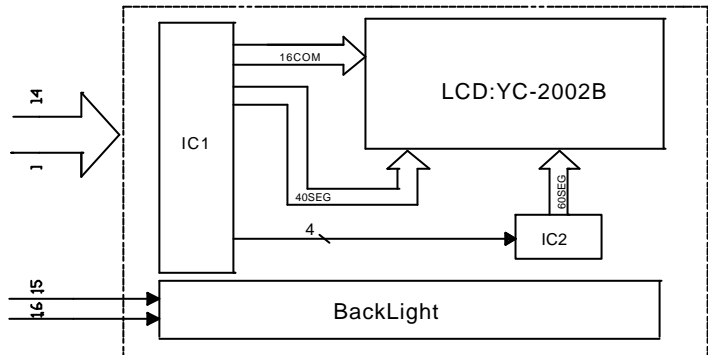


PIN	1	2	3	4	5	6	7	8	9	10	11	12	13	14	15	16
NAME	VSS	VDD	V0	RS	R/W	E	DB0	DB1	DB2	DB3	DB4	DB5	DB6	DB7	LED+	LED-

## 3. Power Supply



## 4. Block Diagram



## 5. Electrical Characteristics

Item	Symbol	Min.	Typ.	Max.	Unit	Condition
Supply Voltage(Logic)	Vdd	4.5	5	5.5	V	
Supply Current(Logic)	Idd	-	-	3	mA	Vdd=5V
LCD Operating Voltage	Vop	-	4.5	-	V	Ta=25
Supply Current for LCD	Iee	-	-	3	mA	Vdd=5V
Power Supply for B/L	V <sub>B/L</sub>	-	4.2	-	V	