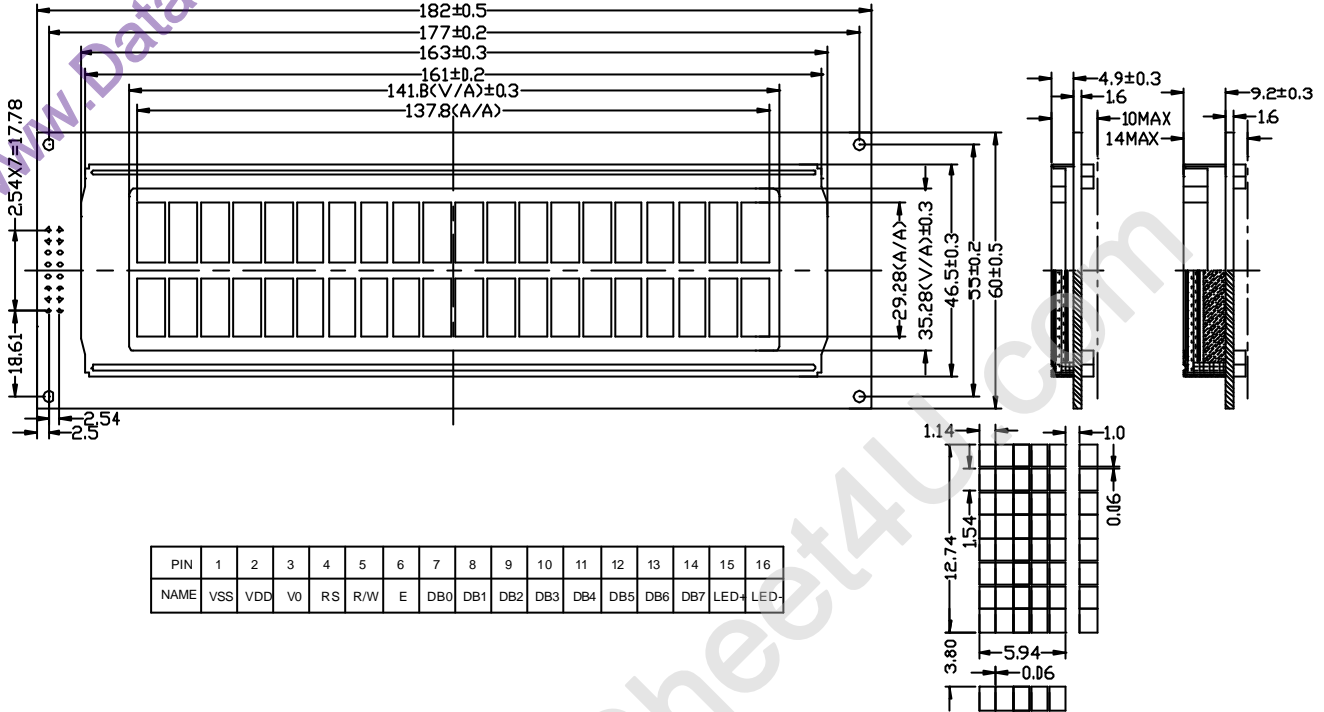


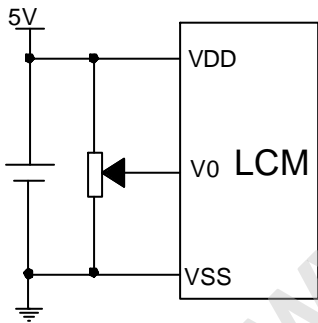
1. Mechanical Specification

Display Area(mm)		Outline(mm)
20CharactersX2Lines	Active Area:5.94(W)X12.74(H)	Outline Dimension : 182(W)X60(H)
Duty: 1/16	Dot Size: 1.14(W)X1.54(H)	Thickness With B/L: 14Max
Viewing Area:141.8(W)X35.28(H)	Dot Pitch:1.20(W)X1.60(H)	Thickness Without B/L:10Max

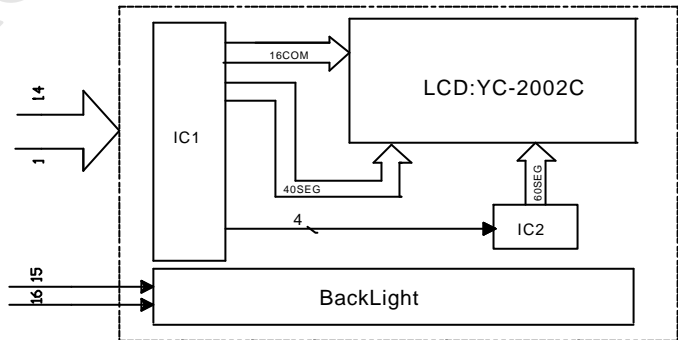
2. External Dimension



3. Power Supply



4. Block Diagram



5. Electrical Characteristics

Item	Symbol	Min.	Typ.	Max.	Unit	Condition
Supply Voltage(Logic)	Vdd	4.5	5	5.5	V	
Supply Current(Logic)	Idd	-	-	3	mA	Vdd=5V
LCD Operating Voltage	Vop	-	4.5	-	V	Ta=25
Supply Current for LCD	Iee	-	-	3	mA	Vdd=5V
Power Supply for B/L	V <sub>B/L</sub>	-	4.2	-	V	