

YC-2002D Series

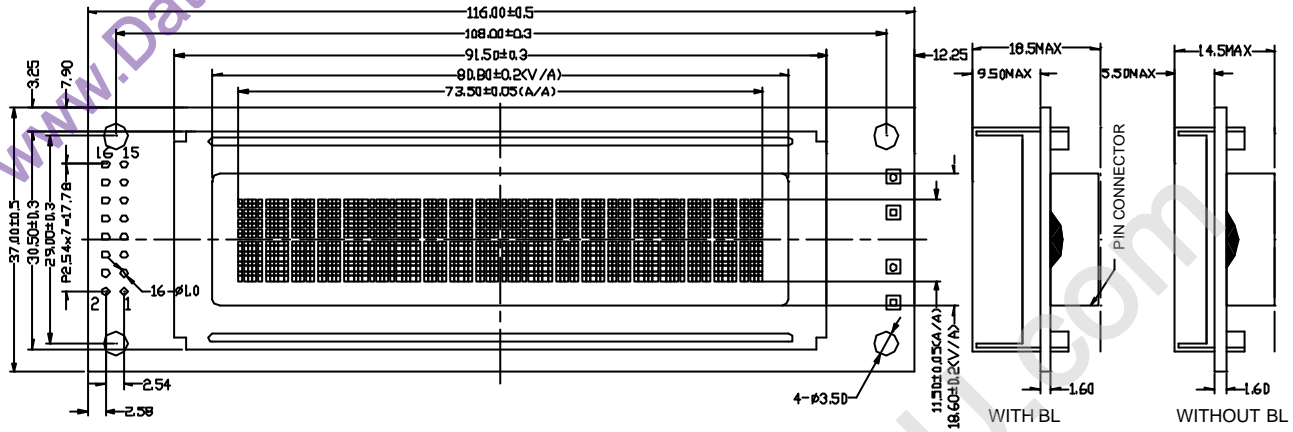
液晶之友 电话: 020-33819057

Http://www.lcdfriends.com

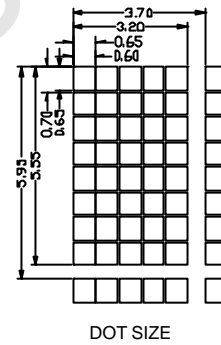
1. Mechanical Specifications

Display Area(mm)	Outline(mm)
20CharactersX2Lines Active Area:3.70(W)X5.55(H)	Outline Dimension : 116(W)X37(H)
Duty: 1/16 Dot Size: 0.60(W)X0.65(H)	Thickness With B/L: 18.5Max
Viewing Area: 80.8(W)x18.6(H) Dot Pitch: 0.65(W)X0.70(H)	Thickness Without B/L: 14.5Max

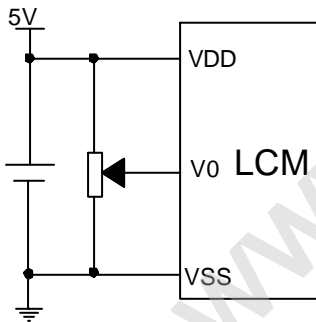
2. External Dimension



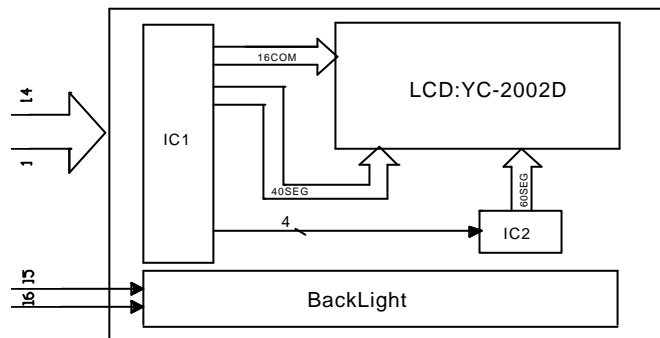
PIN	1	2	3	4	5	6	7	8	9	10	11	12	13	14	15	16
NAME	Vss	VDD	V0	RS	R/W	E	DB0	DB1	DB2	DB3	DB4	DB5	DB6	DB7	LED+	LED-



3. Power Supply



4. Block Diagram



5. Electrical Characteristics

Item	Symbol	Min.	Typ.	Max.	Unit	Condition
Supply Voltage(Logic)	Vdd	4.5	5	5.5	V	
Supply Current(Logic)	Idd	-	-	3	mA	Vdd=5V
LCD Operating Voltage	Vop	-	3		V	Ta=25
Supply Current for LCD	Iee	-	-	3	mA	Vdd=5V
Power Supply for B/L	V _{B/L}	-	4.2	-	V	