

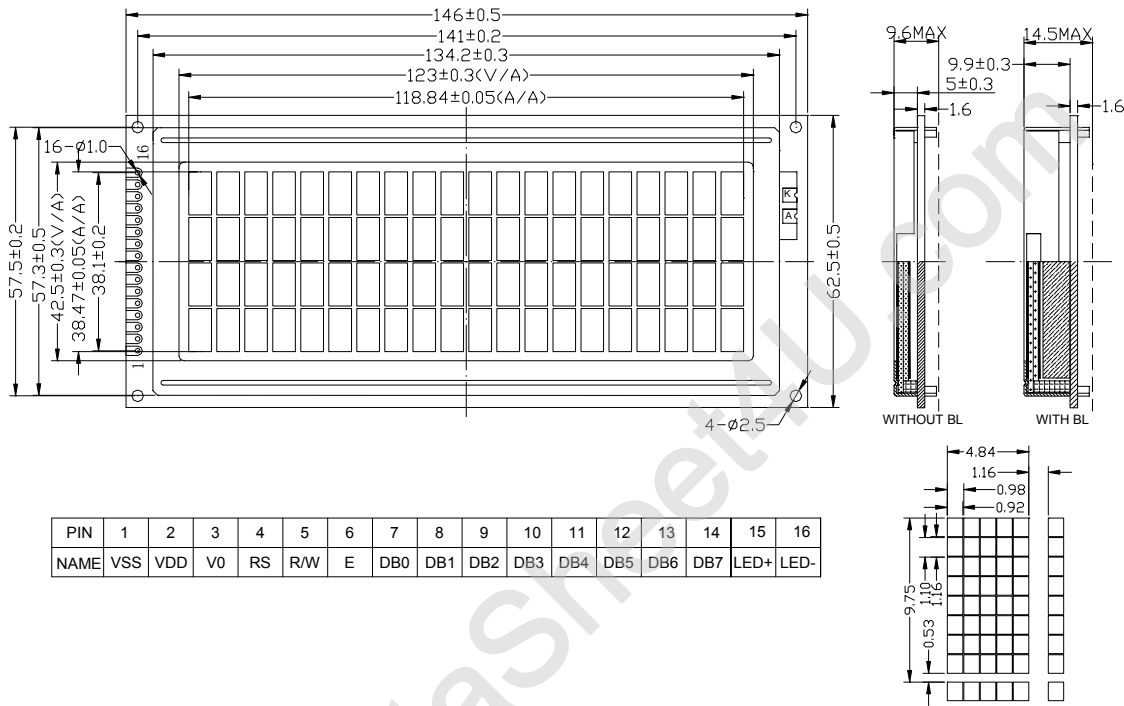
YC-2004B Series

液晶之友 电话: 020-33819057
Http://www.lcdfriends.com

1. Mechanical Specifications

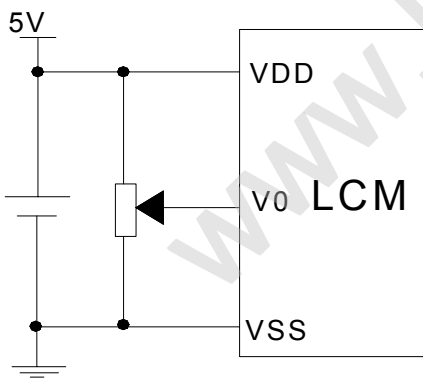
| Display Area(mm) | | Outline(mm) |
|------------------------------|---------------------------------|------------------------------------|
| 20CharactersX4Lines | Active Area: 118.84(W)X38.47(H) | Outline Dimension : 146(W)X62.5(H) |
| Duty: 1/16 | Dot Size: 0.92(W)X1.1(H) | Thickness With B/L: 14.5Max |
| Viewing Area: 123(W)X42.5(H) | Dot Pitch: 0.98(W)X1.16(H) | Thickness Without B/L: 9.6Max |

2. External Dimension

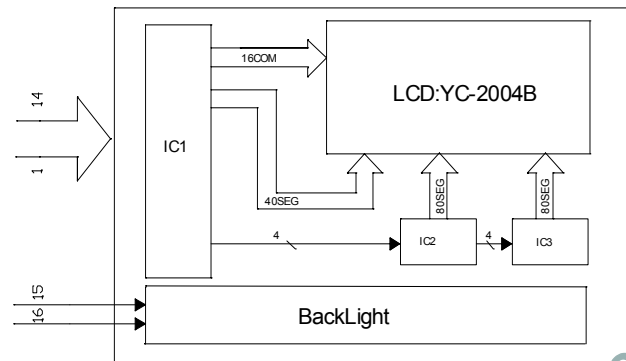


| PIN | 1 | 2 | 3 | 4 | 5 | 6 | 7 | 8 | 9 | 10 | 11 | 12 | 13 | 14 | 15 | 16 |
|------|-----|-----|----|----|-----|---|-----|-----|-----|-----|-----|-----|-----|-----|------|------|
| NAME | VSS | VDD | V0 | RS | R/W | E | DB0 | DB1 | DB2 | DB3 | DB4 | DB5 | DB6 | DB7 | LED+ | LED- |

3. Power Supply



4. Block Diagram



5. Electrical Characteristics

| Item | Symbol | Min. | Typ. | Max. | Unit | Condition |
|------------------------|------------------|------|------|------|------|-----------|
| Supply Voltage(Logic) | Vdd | 4.5 | 5 | 5.5 | V | |
| Supply Current(Logic) | Idd | - | 2 | 3 | mA | Vdd=5V |
| LCD Operating Voltage | Vop | - | 4.5 | - | V | Ta=25°C |
| Supply current for LCD | Iee | - | - | 1.6 | mA | Vdd=5V |
| Power Supply for B/L | V _{B/L} | - | 4.2 | - | V | |