

JFET INPUT QUAD OPERATIONAL AMPLIFIER—YD084

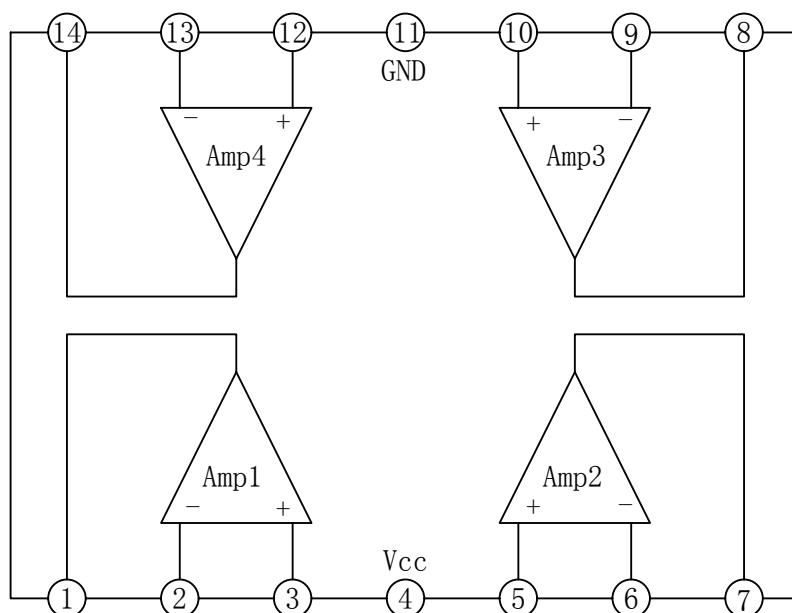
DESCRIPTION

The YD084 are high speed JFET input quad operational amplifiers incorporating well matched, high voltage JFET and Bipolar transistors in a monolithic integrated circuit.

FEATURES

- *Wide common-mode (up to V_{CC}) and differential voltage range.
- *Low input bias and offset current.
- *Output short-circuit protection
- *High input impedance JFET input stage.
- *Internal frequency compensation.
- *Latch up free operation.
- *High slew rate: $13V/\mu S$ (typ).

BLOCK DIAGRAM



WuXi YouDa Electronics Co., Ltd

Add: No.5 Xijin Road, National Hi-Tech Industrial Development Zone, Wuxi Jiangsu China

Tel: 86-510-85205117 86-510-85205106 Fax: 86-510-85205110 Website: www.e-youda.com

SHENZHEN OFFICE Tel: 86-755-83740369 Fax: 86-755-83741418

YOU DA INTEGRATED CIRCUIT

YD084

ABSOLUTE MAXIMUM RATINGS ($T_{amb}=25^{\circ}\text{C}$)

PARAMETER	SYMBOL	VALUE	UNIT
Supply Voltage	V_{CC}/V_{EE}	± 18	V
Differential Input Voltage	V_{ID}	± 30	V
Input Voltage	V_{IC}	± 15	V
Power Dissipation	P_D	680	mW
Operating temperature	T_{opr}	0~70	$^{\circ}\text{C}$
Storage Temperature	T_{stg}	-55~150	$^{\circ}\text{C}$

ELECTRICAL CHARACTERISTICS($V_{CC}=15\text{V}$, $V_{EE}=-15\text{V}$, $T_{amb}=25^{\circ}\text{C}$, Unless otherwise specified)

PARAMETER	SYMBOL	TEST CONDITIONS	MIN	TYP	MAX	UNIT
Supply current	I_{CC}	No load		1.4	2.8	mA
Input offset voltage	V_{IO}			3	10	mV
Input offset current	I_{IO}			5	200	pA
Input bias current	I_{IB}			30	400	pA
Input common mode voltage	V_{IC}		± 11	± 15		V
Output voltage swing	V_{OM1}	$R_L=10\text{k}\Omega$	± 12	± 13.5		V
Output voltage swing	V_{OM2}	$R_L=2\text{k}\Omega$	± 10	± 12		V
Unity-gain Gain	GB			3		MHz
Input Resistance	Z_{in}			10^{12}		Ω
Output short-circuit current	I_{OS}		10	40	60	mA
Common mode rejection ratio	K_{CMR}		70	86		dB
Supply voltage rejection ratio	K_{SVR}		70	86		dB
Crosstalk Attenuation	C_S			120		dB

OUTLINE DRAWING

DIP-14

unit:mm

