

SINGLE-CHIP FM/AM RADIO IC—YD1191

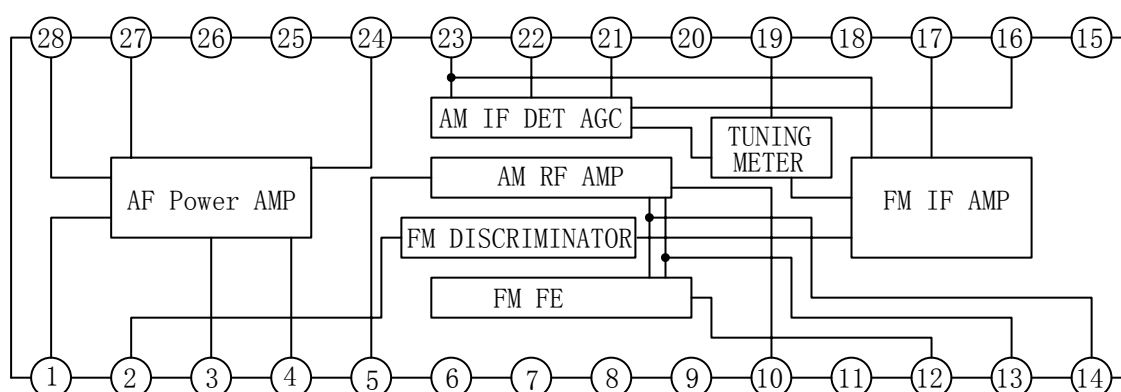
DESCRIPTION

The YD1191 is a one-chip FM/AM radio IC designed for radio-cassette tape recorders.

FEATURES

- *Small number of peripheral components.
- *Low current consumption ($V_{cc}=3V$)
 - For FM:ID=5.3mA (Typ.)
 - For AM:ID=3.4mA (Typ.)
- *Built-in FM/AM select switch.
- *Built-in RF AGC, IF AGC circuit.
- *Tuning LED driver.
- *Large output of AF amplifier.
 - $V_{cc}=6V$,EIAJ output=500mW (Typ.)
 - When load impedance $8\ \Omega$

BLOCK DIAGRAM



WuXi YouDa Electronics Co., Ltd

Add: No.5 Xijin Road, National Hi-Tech Industrial Development Zone, Wuxi Jiangsu China

Tel: 86-510-85205117 86-510-85205106 Fax: 86-510-85205110 Website: www.e-youda.com

SHENZHEN OFFICE Tel: 86-755-83740369 Fax: 86-755-83741418

YOU DA INTEGRATED CIRCUIT

YD1191

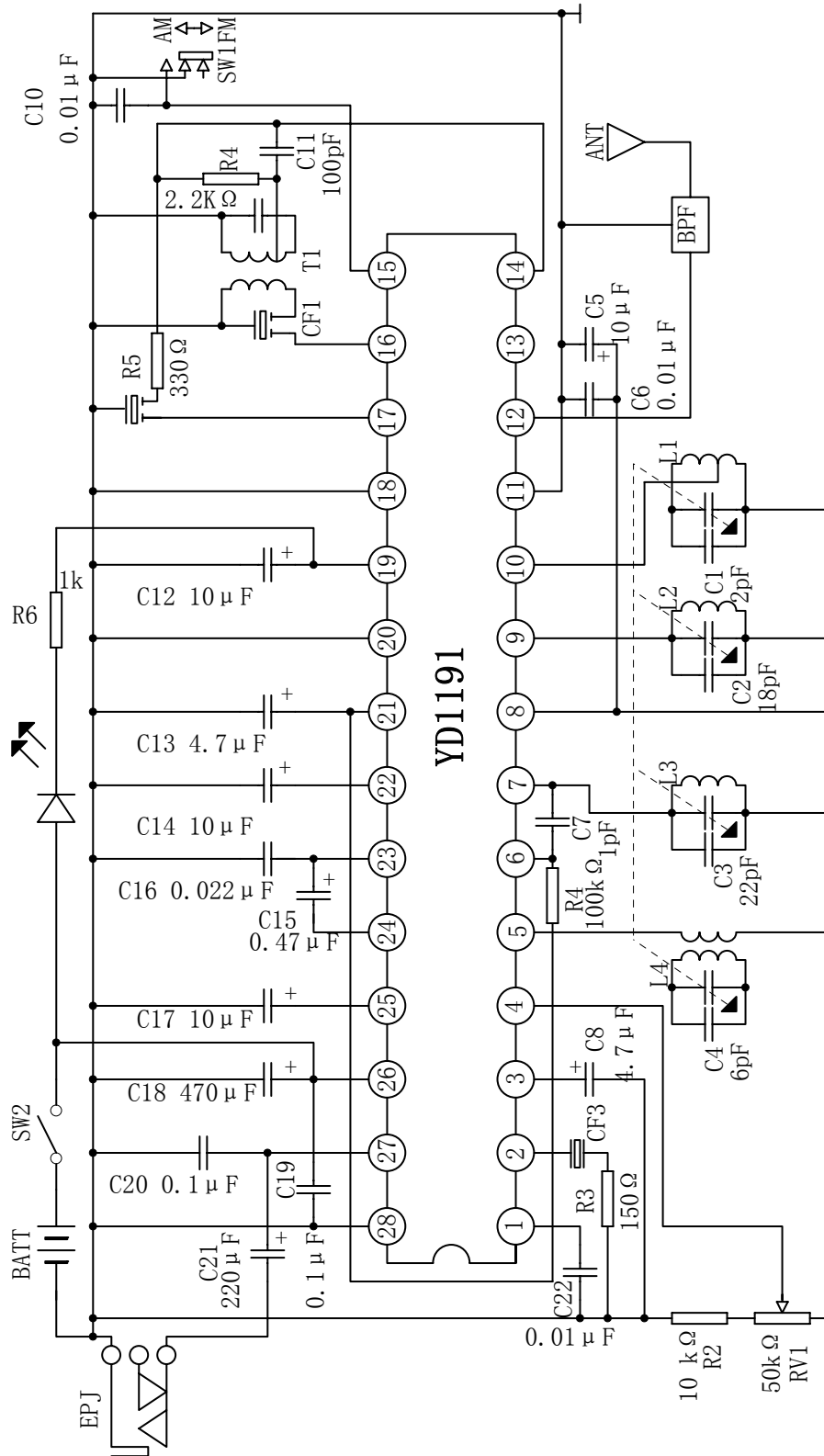
ABSOLUTE MAXIMUM RATINGS (Tamb=25°C)

PARAMETER	SYMBOL	VALUE	UNIT
Supply Voltage	V _{CC}	9	V
Power Dissipation	P _D	700	mW
Operating Temperature	T _{opr}	-10~+70	°C
Storage Temperature	T _{stg}	-50~+125	°C

ELECTRICAL CHARACTERISTICS (Tamb=25°C, V_{CC}=6V, Unless otherwise specified)

PARAMETER	SYMBOL	TEST CONDITIONS	MIN	TYP	MAX	UNIT
Quiescent Current	I _{ccq}	AM, Vin=0		3.5	10.0	mA
		FM, Vin=0		7.0	14.0	
FM:						
Front End Voltage Gain	A _{V1}	Vin1=40dB μ V/100MHz	32	39	46	dB
Detection Output	V _{D1}	Vin1=90dB μ V/10.7MHz (1kHz, 22.5kHz DEV)	39	77.5	155	mV
IF Knee Level	V _{SEN1}	V _{in3} =level at a point 3dB down		24	32	dB μ V
Detection Output Distortion Factor	THD1	Vin1=90dB μ V/10.7MHz (1KHz, 75kHz DEV)		0.3	2.0	%
FM Meter Current	I _{BI}	Vin3=60dB μ V/10.7MHz	1.8	3.5	7.0	mA
AM:						
Front End Voltage Gain	A _{V2}	Vin2=80dB μ V/1660kHz	15	22	29	dB
IF Voltage Gain	V _{SEN2}	455kHz(kHz 30% MOD), output is -3.4dBm	14	20	27	dB μ
Detector Output	V _{D2}	Vin3=85dB μ V/455kHz (1kHz, 30%MOD)	39	77.5	155	mV
Meter Current	I _{B2}	Vin3=85dB μ V/455kHz (kHz, 30%MOD)	1.3	3.0	7.0	mA
Detection Output Distortion Factor	THD2	Vin2=95dB μ V/1660kHz (1kHz, 30%MOD), V _{CC} =7.8V		0.6	2.0	%
Audio Voltage Gain	A _{V3}	Vin3=60dB μ V/10.7MHz Vin4=30dBm/1kHz	27	31.5	36	dB
Audio Distortion Factor	THD3	Vin3=60dB μ V/10.7MHz Vin4=-20dBm/1kHz Output is 50mW		0.3	2.5	%
Muting Level	A _{V4}	Vin3=0dB μ V/10.7MHz Vin4=-20dBm/1kHz Output is 50mW	8	15	22	dB

APPLICATION CIRCUIT



OUTLINE DRAWING

