

3V AM/FM ONE CHIP TUNER IC—YD2111

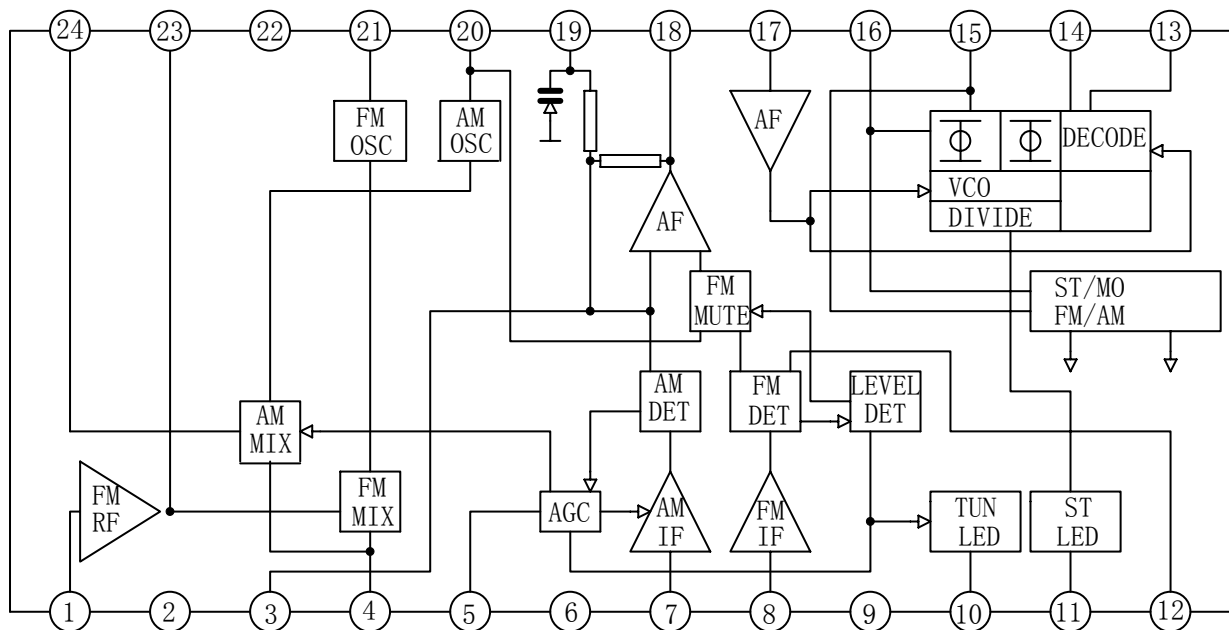
DESCRIPTION

The YD2111 are AM/FM 1 chip tuner ICs, which are designed for portable radios and 3V headphone radios.

FEATURES

- *For NEW FCC.
- *AM Detector coil, FM IFT, IF coupling condenser are not needed.
- *For adopting ceramic discriminator, it is not necessary to adjust the FM quad detector circuit.
- *Built-in FM MPX VCO circuit.
- *Built-in varactor diode for AFC.
- *Built-in AM low cut circuit.
- *Low supply current. ($V_{cc}=3V$, $T_{amb}=25^{\circ}C$)
 - I_{ccq} (FM)=9.0mA (typ.)
 - I_{ccq} (AM)=5.0mA (typ.)
- *Operating Supply Voltage Range: $V_{cc}=1.8\sim 7V$ ($T_{amb}=25^{\circ}C$)

BLOCK DIAGRAM



WuXi YouDa Electronics Co., Ltd

Add: No.5 Xijin Road, National Hi-Tech Industrial Development Zone, Wuxi Jiangsu China
 Tel: 86-510-85205117 86-510-85205106 Fax: 86-510-85205110 Website: www.e-youda.com
 SHENZHEN OFFICE Tel: 86-755-83740369 Fax: 86-755-83741418

YOU DA INTEGRATED CIRCUIT**YD2111****ABSOLUTE MAXIMUM RATINGS** (Tamb=25°C)

PARAMETER		SYMBOL	VALUE	UNIT
Supply Voltage		V _{CC}	8	V
LED Current		I _{LED}	10	mA
LED Voltage		V _{LED}	8	V
Power Dissipation	YD2111N	P _D (Note)	1200	mW
	YD2111F		400	
Operating Temperature		T _{opr}	-25~+75	°C
Storage Temperature		T _{stg}	-55~+150	°C

ELECTRICAL CHARACTERISTICS(Unless otherwise specified, Tamb=25°C, V_{CC}=3V, F/E : f=98MHz, fm=1kHz)

FM IF : f=10.7MHz, Δf=±22.5kHz, fm=1kHz

AM : f=1MHz, MOD=30%, fm=1kHz

MPX : fm=1kHz)

PARAMETER		SYMBOL	TEST CONDITIONS	MIN	TYP	MAX	UNIT
Quiescent Circuit Current		I _{cc} (FM)	V _{in} =0, FM mode		9	12.5	mA
		I _{cc} (AM)	V _{in} =0, AM mode		5	7.5	
F/E	Input Limiting Voltage	V _{in} (lim)	-3dB limiting		7		dB μ V
	Local OSC Voltage	V _{OSC}	f _{osc} =108.7 MHz		105		
FM IF	Input Limiting Voltage	V _{in} (lim) IF	-3 dB limiting	35	40	45	dB μ V
	Recovered Output Voltage	V _{OD}	V _{in} =80dB μ V	60	75	90	
	Signal to Noise Ratio	S/N	V _{in} =80dB μ VF		65		dB
	Total Harmonic Distortion	THD	V _{in} =80dB μ V		0.2		%
	AM Rejection Ration	AMR	V _{in} =80dB μ V		50		dB
	LED on Sensitivity	V _L	I _L =1mA	40	45	50	dB μ V
	Soft Mute Attenuation	MUTE	V _{in} =0		20		

YOU DA INTEGRATED CIRCUIT

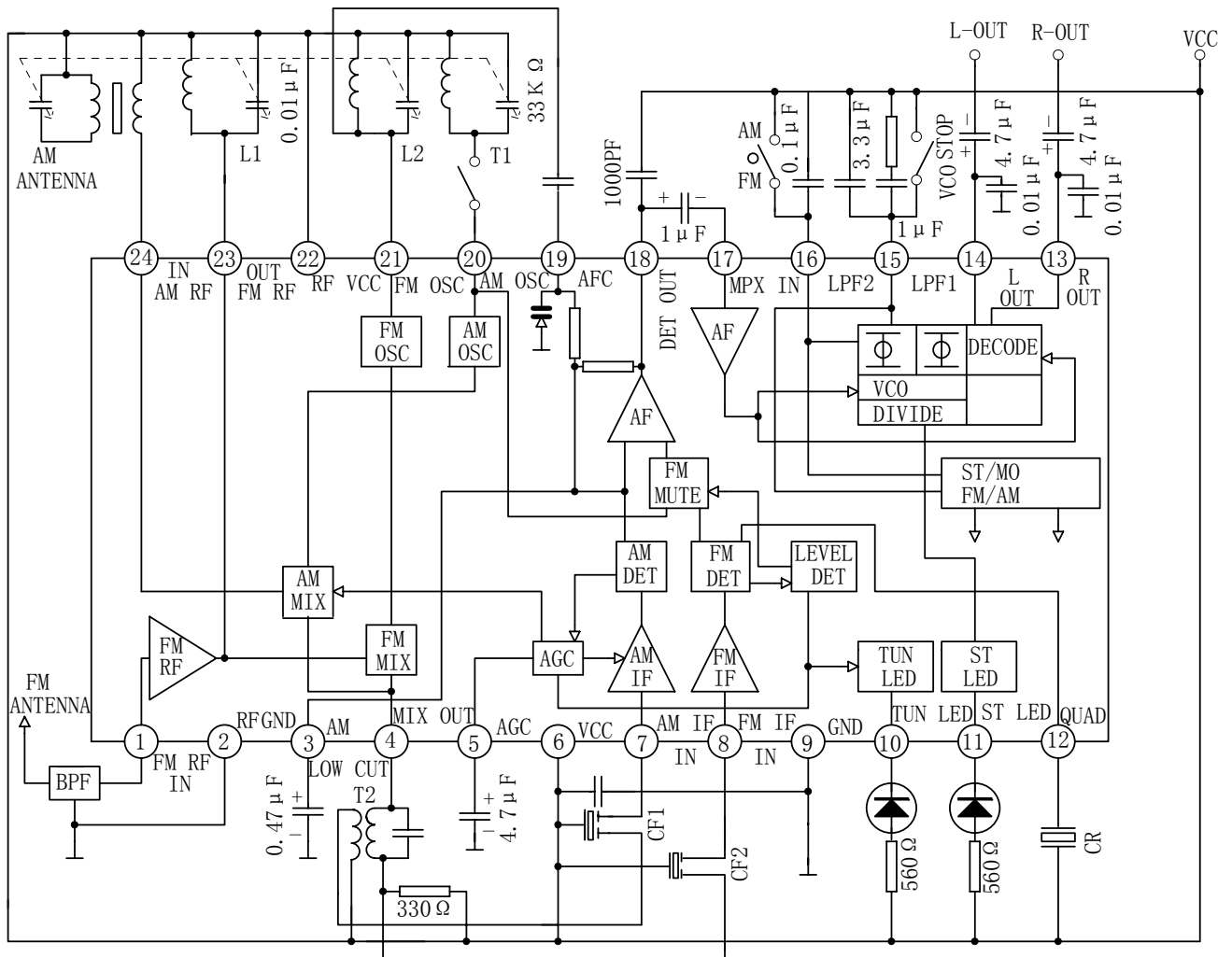
YD2111

AM	Gain		G_V	$V_{in}=25dB \mu V$	18	35	70	mV	
	Recovered Output Voltage		VOD	$V_{in}=60dB \mu V$	50	70	90	mV	
	Signal to Noise Ratio		S/N	$V_{in}=60dB \mu V$		41		dB	
	Total Harmonic Distortion		THD	$V_{in}=60dB \mu V$		0.7		%	
	LED on Sensitivity		V_L	$I_L=1mA$	23	28	33	$dB \mu V$	
Pin 18 Output Resistance			R18	FM mode		0.75		k Ω	
				AM mode		15.5			
MPX	Input Resistance		R_{IN}			55		k Ω	
	Output Resistance		R_{OUT}			5		k Ω	
	Max Composite Signal Input Voltage		$V_{in MAX}$ (Stereo)	L+R=90%, P=10%, fm=1kHz, THD=3%			700		mV
	Separation		Sep	L+R=180mV P=20mV	fm=100HZ		45		dB
					fm=1kHz	35	45		
					fm=10kHz		45		
	Total Harmonic Distortion	Monaural	THD	$V_{in}=200mV$			0.3		%
		Stereo	THD	L+R=180mV P=20mV			0.3		
	Voltage Gain		G_V	$V_{in}=200mV$	-2.5	-1	0.5		dB
	Channel Balance		C.B.	$V_{in}=200mV$	-1.5	0	1.5		dB
	Stereo LED Sensitivity	OFF	$V_L(ON)$	Pilot Input			8	12	mV
		ON	$V_L(OFF)$		3	6		mV	
	Stereo LED Hysteresis		V_H	LED ON \rightarrow OFF			2		
Capture Range		C.R.	P=20mV			± 8		%	
Signal to noise range		S/N				80		dB	

YOU DA INTEGRATED CIRCUIT

YD2111

APPLICATION CIRCUIT



YUDA INTEGRATED CIRCUIT

YD2111

OUTLINE DRAWING

SDIP24-P-300-1.78

Unit : mm

