

TV SOUND POWER AMPLIFIER—YD2611

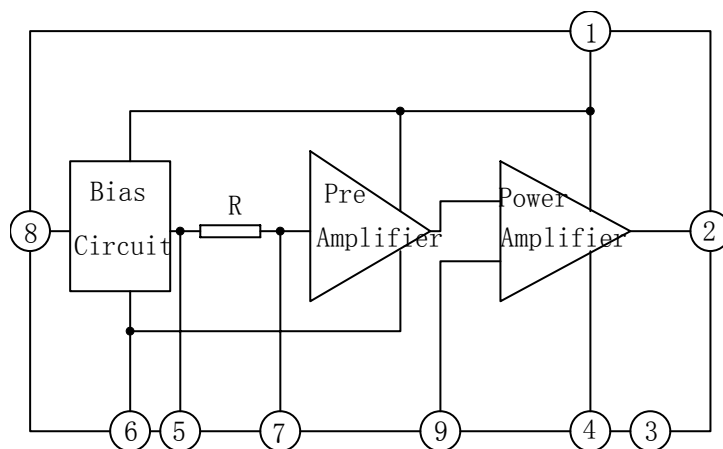
DESCRIPTION

The YD2611 is a monolithic integrated circuit designed for the TV sound power amplifier. It also can be used in audio power amplifier sets.

FEATURES

- *Wide operating voltage (6V to 35V)
- * Few external components
- *Fixed Closed Loop Gain
- *High input impedance
- *Built-in thermal protection circuit
- *Fine ripple rejection characteristic

BLOCK DIAGRAM



WuXi YouDa Electronics Co., Ltd

Add: No.5 Xijin Road, National Hi-Tech Industrial Development Zone, Wuxi Jiangsu China

Tel: 86-510-85205117 86-510-85205106 Fax: 86-510-5205110 Website: www.e-youda.com

SHENZHEN OFFICE Tel: 86-755-83740369 Fax: 86-755-83741418

ABSOLUTE MAXIMUM RATINGS ($T_{amb}=25^{\circ}\text{C}$)

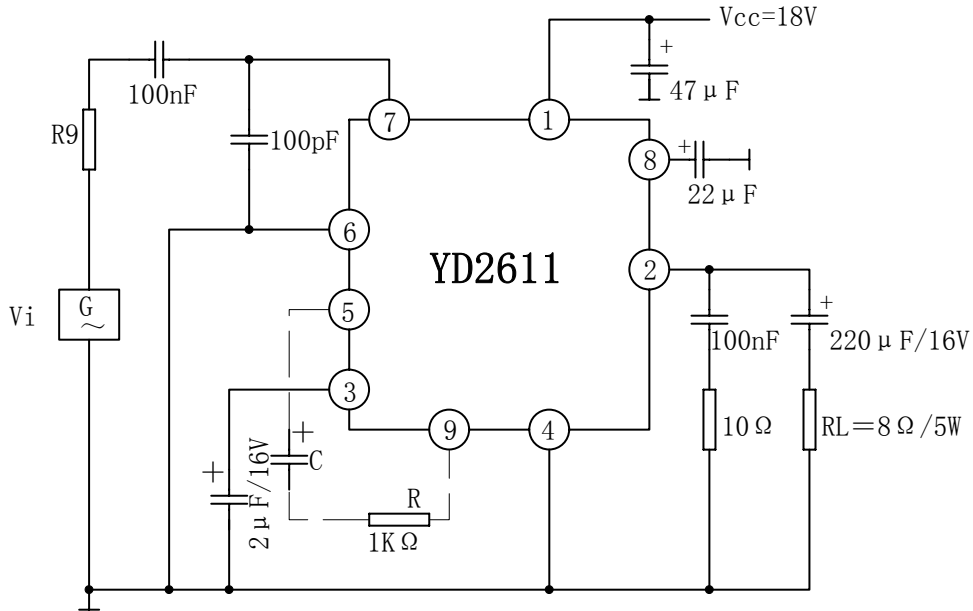
PARAMETER	SYMBOL	VALUE	UNIT
Supply Voltage	Vcc	35	V
Pulse Peak Output Current	Ios	3	A
Peak Output Current(continuously)	Ior	1.5	A
Operating Temperature	Topr	-25 to +75	$^{\circ}\text{C}$
Storage Temperature	Tstg	-55 to +150	$^{\circ}\text{C}$

ELECTRICAL CHARACTERISTICS

($T_{amb}=25^{\circ}\text{C}$, $V_{cc}=18\text{V}$, $R_L=8\ \Omega$, $f=1\text{kHz}$, Unless otherwise specified)

PARAMETER	SYMBOL	TEST CONDITIONS	MIN	TYP	MAX	UNIT
Quiescent Current	Icc	No input Signal		25		mA
Output Power	Po	$V_{cc}=18\text{V}$, $R_L=8\ \Omega$, THD=10%	4	4.5		W
		$V_{cc}=12\text{V}$, $R_L=8\ \Omega$, THD=10%		1.7		
		$V_{cc}=20\text{V}$, $R_L=15\ \Omega$, THD=10%		6		
		$V_{cc}=25\text{V}$, $R_L=8\ \Omega$, THD=10%		5		
Voltage Gain	G_v			38		dB
Total Harmonic Distortion	THD	$P_o=2\text{W}$		0.3	1.0	%
Bandwidth	BW		15			kHz
Noise Output Voltage	Vno	$R_g=5\ \text{k}\ \Omega$, 60HZ~15KHz		0.2	0.5	mV
Input Impedance	Z_i			45		$\text{k}\ \Omega$
Input Sensitivity	V_{is}	$P_o=2.5\text{W}$, $R_L=8\ \Omega$	44	55	66	mV
		$P_o=4.2\text{W}$		83		

APPLICATION CIRCUIT



OUTLINE DRAWING

