

---

---

## TV SOUND OUTPUT CIRCUIT—YD5265

### DESCRIPTION

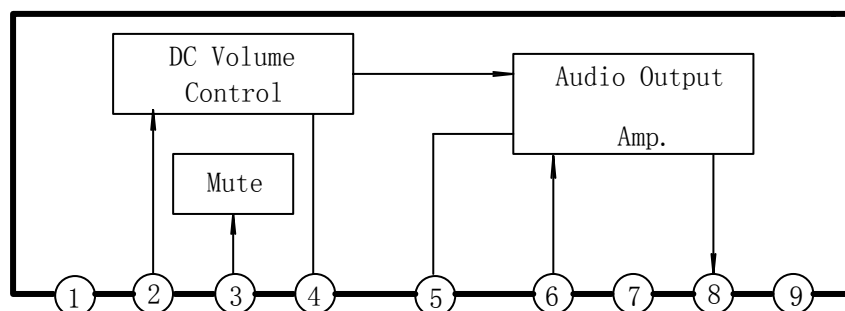
The YD5265 is a semiconductor integrated circuit designed for TV sound output circuit.

### FEATURES

\*DC Volume Adjustment Method Employed. Controlled with DC Voltage.

\*Fin-attached 9-lead SIP package employed.

### BLOCK DIAGRAM



---

### WuXi YouDa Electronics Co., Ltd

Add: No.5 Xijin Road, National Hi-Tech Industrial Development Zone, Wuxi Jiangsu China

Tel: 86-510-85205117 86-510-85205106 Fax: 86-510-85205110 Website: www.e-youda.com

SHENZHEN OFFICE Tel: 86-755-83740369 Fax: 86-755-83741418

# YOUNDA INTEGRATED CIRCUIT

# YD5265

## ABSOLUTE MAXIMUM RATINGS (Tamb=25°C)

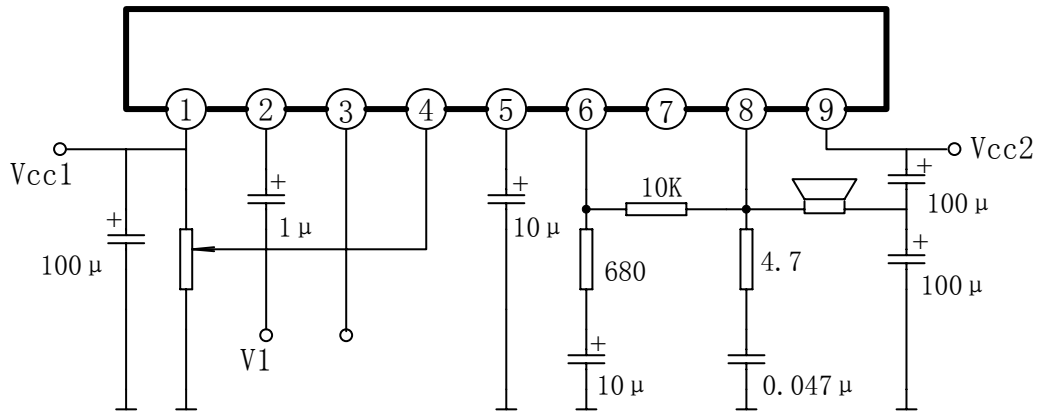
PARAMETER		SYMBOL	VALUE	UNIT
Supply Voltage(1)		V <sub>cc1</sub>	14.4	V
Supply Voltage(2)		V <sub>cc2</sub>	26	V
Circuit Voltage		V <sub>3-7</sub>	7	V
		V <sub>4-7</sub>	V <sub>cc1</sub>	V
		V <sub>6-7</sub>	V <sub>cc2</sub>	V
Circuit Current		I <sub>4P</sub>	-10~+3	mA
		I <sub>8P</sub>	-1.2~+1.2	A
Power Dissipation	Infinite Heat Sink	P <sub>D</sub>		W
	No Heat Sink		1.6	
Operating Temperature		T <sub>amb</sub>	-20 to +70	°C
Storage Temperature		T <sub>stg</sub>	-55 to +150	°C

## ELECTRICAL CHARACTERISTICS

(Tamb=25°C, Vcc1=12V, Vcc2=18V, f=1kHz, Unless otherwise specified)

PARAMETER	SYMBOL	TEST CONDITIONS	MIN	TYP	MAX	UNIT
Quiescent Circuit Current	I <sub>cc</sub>	V <sub>4</sub> =12V	7.1	9.5	11.9	mA
Output Power	P <sub>o</sub>	V <sub>4</sub> =12V, V <sub>3</sub> =0V, THD=10%	2.0	2.3		W
Voltage Gain	A <sub>v</sub>	V <sub>4</sub> =12V, V <sub>3</sub> =0V, V <sub>i</sub> =0.1V	28.5	30.5	32.5	dB
Total Harmonic Distortion	THD	V <sub>4</sub> =12V, V <sub>3</sub> =0V, P <sub>o</sub> =1W		0.8	1.2	%
Max. Attenuation Amount	Att	V <sub>3</sub> =0V, V <sub>i</sub> =0.1V, V <sub>4</sub> =Ration between 12 and 0V		-95	-85	dB
Output Noise Voltage	V <sub>NO</sub>	V <sub>3</sub> =0V, V <sub>4</sub> =0V, V <sub>i</sub> =0V		0.6	1.0	mV
Muting Operation Voltage	V <sub>3</sub>	V <sub>4</sub> =12V, V <sub>8</sub> =0V	2.45	2.65	2.85	V

APPLICATION CIRCUIT



OUTLINE DRAWING

