

TV VERTICAL POWER OUTPUT CIRCUIT—YD7231

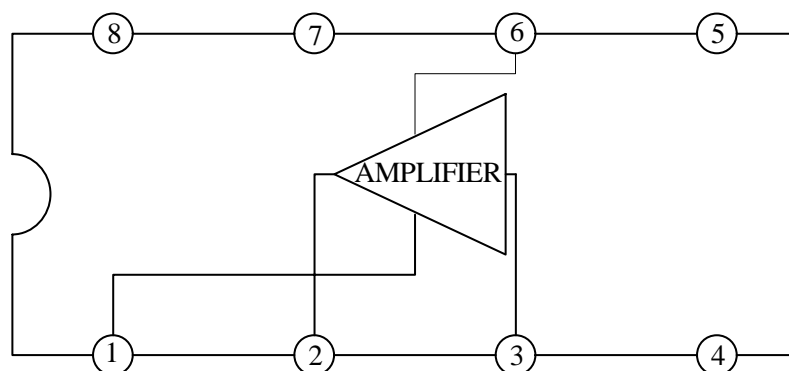
DESCRIPTION

The YD7231 is a monolithic integrated circuit designed as a TV vertical power output circuit in small screen sized televisions. When combined with YD5151, a suitable vertical deflection circuit can be constructed.

FEATURES

- *Operating voltage 1.8 To 15V
- *Low quiescent current
- *High power capability
- *Low crossover distortion
- *Soft clipping

BLOCK DIAGRAM



www.DataSheet.in

WuXi YouDa Electronics Co., Ltd

Add: No.5 Xijin Road, National Hi-Tech Industrial Development Zone, Wuxi Jiangsu China

Tel: 86-510-5205117 86-510-5205108 Fax: 86-510-5205110 Website: www.e-youda.com

SHENZHEN OFFICE Tel : 86-755-83740369 13823533350 Fax : 86-755-83741418

ABSOLUTE MAXIMUM RATINGS (Tamb=25)

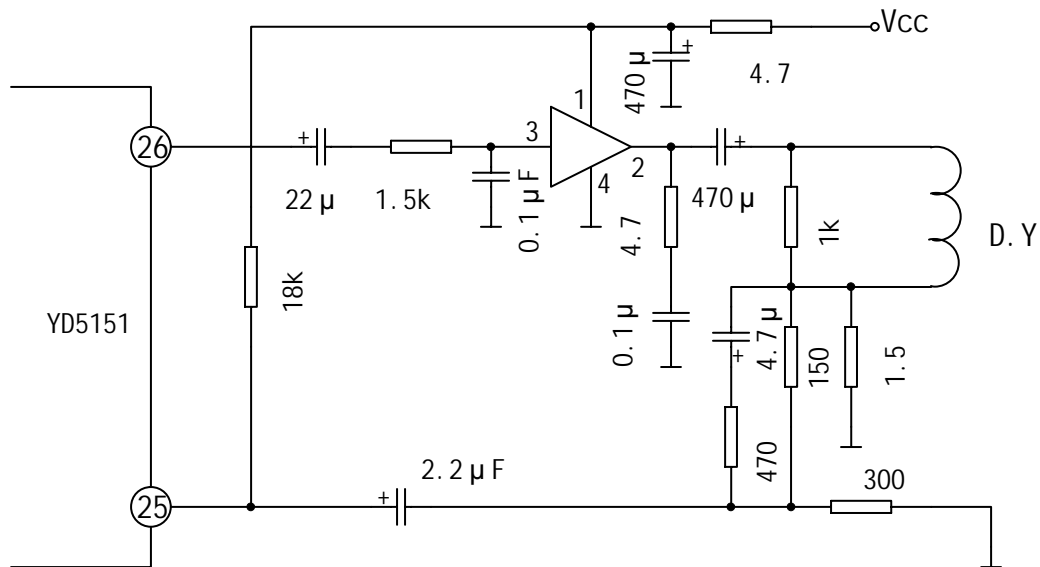
PARAMETER	SYMBOL	VALUE	UNIT
Supply Voltage	Vcc	16	V
Output Peak Current	P _D	1	A
Total Power Dissipation	P _t	4 to 1.25	W
Junction Temperature	T _j	-40 to +150	
Storage Temperature	T _{stg}	-40 to +150	

ELECTRICAL CHARACTERISTICS (Tamb=25 , Unless otherwise specified)

PARAMETER	SYMBOL	TEST CONDITIONS	MIN	TYP	MAX	UNIT
Quiescent Circuit Voltage	V _o	Vcc=3V		1.2		V
				2.7		
Input Bias Current	I _B			100		nA
Supply Voltage	Vcc		1.8		15	V
Quiescent Current	Icc			3.6	9	mA
Saturation Voltage	Vsat1	I _o =100mA			0.5	V
	Vsat2	I _o =-100mA			1	
Distortion	THD	P _o =0.2W, R _o =8 , f=1kHz		0.3		%
Close Loop Voltage Gain	A _v	f=1kHz		38		dB
Input Resistance	Z _i	f=1kHz	100			k
Input Noise Voltage	V _{NI}	Rs=10k ,		2		μ V
		Rs=10k , BPF=22Hz~22kHz		3		
Ripple Rejection	Srip		24	30		dB

www.DataSheet.in

APPLICATION CIRCUIT



OUTLINE DRAWING

DIP-8

unit:mm

