

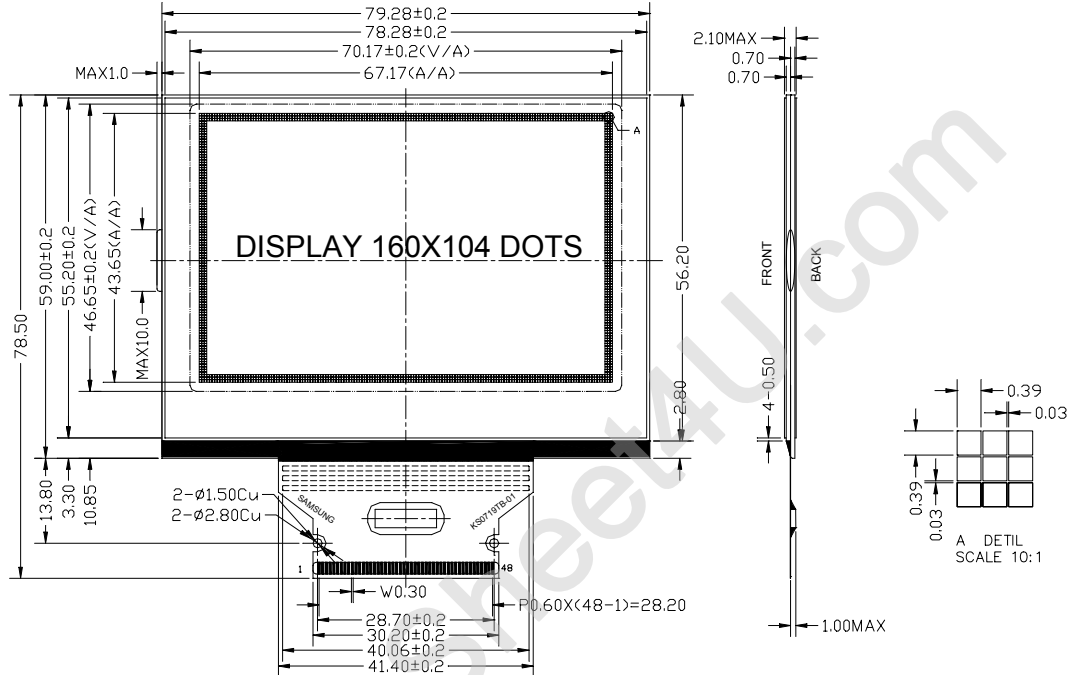
# YG-160104A Series

液晶之友 电话: 020-33819057  
[Http://www.lcdfriends.com](http://www.lcdfriends.com)

## 1. Mechanical Specifications

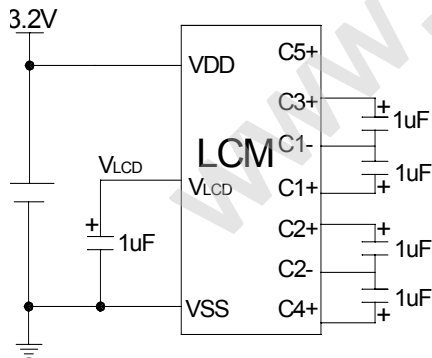
Display Area(mm)		Outline(mm)
160X104 Dots Graphic	Active Area: 67.17(W)X43.65(H)	Outline Dimension: 79.28(W)X78.5(H)
Duty: 1/104	Dot Size: 0.39(W)X0.39(H)	Thickness With B/L:
Viewing Area: 70.17(W)X46.65(H)	Dot Pitch: 0.42(W)X0.42(H)	Thickness Without B/L: 2.1Max

## 2. External Dimension

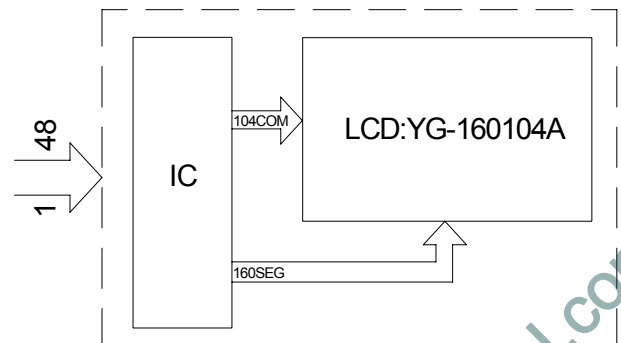


PIN	1	2	3	4	5	6	7	8	9	10	11	12	13	14	15	16	17	18	19	20	21	22	23	24
NAME	DUMMY	FR	TEST1	TEST2	TEST3	CL	M	SYNC	HPMB	MS	PS	C68	CS1B	CS2	RESETB	RS	RW_WR	E_RD	DB0	DB1	DB2	DB3	DB4	DB5
PIN	25	26	27	28	29	30	31	32	33	34	35	36	37	38	39	40	41	42	43	44	45	46	47	48
NAME	DB6	DB7	VDD	VCI	VSS	Vout	C5+	C3+	C1-	C1+	C2+	C2-	C4+	VSS	V4	V3	V2	V1	V0	VR	REF	VEXT	INTRS	DUMMY

## 3. Power Supply



## 4. Block Diagram



## 5. Electrical Characteristics

Item	Symbol	MIN.	TYP.	MAX.	Unit	Condition
Supply Voltage(Logic)	Vdd	2.4	3.2	4.0	V	
Supply Current(Logic)	Idd	-	0.4	1.8	mA	Vdd=3.2V
LCD Operating Voltage	Vop	-	12	-	V	Ta=25°C
Supply Current for LCD	Iee	-	-	-	mA	Vdd=3.2V