

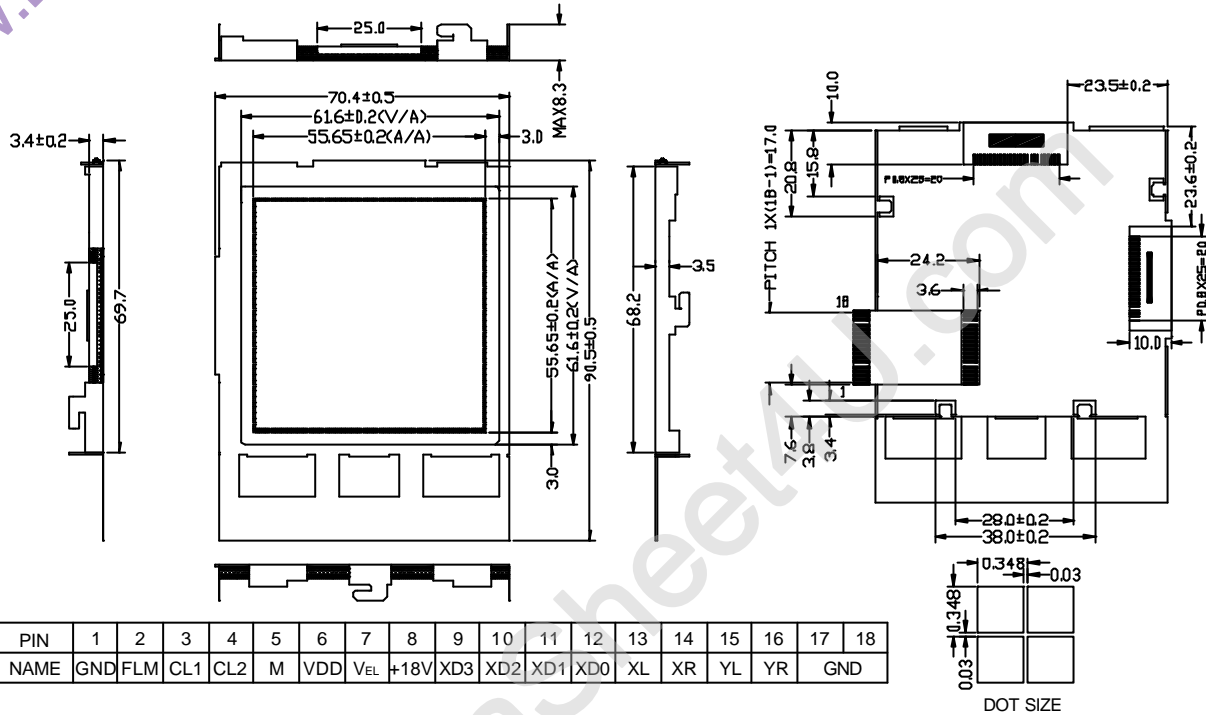
YG-160160A Series

液晶之友 电话: 020-33819057
<http://www.lcdfriends.com>

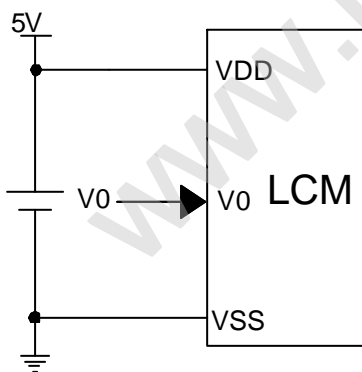
1. Mechanical Specifications

Display Area(mm)		Outline(mm)
160X160Dots Graphic	Active Area:55.65(W)X55.65(H)	Outline Dimension:70.4(W)X90.5(H)
Duty: 1/160	Dot Size: 0.348(W)X0.348(H)	Thickness With B/L: 8.3max
Viewing Area: 61.7(W)X61.6(H)	Dot Pitch: 0.378(W)X0.378(H)	Thickness Without B/L:

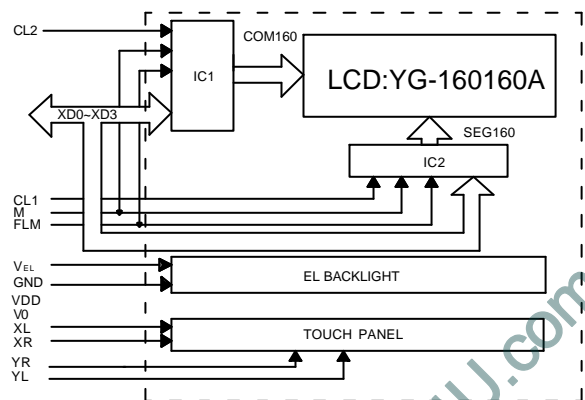
2. External Dimension



3. Power Supply



4. Block Diagram



Item	Symbol	Min.	Typ.	Max.	Unit	Condition
Supply Voltage(Logic)	Vdd	4.5	5.0	5.5	V	
Supply Current(Logic)	Idd	-	-	3	mA	Vdd=5V
LCD Operating Voltage	Vop	-	18	-	V	Ta=25
Supply Current for LCD	Iee(Iv0)	-	-	15	mA	Vdd=5V
Power Supply for B/L	VEL	-	3.0	-	V	AC100V F=400Hz