

- Miniature package
- Frequency Range: 10MHz - 100MHz
- Excellent stability



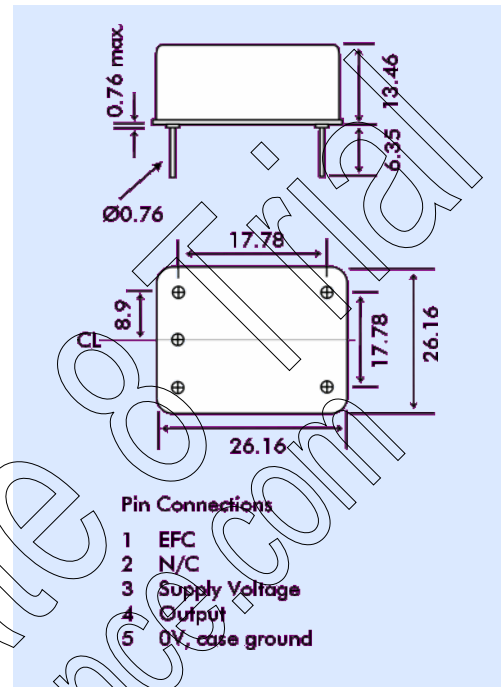
DESCRIPTION

YH1460/1461 series OXOs are high stability oscillators produced in a miniature package. The part exhibits excellent stability.

SPECIFICATIONS

Frequency Range:	10.0MHz to 100.0MHz
Output:	
YH1460:	Sinewave: +7dBm ±2dBm into 50Ω
YH1461:	Squarewave, CMOS
Harmonics:	-20dBc (Sinewave version)
Symmetry:	50%±10% (Squarewave version)
Temperature Stability:	See table
Freq. vs. Supply:	±3x10 ⁻⁹ for a 5% change
Ageing:	±0.1ppm per year (10MHz) ±0.5ppm per year (100MHz)
Input Voltage:	available in +15.0, +12, +5 & +3.3V
Input Power:	
Warmup:	<5W for 5 minutes
Idle:	<1.5W typical @ +25°C
Phase Noise:	See table
Frequency Adjustment:	±1.0ppm, typical for 10MHz, Positive slope, 0 to +3.3V or +5.0V EFC
Package:	See Outline. Improved shock and vibration performance is available with 15.24mm height, (option HS.) The standard height option is 'STD'.

YH1460 - OUTLINES AND DIMENSIONS



STABILITY OVER TEMPERATURE

Temp. Range	10MHz Stability	Option	100MHz Stability	Option
0~+50°C	±1x10 ⁻⁸	B18	±5x10 ⁻⁸	B58
-10~+60°C	±1x10 ⁻⁹	G18	±7x10 ⁻⁸	G78
-20~+70°C	±1x10 ⁻⁸	N18	±1x10 ⁻⁷	N17
-40~+85°C	±2x10 ⁻⁸	T28	±3x10 ⁻⁷	T37

PHASE NOISE

(Typical, at 10MHz, 5.0V)

Offset	dBc/Hz (10MHz)	dBc/Hz (100MHz)
10Hz	-125	-90
100Hz	-145	-120
1kHz	-155	-145
10kHz	-160	-155
100kHz	-160	-158

PART NUMBERING

Example: **YH1460-N18-5-STD-10.00MHz**

