

# 3.96mm

## (0.156") PITCH CONNECTOR



YH396-NNV

### Material

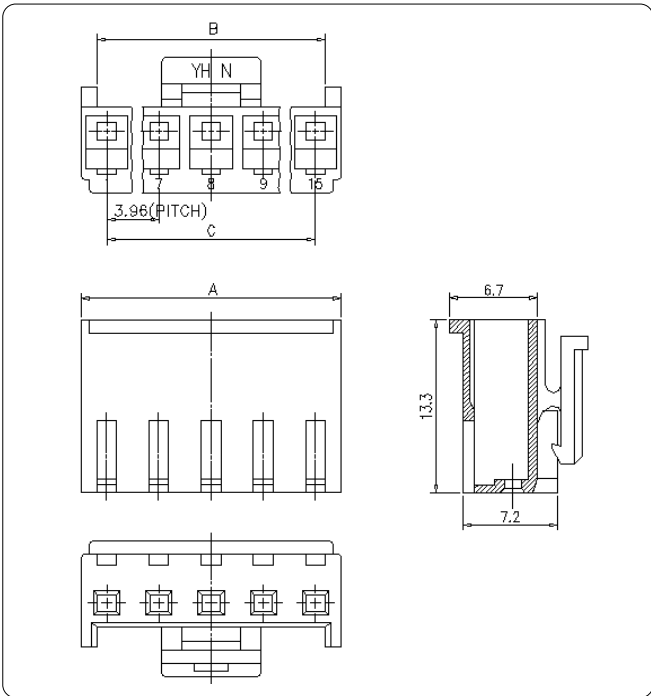
I/NO	DESCRIPTION	MATERIAL
1	HOUSING	NYLON 66, UL94V-Grade

## Wire to Board Connectors

### Housing

### Available Pin

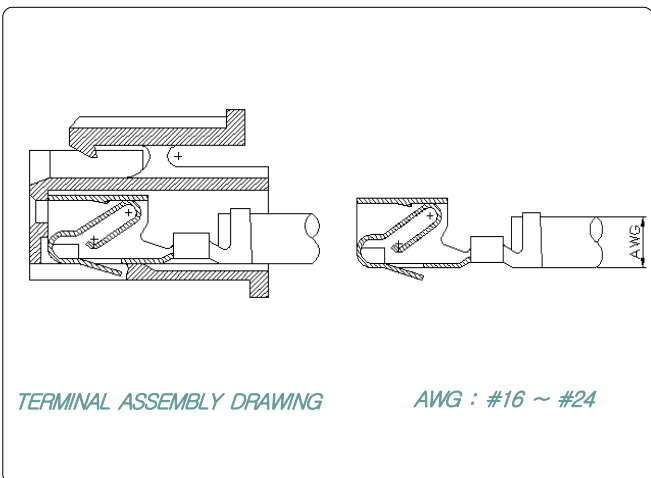
PARTS NO.	A	B	C
YH396-02V	8.26	5.46	3.96
YH396-03V	12.22	9.42	7.92
YH396-04V	16.08	13.38	11.18
YH396-05V	20.54	17.34	15.84
YH396-06V	24.10	21.30	19.80
YH396-07V	28.06	25.26	23.76
YH396-08V	32.02	29.22	27.72
YH396-09V	35.98	32.18	31.68
YH396-10V	39.94	36.14	35.64
YH396-11V	43.90	40.10	39.60
YH396-12V	47.86	44.06	43.56
YH396-13V	51.82	48.02	47.52
YH396-14V	55.78	52.98	51.48
YH396-15V	59.74	56.94	55.44



### Specification

ITEM	SPEC
Voltage Rating	AC/DC 250V
Current Rating	AC/DC 7.5A
Operating Temperature	-25°C ~ +85°C
Contact Resistance	30mΩ MAX
Withstanding Voltage	AC1500V/1min
Insulation Resistance	100MΩ MIN
Applicable Wire	AWG #16~#24
Applicable P.C.B	-
Applicable FPC/FFC	-
Solder Height	-
Crimp Tensile Strength	-
UL FILE NO	E108706

◆ Applicable Terminal : YT396J



TERMINAL ASSEMBLY DRAWING

AWG : #16 ~ #24