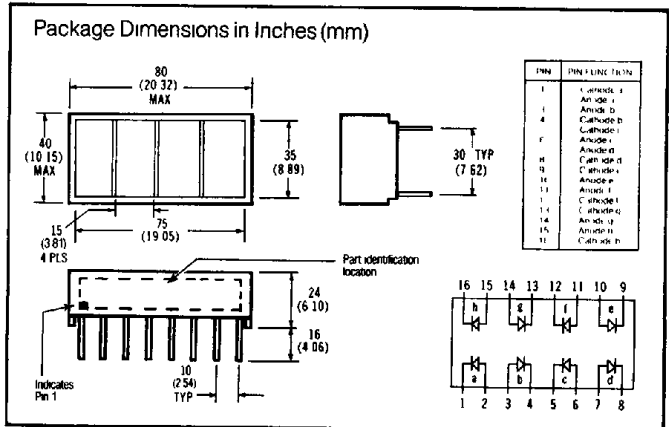
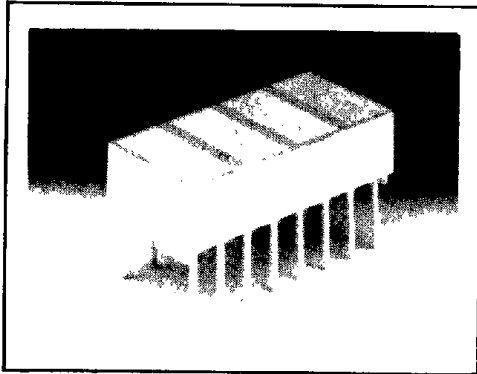


SIEMENS

T-41-31
SUPER-RED OLB 2620

YELLOW YLB 2720

GREEN GLB 2820
LIGHT BARS



FEATURES

- Large Rectangular Package
- Mechanical barrier creating four isolated rectangular light emitting areas
- Uniform Light Emitting Area
- Excellent ON/OFF Contrast
- Choice of Three Colors
- Categorized for Light Output
- Yellow and Green Categorized for Dominant Wavelength
- Panel or Legend Mountable
- Can be Mounted on P.C. Boards or DIP Sockets
- X-Y Stackable
- Suitable for Multiplexing
- IC Compatible

APPLICATIONS

These devices are ideally suited for:

- Message Annunciators
- Positions/Status Indicators
- Telecommunications Indicators
- Bar Graphs

DESCRIPTION

The OLB 2620/YLB 2720/GLB 2820 series light bars are rectangular displays. They are configured in a dual in-line package with a mechanical barrier creating four isolated rectangular light emitting areas. The OLB 2620 and YLB 2720 devices utilize eight LED chips which are made from GaAsP on a transparent GaP substrate. The GLB 2820 device utilizes eight chips made from GaP on a transparent GaP substrate.

Maximum Ratings

	OLB 2620 & GLB 2820	YLB 2720
Average Power Dissipation per LED chip	135mW	85mW
Peak Forward Current per LED chip	90mA	60mA
Ta = 50°C (max pulse width = 2ms)		
Average Forward Current per LED	25mA	20mA
Pulsed conditions (Ta = 50°C)		
DC Forward Current Per LED (Ta = 50°C)	30mA	25mA
Reverse Voltage per LED chip	6V	6V
Operating Temperature	-40°C to +85°C	
Storage Temperature	-40°C to +85°C	
Lead Soldering Temperature	260°C for 3 sec	
1/16 inch below seating plane		
Junction Temperature	100°C	

Electrical/Optical Characteristics (@ 25°C)

Parameters	Min.	Typ.	Max.	Units	Test Conditions
Luminous Intensity (per light emitting area)					
OLB2620	4.5	10		mcd	20mA DC
YLB2720	4	6		mcd	20mA DC
GLB2820	3.7	10		mcd	20mA DC
Peak Wavelength					
OLB2620		635		nm	
YLB2720		583		nm	
GLB2820		565		nm	
Dominant Wavelength					
OLB2620		626		nm	
YLB2720		585		nm	
GLB2820		572		nm	
Forward Voltage					
OLB2620	2.1	2.6		V	If = 20mA
YLB2720	2.2	2.6		V	If = 20mA
GLB2820	2.2	2.6		V	If = 20mA
Reverse Voltage					
OLB2620	6	15		V	Ia = 100µA
YLB2720	6	15		V	Ia = 100µA
GLB2820	6	15		V	Ia = 100µA