

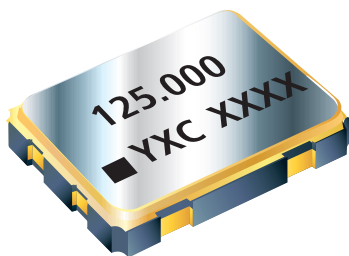


给您一颗快乐的“芯”！

# YSO532ST



## Features

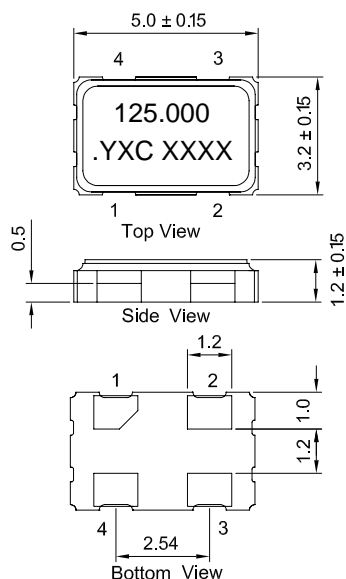


- External dimensions: 5.0 x 3.2 x 1.2 mm.
- Frequency range: 1MHz ~ 150MHz.
- Smallest & Thinnest SMD package.
- Excellent temperature range, Best Reliability.
- Excellent total frequency stability.
- Applications: WLAN, Bluetooth, DSC, DSL, IP CAM, SSD, e-books and other IT product.

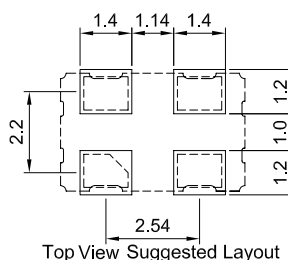
## Electrical Specifications

Item / Type		YSO532ST			
Output Frequency Range		1~90MHz		90~150MHz	
Supply Voltage		1.8V	2.25~5.5V	1.6~3.6V	5.0V
Current Consumption ( Max. )		8mA	60mA	35mA	80mA
Output Type		CMOS			
Oscillation Mode		Fundamental / 3rd Overtone			
Frequency Tolerance		± 20ppm, ± 25ppm, or specify			
Output Load		15 pF, or specify			
Operating Temperature Range		- 40 ~ + 85 °C, or specify			
Storage Temperature Range		- 55 ~ + 125 °C			
Voltage Vol ( Max. ) / Vol ( Min. )		90%Vdd min./10%Vdd max			
Symmetry		45~55%DT,40/60~60/40%Svm			
Rise ( Tr ) / Fall ( Tf ) Time		10Max./8 ns Max.			
Start-up Time		10 ms Max.			
Aging ( at 25 °C )		± 3 ppm / year Max.			
Phase Noise(Pn)		-125 Max. dBc/Hz @1khz			
Three State Function	Enable Voltage	70%Vdd Min.			
	By Low Pressure	30%Vdd Max.			

## Dimensions



引脚	功能	定义
1	E/D	三态 / 无三态
2	GND	接地
3	OUTPUT	输出
4	Vdd	电源电压



Units: mm



给您一颗快乐的“芯”！

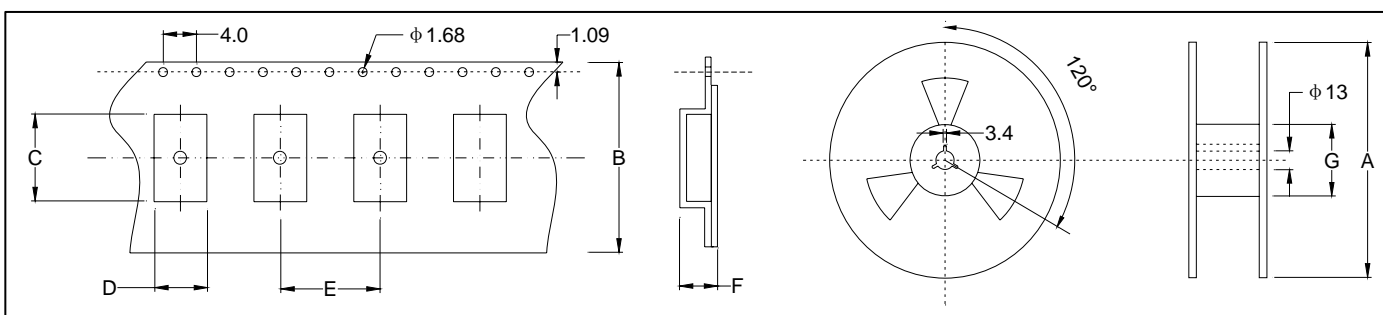
# YSO532ST



★ PART NUMBER GUIDE 部件号示例 e.g. O5032125MHEA4SI YSO532ST=5.0×3.2 SMD SEAM TYPE

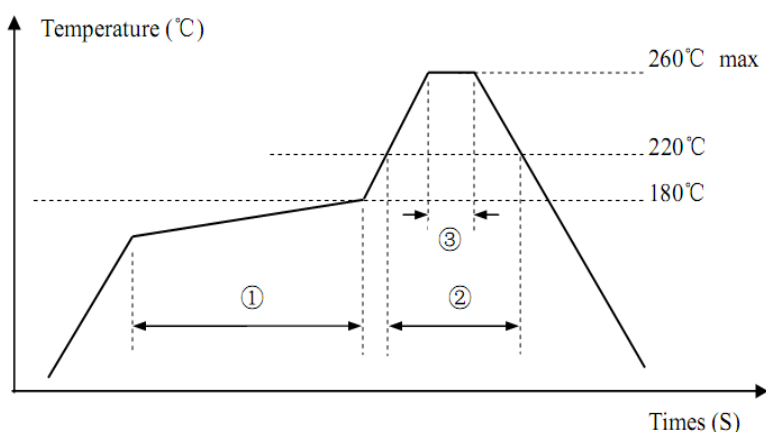
Quartz Crystal Oscillator	Dimensions	Frequency (Hz)	Supply voltage (V)	Frequency Stability Overall (ppm)	output	Pin	Material	Operating Temp. Range
O	5032	125M	H	E	A	4	S	I

★ TAPING SPECIFICATION (Unit: mm) 编带规格



	A	B	C	D	E	F	G
OSC-SMD5032	178±2.0	12.2±0.3	5.95±0.15	4.20±0.15	7.76±0.1	1.49±0.1	62.5±1.0
1000 pcs per reel							

★ REFLOW SOLDERING PROFILE 回流焊特性



Pb free reflow A	①	Preheat	160~180°C	120sec. max
	②	Primary heat	220°C	60sec. max
	③	Peak	260°C	10sec. max.

★ Test Circuit 测试电路

