

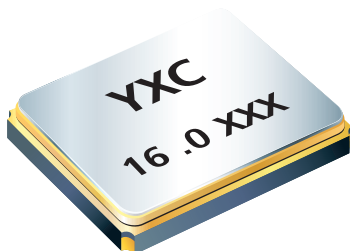


给您一颗快乐的“芯”！

YSX321SL X322516MRB4SI



Features



- External dimensions: 3.2 x 2.5 x 0.8 mm.
- Frequency range: 11.0592MHz ~ 54MHz.
- High precision and high frequency stability.
- Extremely good for reducing EMI effect.
- RoHS Compliant / Pb Free.
- The best choice of Bluetooth, wireless communication set, DSC, PDA and mobile phone.

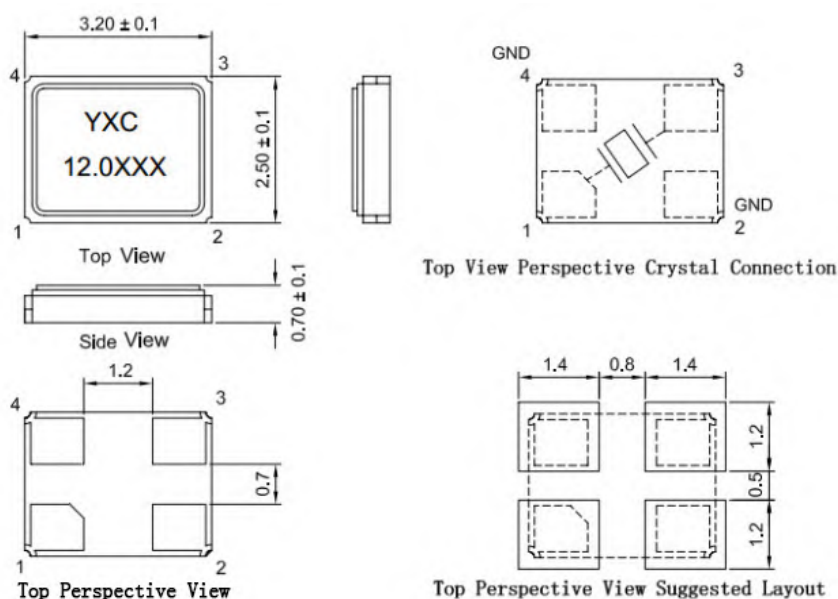
Electrical Specifications

Item / Type	YSX321SL
Nominal Frequency	16.0000MHz
Vibration Mode	AT Fundamental
Load Capacitance	18pF
Frequency Tolerance (at 25 °C)	± 10 ppm
Frequency Versus Temperature Characteristics	± 30 ppm
Operating Temperature	- 40 ~ + 85 °C
Storage Temperature	- 40 ~ + 85 °C
Shunt Capacitance	7 pF Max.
Level Of Drive	1~100 μ W Max. (10 uW typical)
Frequency Aging (at 25 °C)	± 3 ppm / year Max.
Insulation Resistance	More Than 500MΩ at DC 100V

Equivalent Series Resistance(ESR)

Fundamental	
11.0592 ~ 16 MHz	80 Ω Max.
16 ~ 20 MHz	60 Ω Max.
20 ~ 54 MHz	40 Ω Max.

Dimensions



Units: mm



给您一颗快乐的“芯”！

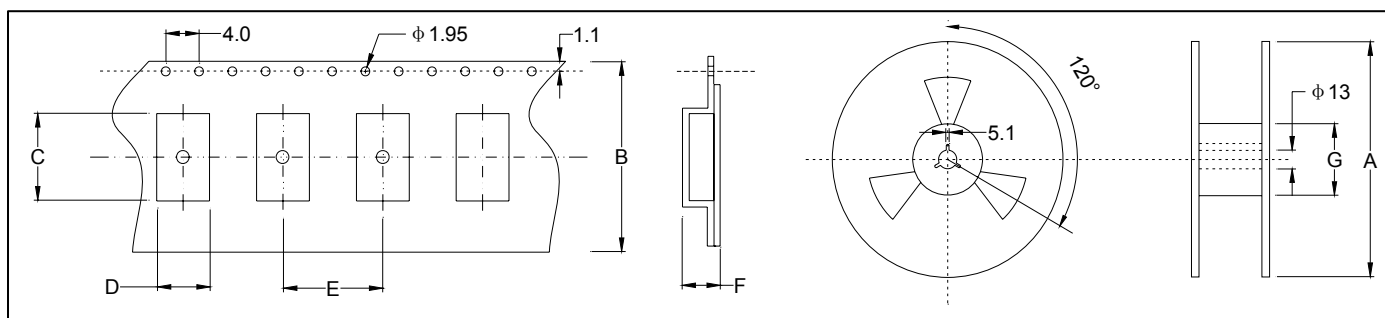
YSX321SL X322516MRB4SI



★ PART NUMBER GUIDE 部件号示例 e.g. X322516MRB4SI YSX321SL = 3.2×2..5 SMD SEAM TYPE

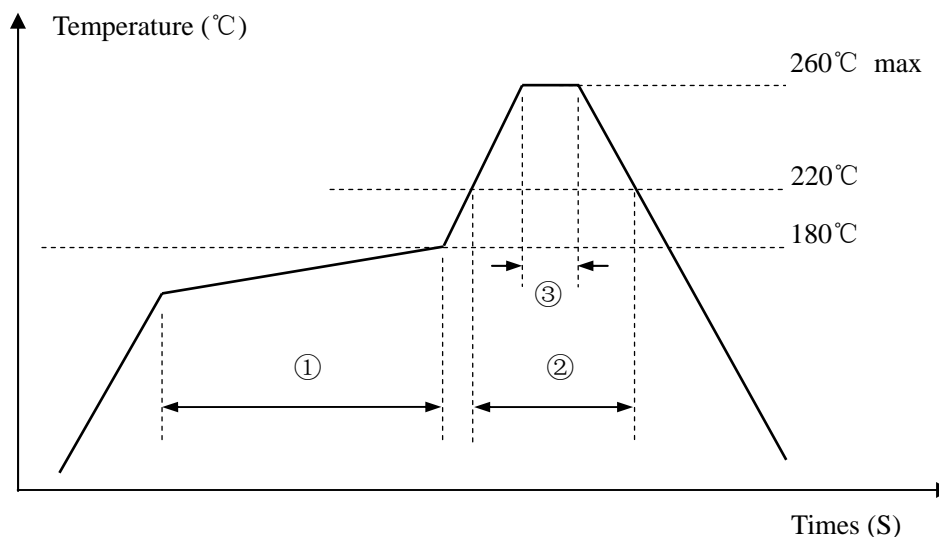
Quartz Crystal Resonator	Dimensions	Frequency (MHz)	Load Capacitance (Pf)	Frequency Stability Overall (ppm)	Pin	Material	Operating Temp. Range
Crystal Resonator	3.2*2.5mm	16M	R	B	4	S	I

★ TAPING SPECIFICATION (Unit: mm) 编带规格



	A	B	C	D	E	F	G
SMD3225	178±2.0	8.03±0.3	3.81±0.10	3.04±0.10	3.84±0.1	1.54±0.10	62.0±1.0
3000 pcs per reel							

★ REFLOW SOLDERING PROFILE 回流焊特性



Pb free reflow A	①	Preheat	160~180°C	120sec. max
	②	Primary heat	220°C	60sec. max
	③	Peak	260°C	10sec. max.