

5.00mm (0.196") PITCH CONNECTOR

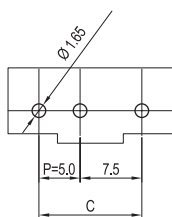
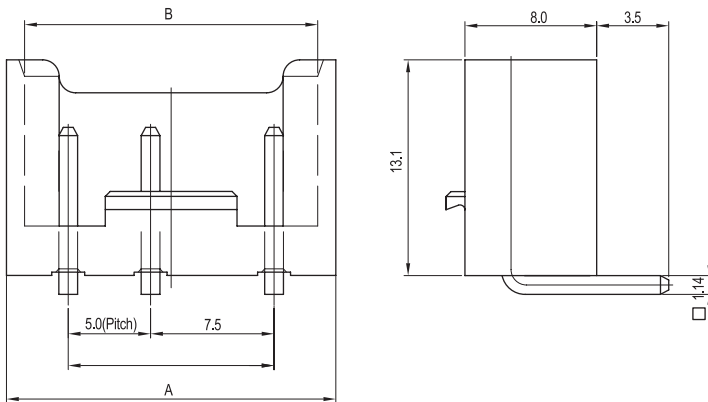
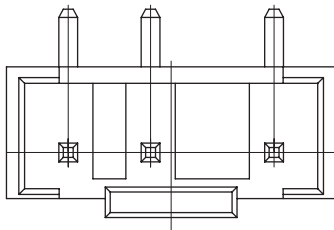
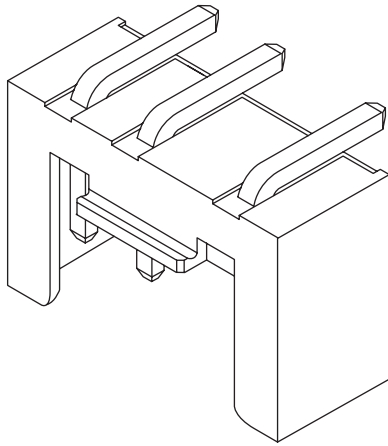


Wire-to-Board
Wafer

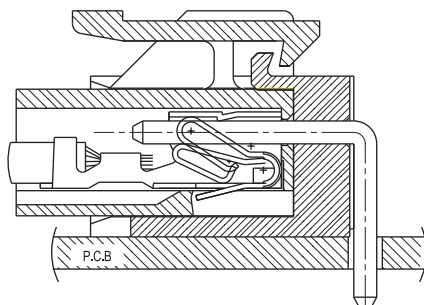
YWLA500 Series

DIP

Right Angle



PCB LAYOUT



PCB ASS'Y

Material

| I/NO | DESCRIPTION | TITLE | MATERIAL |
|------|-------------|---------|--------------------|
| 1 | HOUSING | YWLA500 | PA66, UL94 V Grade |
| 2 | PIN | | Brass & Tin Plated |

Available Pin

| PARTS NO. | DIM. A | DIM. B | DIM. C |
|-------------|--------|--------|--------|
| YWLA500-02P | 14.9 | 12.8 | 7.5 |
| YWLA500-03P | 19.9 | 17.8 | 12.5 |
| YWLA500-04P | 24.9 | 22.8 | 17.5 |
| YWLA500-05P | 29.9 | 27.8 | 22.5 |
| YWLA500-06P | 34.9 | 32.8 | 27.5 |

Specification

| ITEM | SPEC |
|------------------------|--------------|
| Voltage Rating | AC/DC 250V |
| Current Rating | AC/DC 5A |
| Operating Temperature | -25°C~+85°C |
| Contact Resistance | 30mΩ MAX |
| Withstanding Voltage | AC1500V/1min |
| Insulation Resistance | 1000MΩ MIN |
| Applicable Wire | - |
| Applicable P.C.B | 1.2~1.6mm |
| Applicable FPC/FFC | - |
| Solder Height | - |
| Crimp Tensile Strength | - |
| UL FILE NO | E108706 |