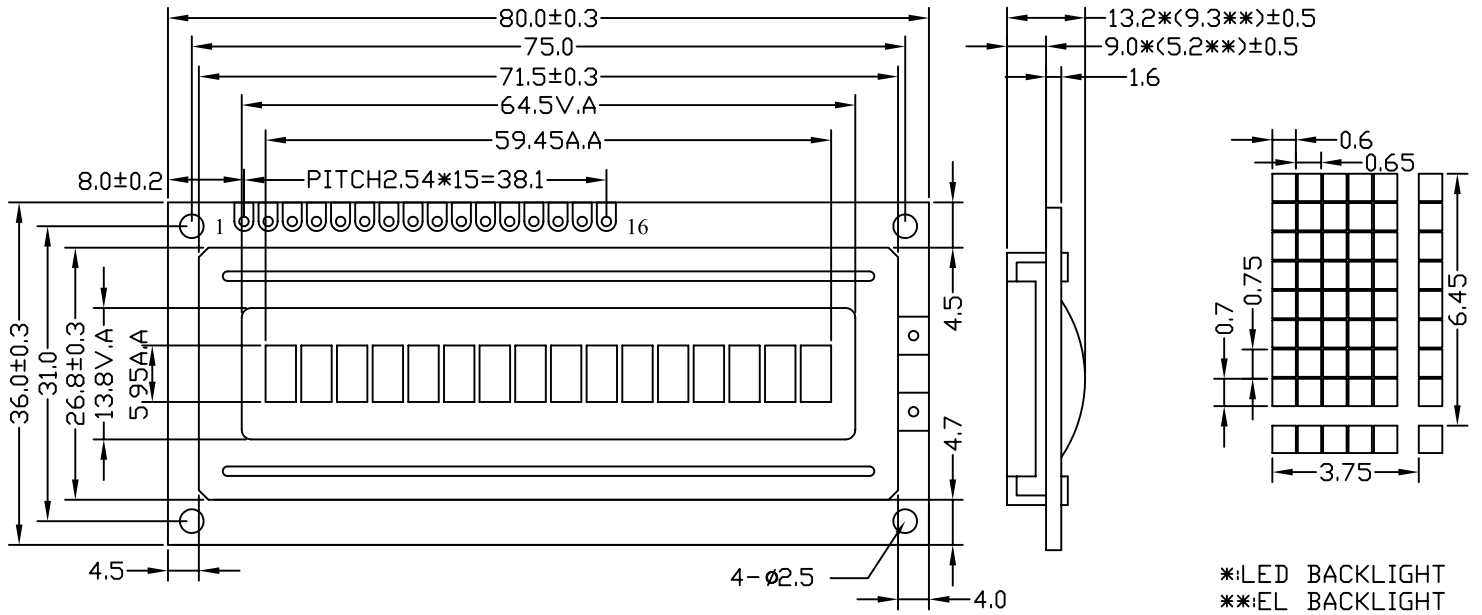


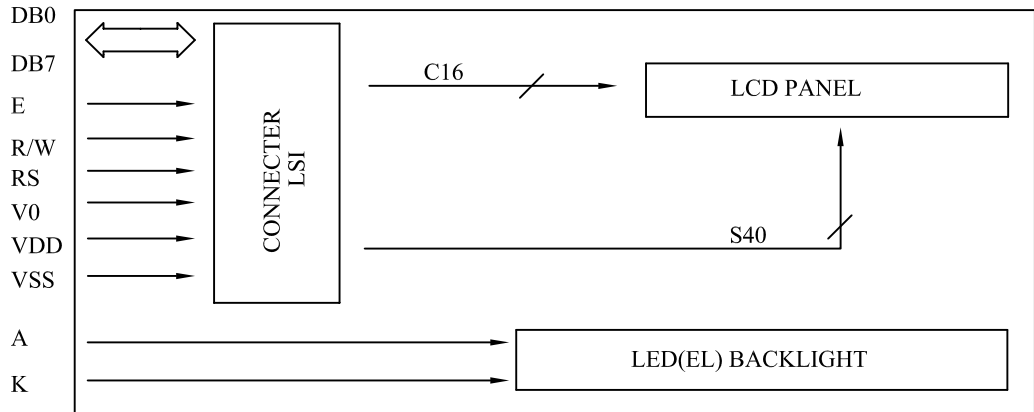
YXD-1601A

16CHAR X 1LINE STN
1/8 DUTY,1/4BIAS

EXTERNAL DIMENSIONS



BLOCK DIAGRAM



PIN CONFIGURATION

1	2	3	4	5	6	7	8	9	10	11	12	13	14	15	16
VSS	VDD	V0	RS	R/W	E	DB0	DB1	DB2	DB3	DB4	DB5	DB6	DB7	K	A
0V	5.0V	0V	H	H/L	H/L	TRI-STATE								0V	5.0V

MECHANICAL DATA		
ITEM	SPECIFICATION	UNIT
Module Size (W×H×D)	80.0×36.0×13.2*(9.3**)	mm
Viewing Area (W×H)	64.5×13.8	mm
Character Font (W×H)	5×8	dots
Character Size (W×H)	3.2×5.95	mm
Character Pitch (W×H)	3.75×6.45	mm
Dot Size (W×H)	0.6×0.7	mm

ABSOLUTE MAXIMUM RATINGS				
ITEM	SYMBOL	MIN	MAX	UNIT
Supply Voltage Logic	Vdd-Vss	-0.3	7.0	V
Supply Voltage Driver	Vdd-V0	-0.3	13.5	V
Input Voltage	Vi	VSS	VDD	V
Operating Temperature	Ta	0	50	°C
Storage Temperature	Tstg	-10	60	°C