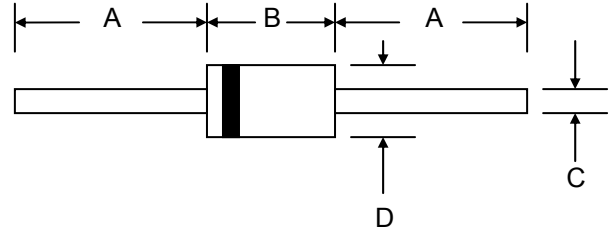


Features

- Glass Passivated Die Construction
- 1.0W Power Dissipation
- 3.3V – 330V Nominal Zener Voltage
- 5% Standard Vz Tolerance
- Low Inductance
- For Use in Voltage Regulator or Reference
- Plastic Case Material has UL Flammability Classification Rating 94V-0



Mechanical Data

- Case: DO-41, Molded Plastic
- Terminals: Plated Leads Solderable per MIL-STD-202, Method 208
- Polarity: Cathode Band
- Weight: 0.35 grams (approx.)
- Mounting Position: Any
- Marking: Type Number
- **Lead Free: For RoHS / Lead Free Version, Add “-LF” Suffix to Part Number, See Page 5**

DO-41		
Dim	Min	Max
A	25.4	—
B	4.06	5.21
C	0.71	0.864
D	2.00	2.72
All Dimensions in mm		

Maximum Ratings @T_A=25°C unless otherwise specified

Characteristic	Symbol	Value	Unit
Power Dissipation at T _L = 50°C (Note 1) Derate above 50°C	P _D	1.0 6.67	W mW/°C
Forward Voltage @ I _F = 200mA	V _F	1.2	V
Thermal Resistance, Junction to Ambient (Note 2)	R _{JA}	170	K/W
Operating and Storage Temperature Range	T _J , T _{STG}	-65 to +150	°C

Note: 1. Measured at lead length 3/8" (9.5mm) from body.

2. Valid provided that leads are kept at ambient temperature at a distance of 10mm from the case.

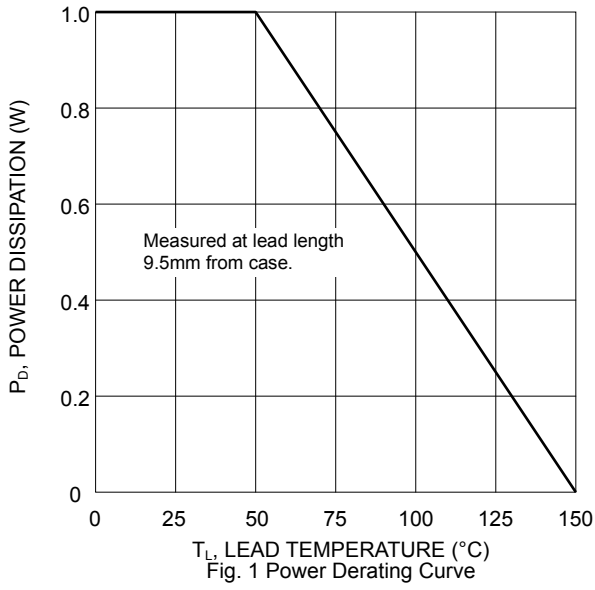


Fig. 1 Power Derating Curve

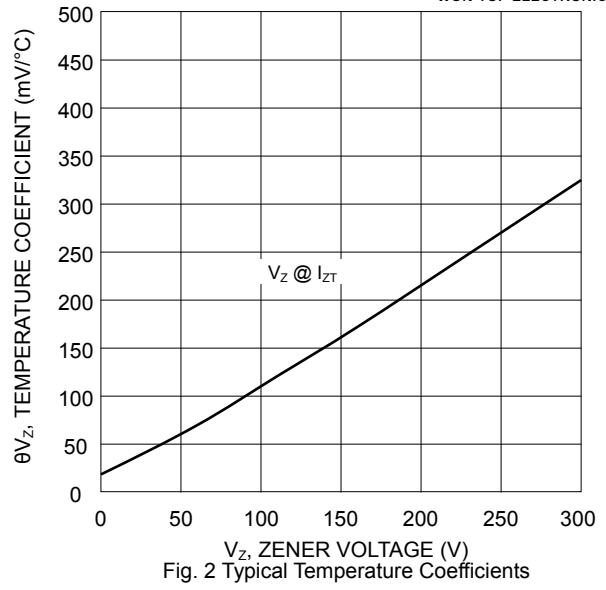


Fig. 2 Typical Temperature Coefficients

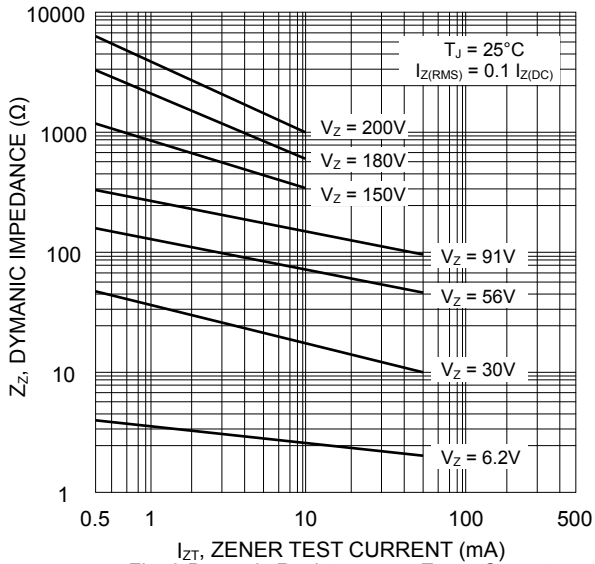


Fig. 3 Dynamic Resistance vs. Zener Current

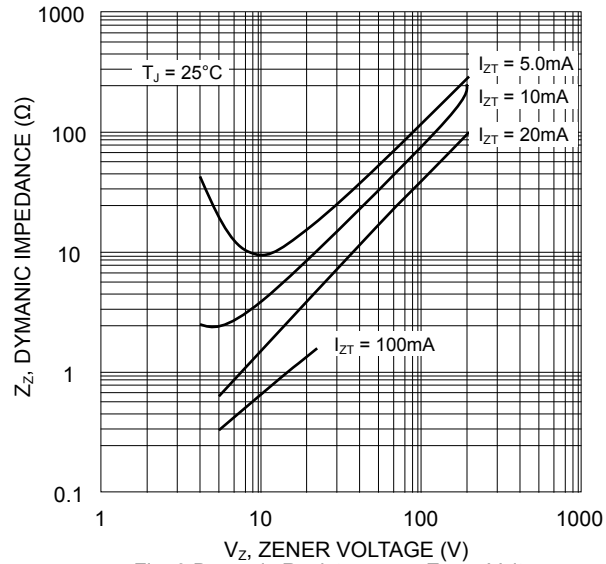


Fig. 3 Dynamic Resistance vs. Zener Voltage

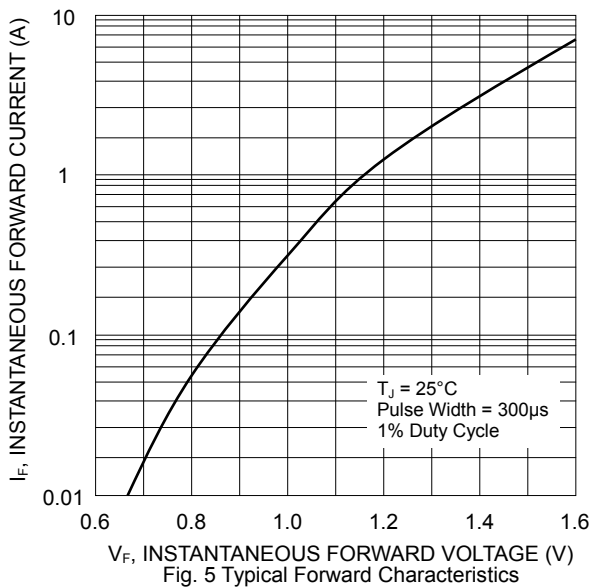


Fig. 5 Typical Forward Characteristics

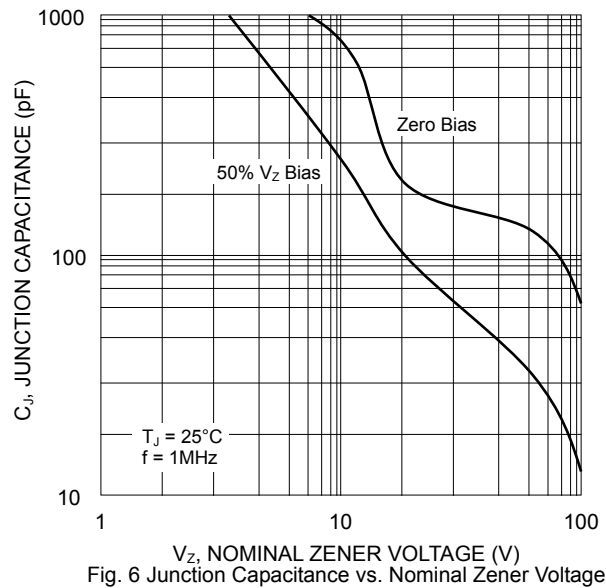


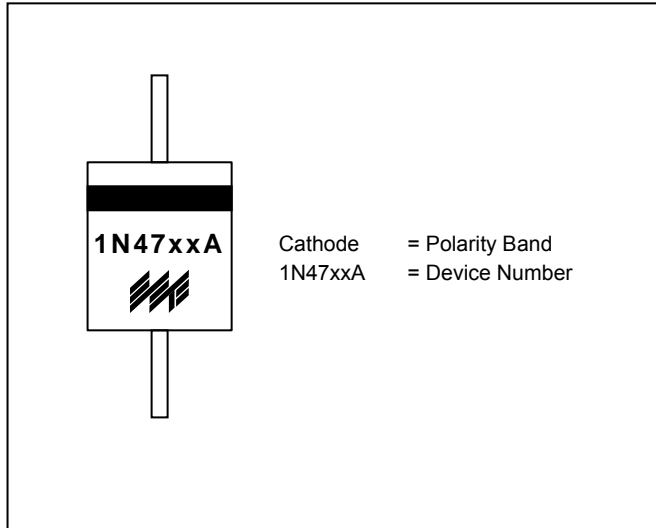
Fig. 6 Junction Capacitance vs. Nominal Zener Voltage

Electrical Characteristics (@T_A=25°C unless otherwise specified) Table 1

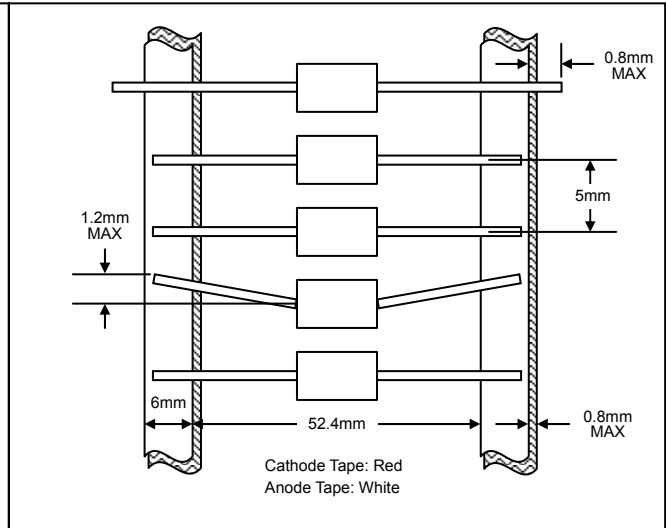
Type Number (Note 1)	Nominal Zener Voltage (Note 2)	Test Current	Maximum Zener Impedance (Note 3)			Maximum Leakage Current		Max DC Zener Current	Max Surge Current 8.3ms
	V _Z @ I _{ZT}	I _{ZT}	Z _{ZT} @ I _{ZT}	Z _{ZK} @ I _{ZK}	I _{ZK}	I _R @ V _R		I _{ZM}	I _{ZS}
	(V)	(mA)	()	()	(mA)	(μA)	(V)	(mA)	(mA)
1N4728A	3.3	76.0	10	400	1.00	100	1.0	276	1380
1N4729A	3.6	69.0	10	400	1.00	100	1.0	252	1260
1N4730A	3.9	64.0	9.0	400	1.00	50	1.0	234	1190
1N4731A	4.3	58.0	9.0	400	1.00	10	1.0	217	1070
1N4732A	4.7	53.0	8.0	500	1.00	10	1.0	193	970
1N4733A	5.1	49.0	7.0	550	1.00	10	1.0	178	890
1N4734A	5.6	45.0	5.0	600	1.00	10	2.0	162	810
1N4735A	6.2	41.0	2.0	700	1.00	10	3.0	146	730
1N4736A	6.8	37.0	3.5	700	1.00	10	4.0	133	660
1N4737A	7.5	34.0	4.0	700	0.50	10	5.0	121	605
1N4738A	8.2	31.0	4.5	700	0.50	10	6.0	110	550
1N4739A	9.1	28.0	5.0	700	0.50	10	7.0	100	500
1N4740A	10	25.0	7.0	700	0.25	10	7.6	91	454
1N4741A	11	23.0	8.0	700	0.25	5	8.4	83	414
1N4742A	12	21.0	9.0	700	0.25	5	9.1	76	380
1N4743A	13	19.0	10	700	0.25	5	9.9	69	344
1N4744A	15	17.0	14	700	0.25	5	11.4	61	304
1N4745A	16	15.5	16	700	0.25	5	12.2	57	285
1N4746A	18	14.0	20	750	0.25	5	13.7	50	250
1N4747A	20	12.5	22	750	0.25	5	15.2	45	225
1N4748A	22	11.5	23	750	0.25	5	16.7	41	205
1N4749A	24	10.5	25	750	0.25	5	18.2	38	190
1N4750A	27	9.5	35	750	0.25	5	20.6	34	170
1N4751A	30	8.5	40	1000	0.25	5	22.8	30	150
1N4752A	33	7.5	45	1000	0.25	5	25.1	27	135
1N4753A	36	7.0	50	1000	0.25	5	27.4	25	125
1N4754A	39	6.5	60	1000	0.25	5	29.7	23	115
1N4755A	43	6.0	70	1500	0.25	5	32.7	22	110
1N4756A	47	5.5	80	1500	0.25	5	35.8	19	95
1N4757A	51	5.0	95	1500	0.25	5	38.8	18	90
1N4758A	56	4.5	110	2000	0.25	5	42.6	16	80
1N4759A	62	4.0	125	2000	0.25	5	47.1	14	70
1N4760A	68	3.7	150	2000	0.25	5	51.7	13	65
1N4761A	75	3.3	175	2000	0.25	5	56.0	12	60
1N4762A	82	3.0	200	3000	0.25	5	62.2	11	55
1N4763A	91	2.8	250	3000	0.25	5	69.2	10	50
1N4764A	100	2.5	350	3000	0.25	5	76.0	9.0	45
Z1110A	110	2.3	450	4000	0.25	5	83.6	8.6	40
Z1120A	120	2.0	550	4500	0.25	5	91.2	7.8	37
Z1130A	130	1.9	700	5000	0.25	5	98.8	7.0	34
Z1150A	150	1.7	1000	6000	0.25	5	114.0	6.4	30
Z1160A	160	1.6	1100	6500	0.25	5	121.6	5.8	28
Z1180A	180	1.4	1200	7000	0.25	5	136.8	5.2	25
Z1200A	200	1.2	1900	9990	0.25	5	152.0	4.7	22
Z1220A	220	1.0	1600	8000	0.25	5	167.2	4.0	20
Z1240A	240	0.9	1800	8500	0.25	5	182.4	3.8	19
Z1250A	250	0.9	2000	9000	0.25	5	190.0	3.6	18
Z1270A	270	0.8	2100	9000	0.25	5	205.0	3.3	16
Z1300A	300	0.8	2300	9500	0.25	5	228.0	3.0	15
Z1330A	330	0.7	2500	9500	0.25	5	250.2	2.7	13

Note: 1. Type numbers listed have standard tolerance on the nominal zener voltage of ±5%.
 2. Measured under thermal equilibrium and DC (I_{ZT}) test conditions.
 3. f = 1KHz

MARKING INFORMATION

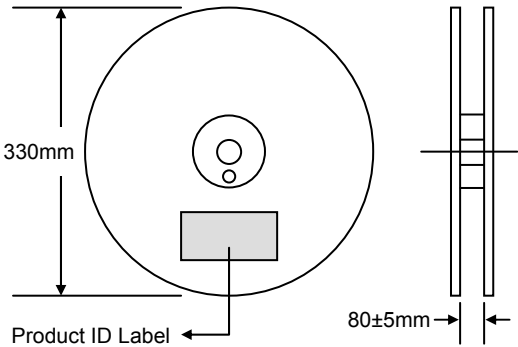


TAPING SPECIFICATIONS



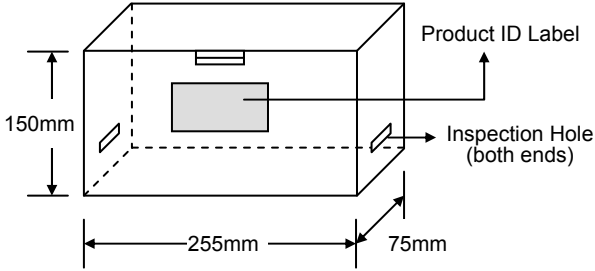
PACKAGING INFORMATION

TAPE & REEL



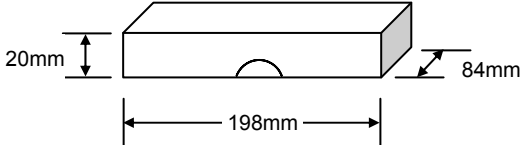
330mm
Product ID Label
80±5mm

TAPE & BOX



150mm
Product ID Label
Inspection Hole (both ends)
255mm
75mm

BULK



20mm
198mm
84mm


Packaging	Reel Diameter / Box Size (mm)	Quantity (PCS)	Carton Size (mm)	Quantity (PCS)	Approx. Gross Weight (KG)
TAPE & REEL	330	5,000	370 x 370 x 420	25,000	13.0
TAPE & BOX	255 x 75 x 150	5,000	400 x 273 x 415	50,000	21.0
BULK	198 x 84 x 20	1,000	459 x 214 x 256	50,000	19.5

Note: 1. Paper reel, white or gray color. Core material: plastic or metal.
2. Components are packed in accordance with EIA standard RS-296-E.

ORDERING INFORMATION

Product No.	Package Type	Shipping Quantity
1N47xxA-T3	DO-41	5000/Tape & Reel
1N47xxA-TB	DO-41	5000/Tape & Box
1N47xxA	DO-41	1000 Units/Box

1. Products listed in **bold** are WTE **Preferred** Devices
2. Shipping quantity given is for minimum packing quantity only. For minimum order quantity, please consult the Sales Department.
3. **To order RoHS / Lead Free version (with Lead Free finish), add "-LF" suffix to part number above. For example, 1N4728A-TB-LF.**

WON-TOP ELECTRONICS and  are registered trademarks of Won-Top Electronics Co., Ltd (WTE). WTE has checked all information carefully and believes it to be correct and accurate. However, WTE cannot assume any responsibility for inaccuracies. Furthermore, this information does not give the purchaser of semiconductor devices any license under patent rights to manufacturer. WTE reserves the right to change any or all information herein without further notice.

WARNING: DO NOT USE IN LIFE SUPPORT EQUIPMENT. WTE power semiconductor products are not authorized for use as critical components in life support devices or systems without the express written approval.

Won-Top Electronics Co., Ltd.
No. 44 Yu Kang North 3rd Road,
Chine Chen Dist., Kaohsiung 806, Taiwan
Phone: 886-7-822-5408 or 886-7-822-5410
Fax: 886-7-822-5417
Email: sales@wontop.com
Internet: http://www.wontop.com

We power your everyday.