



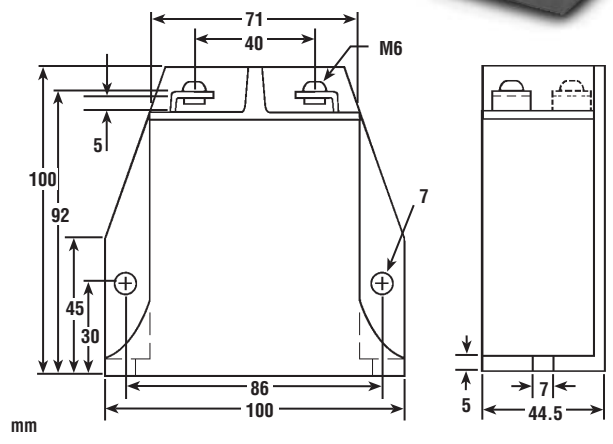
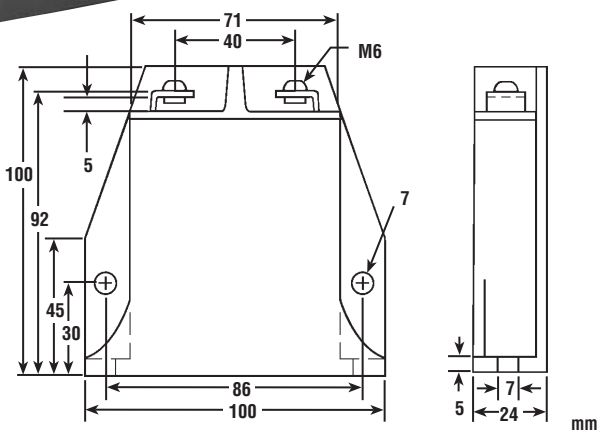
SUPPRESSION

Z60M Series



FIGURE 66

FIGURE 71



| CKE Part Number | Voltage Ratings | | | | Energy Max. Joules | Maximum Operating Conditions | | | Typical Capacitance pF | Figure |
|-----------------|-----------------|---------------------|-----------------------|---------------|-----------------------|------------------------------|------|--|---------------------------|--------|
| | VAC | VDC Volts RMS | Varistor Peak Voltage | | | Max. Clamping Voltage | | Peak Current (8x20 μ s) Amps | | |
| | | | Volts | Min. Volts | | Volts | Amp. | | | |
| | | | | | | | | | | |
| ⚡ Z60M201 | 130 | 175 | 184 | 228 | 490 | 340 | 500 | 70000 | 14000 | 66 |
| ⚡ Z60M241 | 150 | 200 | 212 | 268 | 570 | 400 | 500 | 70000 | 10000 | 66 |
| ⚡ Z60M271 | 175 | 225 | 243 | 297 | 630 | 455 | 500 | 70000 | 10000 | 66 |
| ⚡ Z60M331 | 210 | 275 | 297 | 363 | 680 | 550 | 500 | 70000 | 8500 | 66 |
| ⚡ Z60M361 | 230 | 300 | 324 | 396 | 730 | 595 | 500 | 70000 | 7700 | 66 |
| ⚡ Z60M391 | 250 | 330 | 354 | 429 | 880 | 620 | 500 | 70000 | 7100 | 66 |
| ⚡ Z60M431 | 275 | 369 | 389 | 473 | 950 | 680 | 500 | 70000 | 6600 | 66 |
| ⚡ Z60M471 | 300 | 385 | 423 | 517 | 1000 | 775 | 500 | 70000 | 5900 | 66 |
| ⚡ Z60M511 | 320 | 420 | 462 | 539 | 1100 | 760 | 500 | 70000 | 5700 | 66 |
| ⚡ Z60M621 | 385 | 505 | 558 | 682 | 1300 | 1025 | 500 | 70000 | 4600 | 66 |
| ⚡ Z60M681 | 420 | 560 | 610 | 748 | 1500 | 1060 | 500 | 70000 | 4400 | 66 |
| ⚡ Z60M751 | 480 | 640 | 670 | 825 | 1600 | 1160 | 500 | 70000 | 3900 | 66 |
| ⚡ Z60M781 | 485 | 640 | 702 | 858 | 1650 | 1290 | 500 | 70000 | 3800 | 66 |
| ⚡ Z60M821 | 510 | 675 | 735 | 910 | 1800 | 1300 | 500 | 70000 | 3500 | 66 |
| ⚡ Z60M911 | 575 | 730 | 805 | 1000 | 2100 | 1420 | 500 | 70000 | 3300 | 66 |
| ⚡ Z60M951 | 580 | 760 | 855 | 1045 | 2100 | 1500 | 500 | 70000 | 3100 | 66 |
| ⚡ Z60M102 | 660 | 850 | 940 | 1160 | 2300 | 1640 | 500 | 70000 | 2900 | 66 |
| ⚡ Z60M112 | 680 | 895 | 990 | 1210 | 2300 | 1640 | 500 | 70000 | 2700 | 66 |
| ⚡ Z60M122 | 750 | 970 | 1080 | 1320 | 2600 | 1880 | 500 | 70000 | 2400 | 66 |
| ⚡ Z60M142 | 880 | 1150 | 1260 | 1540 | 3200 | 2290 | 500 | 70000 | 2100 | 66 |
| ⚡ Z60M162 | 900 | 1200 | 1440 | 1760 | 3300 | 2700 | 500 | 70000 | 1800 | 66 |
| ⚡ Z60M182 | 1100 | 1400 | 1620 | 2060 | 3800 | 2940 | 500 | 70000 | 2200 | 66 |
| ⚡ Z60M222 | 1400 | 1750 | 2020 | 2550 | 5000 | 3600 | 500 | 70000 | 1800 | 71 |
| ⚡ Z60M272 | 1700 | 2150 | 2500 | 3030 | 6000 | 4300 | 500 | 70000 | 1500 | 71 |
| ⚡ Z60M332 | 2000 | 2500 | 2970 | 3630 | 7500 | 5200 | 500 | 70000 | 1200 | 71 |
| ⚡ Z60M392 | 2400 | 3000 | 3510 | 4290 | 8600 | 6200 | 500 | 70000 | 1000 | 71 |
| ⚡ Z60M472 | 2800 | 3500 | 4230 | 5170 | 10000 | 7400 | 500 | 70000 | 800 | 71 |

Maximum Power Dissipation: Z60M - 2.5 watts
 MOVs having the Underwriters Laboratory Recognized Component Mark, ⚡, conform to UL 1414, UL1449 second edition and CSA class 222101. CKE's UL recognized parts are listed on file #E90510. Typical response time is less than 15 nanoseconds.
 All parts RoHS compliant