

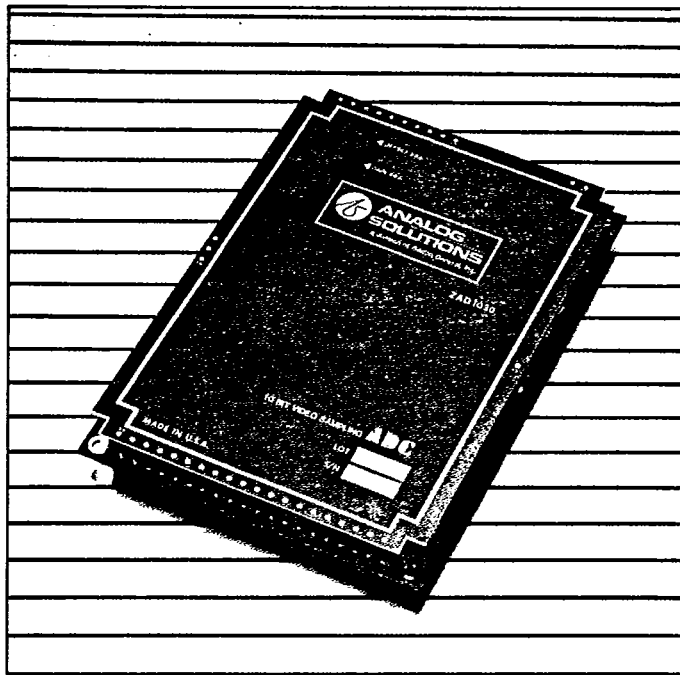


**ANALOG
SOLUTIONS™**
a subsidiary of Silicon General, Inc.

ZAD1030

**Video Sampling
Analog-To-Digital Converter**

T-51-10-10



Applications

- Medical Imaging Systems
- Signature Analysis
- Spectrum Analysis
- Radar Digitizing
- Television Digitizing

Key Features

- 10-bit @ 30 MHz Word Rates
- Fully Variable Conversion Speed
- Typical Power Consumption 13 Watts
- Built-in Track and Hold
- ECL Compatible
- Pin-Compatible with MOD-1020

Solutions for Data Conversion

General Description

The Analog Solutions model ZAD1030 is an ultra-high-speed, Sampling A/D Converter with 10-bit linearity at word rates to 30 MHz and at input signals to 30 MHz. The ZAD1030 utilizes a unique circuit design along with the latest custom semiconductor and Surface Mount Technology (SMT) to provide the high performance necessary in video converters.

The 1030 operates from DC to 30 MHz which eliminates the need to specify unit operation for fixed conversion rates. A maximum differential and integral non-linearity of ± 1 LSB is guaranteed. The ZAD1030 has fewer parts and 35% less power dissipation than earlier designs.

The ZAD1030 is constructed on a single 5" x 7" printed circuit board and is pin-compatible with the MOD1020, while offering superior performance. It is a complete converter including integral track-and-hold, timing circuitry, references and latched digital outputs. The outputs are a balanced parallel digital configuration. The A/D requires only an

external encode command input pulse and external power supplies for proper operation. With an input impedance greater than 500 ohms, the unit is easily terminated to match the lower impedance of the system.

The ZAD1030, with superior 10-bit linearity over the full input bandwidth, provides immediate performance improvements when replacing older video converters.

The ZAD1030 is ideally suited for systems requiring the ultimate in conversion speed, accuracy and flexibility. Such applications include variable frame rate television, radar digitizing, digital communications, medical instrumentation and many others.

PERFORMANCE SPECIFICATIONS
ZAD1030 VIDEO SAMPLING ANALOG-TO-DIGITAL CONVERTER

SPECIFICATIONS *		DYNAMIC CHARACTERISTICS		
Resolution	10 bits (0.1% FS)	AC Linearity	Spurious Signals	S/N Ratio
LSB Weight	1 mV or 2 mV depending upon selected input range	DC to 0.5 MHz	-64 dB max. -68 dB typ.	55 dB min. 58 dB typ.
ANALOG INPUT		0.5 MHz to 99 MHz	-62 dB max. -67 dB typ.	53 dB min. 56 dB typ.
Voltage Range	1 Vp-p or 2 Vp-p depending upon hook-up (see figure on page 4)	1 to 499 MHz	-59 dB max. -64 dB typ.	50 dB min. 53 dB typ.
Impedance	1000 ohm (2 V Input Range) 500 ohm (1 V Input Range)	5 to 899 MHz	-56 dB max. -60 dB typ.	46 dB min. 50 dB typ.
Offset	Preset at factory to Bipolar input range. Adjustable to Unipolar range with on board potentiometer (see table 4)	9 to 12.49 MHz	-51 dB max. -55 dB typ.	44 dB min. 47 dB typ.
Maximum Input Voltage	15 V (2 V input range) 8 V (1 V input range)	12.5 to 15 MHz	-48 dB max. -50 dB typ.	42 dB min. 45 dB typ.
ACCURACY		Conversion Rate	DC to 30 MHz fully variable	
No Missing Codes	Guaranteed	Aperture Time Delay	5 ns max.	
Monotonicity	Guaranteed	Aperture Jitter	10 ps rms max.	
Differential Non-Linearity @ DC to 10MHz	±1/2 LSB typ., ±1 LSB max.	Power Supply Sensitivity	Output Change < 0.1%/V change on any supply	
Integral Non-Linearity	±1/2 LSB typ., ±1 LSB max.	Input Bandwidth	Flat within ±0.2 dB DC to 12.5 MHz Flat within ±0.6 dB DC to 25 MHz	
Gain Error	Adjustable to zero with on-board potentiometer	Transient Response ²	50 ns	
Gain Versus Temp.	±0.015% of FSR/°C	Overvoltage Recovery ³	50 ns	
Offset Error	Adjustable to zero with on-board potentiometer	Conversion Time	46 ns + 2 clock periods. Output data valid after third convert command (2 pipeline delays). Use of the data-ready output is recommended for strobing output data into external registers.	
Offset vs Temperature:	±0.025% FSR/°C	DIGITAL OUTPUT DATA		
ENCODE COMMAND INPUT		Format	10 parallel bits, NRZ	
Balanced input; ENCODE and $\overline{\text{ENCODE}}$		Logic Levels	ECL Compatible "0" = -1.7 V "1" = -0.9 V	
Start conversion on rising edge of ENCODE.		Drive	75 ohm to 100 ohm Line-to-Line	
Logic Compatibility	Balanced ECL: 0 = -1.7V, 1 = -0.9V	Time Skew	5 ns max.	
Impedance	100 ohm line-to-line	Coding	Binary, Offset binary, 2's Complement	
Rise and Fall Time	5 ns max.	POWER REQUIREMENTS		
Duration (Min/Max)	10 ns/70% of duty cycle	+ 15 V ±5%	225 mA.	
Frequency	DC to 30 MHz, fully variable	- 15 V ±5%	195 mA.	
DATA READY OUTPUT		+ 5 V ±5%	160 mA.	
Logic Level,		-5.2 V ±5%	1.3 A.	
ECL Compatible	0 = -1.7 V	Power Consumption	13.9 W	
(Balanced Output)	1 = -0.9V	PHYSICAL CHARACTERISTICS		
Rise and Fall Times	5 ns max.	CONSTRUCTION	Single Printed Circuit Card 5" x 7"	
Duration	20 ns ±3 ns			
TEMPERATURE RANGE				
Operating	0 to 70°C			
Storage	-55 to +85°C			
Cooling requirement-forced airflow of 500 lfpm required at ambient temperatures above 35°C.				

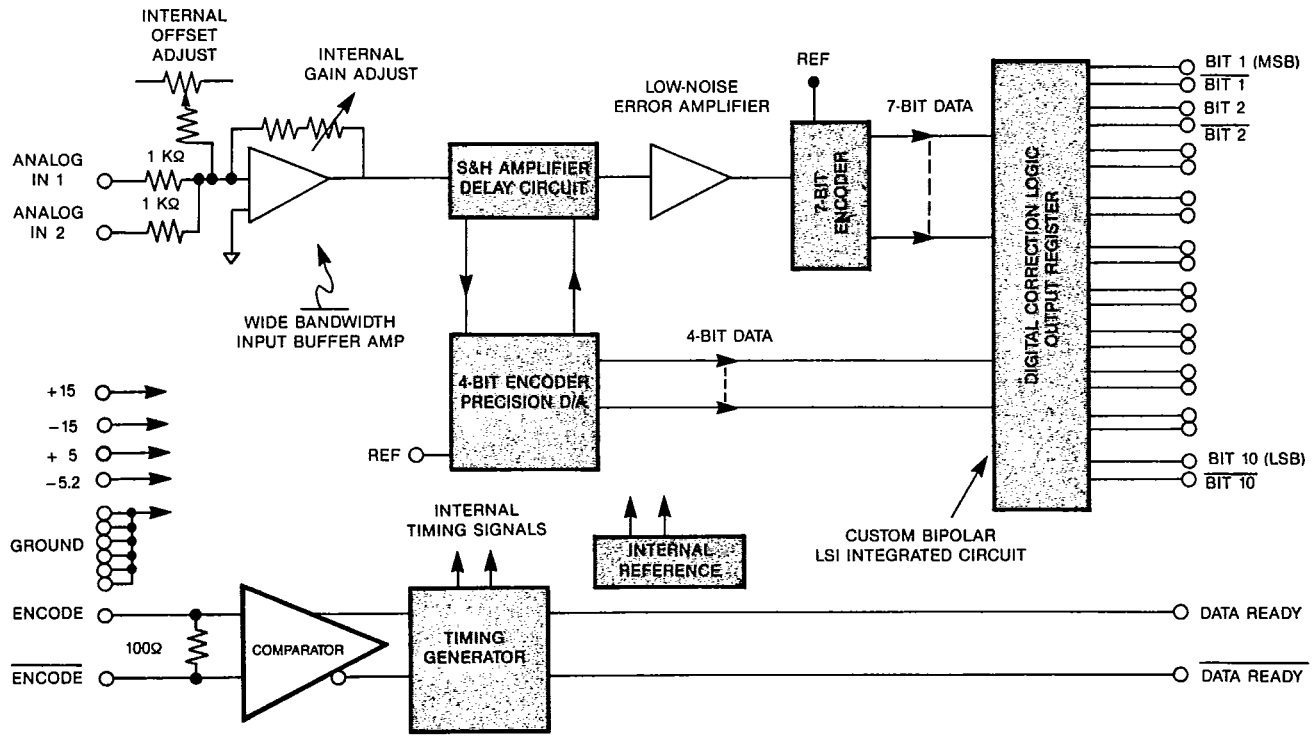
Notes:

*Specifications apply at 25°C and nominal supply voltages unless otherwise indicated.

- 1) RMS signal to RMS noise ratio with 500 kHz analog input.
- 2) For full-scale step input attains 10-bit accuracy in time specified.

3) Recovers to 10-bit accuracy after 2 X FS input over voltage in specified time.

4) Shaded areas denote enhanced performance. Specifications subject to change without notice.



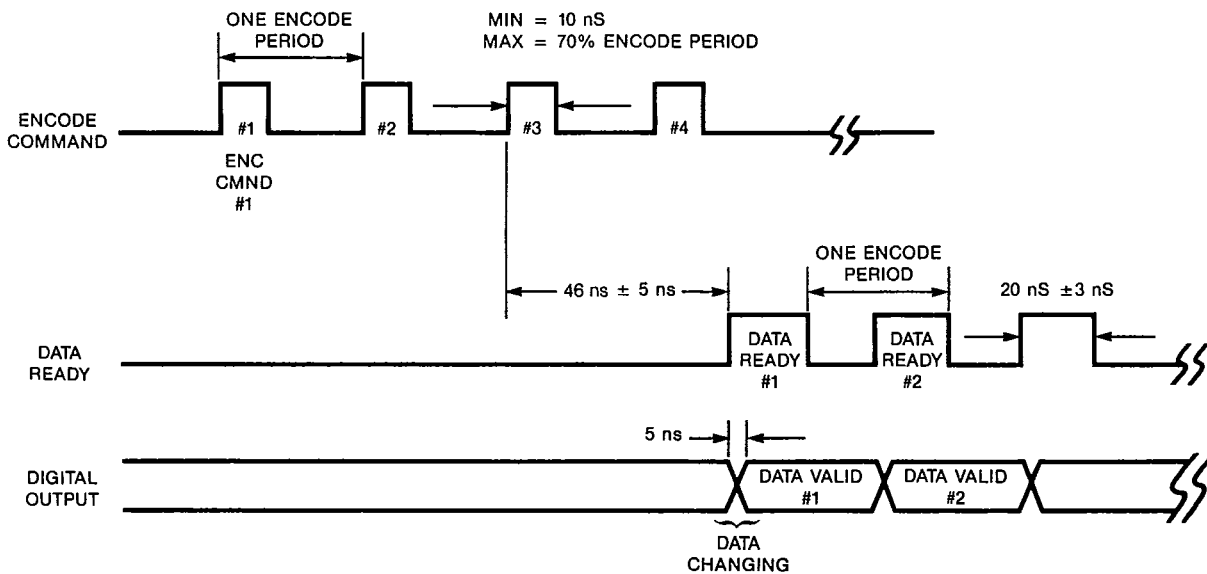
Block Diagram

Description of ZAD1030

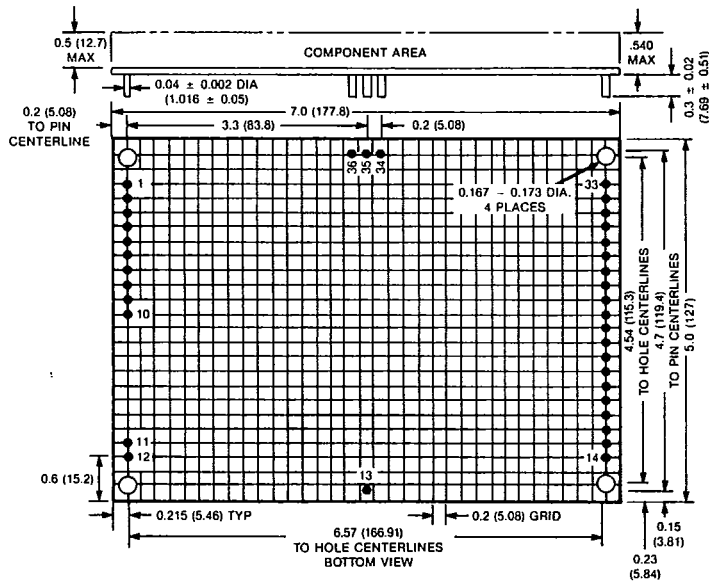
The analog input signal is applied through the input buffer amplifier to a proprietary ultra-high-speed 4-bit flash converter and S/H amplifier. The output of the 4-bit flash is applied to a true 10-bit video speed DAC. This output is subtracted from the input and the output is then digitized by a 7-bit flash converter. The 4-bit initial conversion and 7-bit second conversion are combined with 1 bit of digital correction overlap, to provide the 10-bit output results. This A/D architecture is a Digitally Corrected Sub-Ranging (DCSR) structure and has all of the error correction benefits of this approach.

A custom digital IC provides the digital correction circuitry and output latches necessary for the ZAD1030's proper operation.

Using custom IC's and the latest analog circuit design, the ZAD1030 has fewer parts and dissipates 35% less power than older designs. This reduction in component count and heat dissipation results in a converter that is more stable and much more reliable.



Timing Diagram



Mechanical Configuration

Pin Assignments

1	GROUND	19	BIT 8
2	ENCODE COMMAND	20	BIT 7
3	ENCODE COMMAND	21	BIT 7
4	GROUND	22	BIT 6
5	-5.2 V	23	BIT 6
6	+15 V	24	BIT 5
7	-15 V	25	BIT 5
8	GROUND	26	BIT 4
9	ANALOG INPUT #1	27	BIT 4
10	ANALOG INPUT #2	28	BIT 3
11	+5 V	29	BIT 3
12	GROUND	30	BIT 2
13	GROUND	31	BIT 2
14	BIT 10 (LSB)	32	BIT 1
15	BIT 10	33	BIT 1 (MSB)
16	BIT 9	34	DATA READY
17	BIT 9	35	GROUND
18	BIT 8	36	DATA READY

All ground pins are connected together within the ADC.

Offset and Gain Adjustment

The offset of the ZAD1030 is adjusted by varying the offset adjustment potentiometer. Apply an input voltage corresponding to positive full scale to the analog input. Adjust the offset adjustment potentiometer such that the digital output is changing between 111111111 and 111111110.

The gain of the ZAD1030 can be adjusted by varying the gain adjustment potentiometer. Apply an input voltage to the analog input that corresponds to negative full scale. Adjust the gain adjustment potentiometer such that the digital output is between 000000000 and 000000001. Refer to diagram to determine proper input voltages for the offset and gain adjustments.

Table 4 — Input Voltage

Offset Adjust Setting	1V Range	2V Range
1/8 from full CW (Bipolar)	- .4995V, + .4995V	- .999V, + .999V
1/8 from full CW (Unipolar)	0V, + .999V	0V, + 1.998V

Additional Products from Analog Solutions

- Precision Sampling A/D Converters
- Precision 16-bit and 18-bit D/A Converters
- High-Performance Sample/Hold Amplifiers
- Special Amplifiers: Logarithmic, Isolation
- High-Speed Telecommunications A/D and D/A Systems
- High-Speed Industrial Control Interfaces
- Precision Strain Gage and Load Cell Measurement Sub-systems

Custom Products

We invite customers to take full advantage of our custom design capability to provide the optimum product solution. Please contact our sales department for further information.

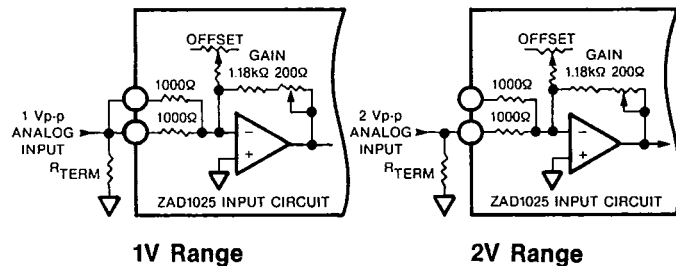


Figure 4 — Input Connection

To Order Simply Specify:

Since every ZAD1030 operates over the full DC to 30 MHz conversion rate, no special encode rate suffixes are required.

For more information, contact Analog Solutions.



Analog Solutions
 85 West Tasman Drive
 San Jose, CA 95134-1703
 Telephone: 408-433-1900
 FAX: 408-433-9308

European Sales Office
 London, England
 Telephone: 0372-377779
 Telex: 897628