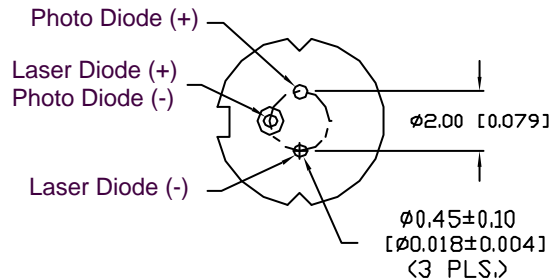
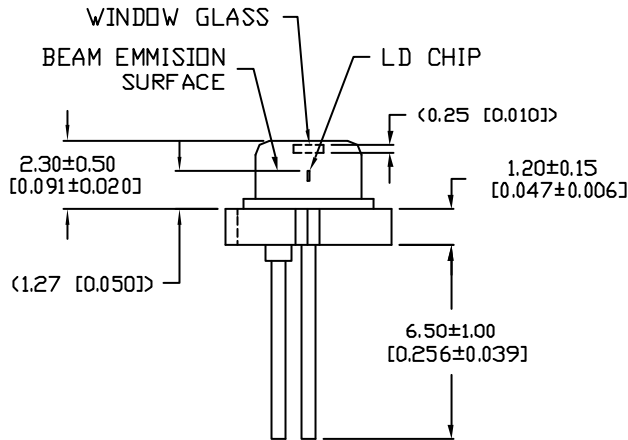
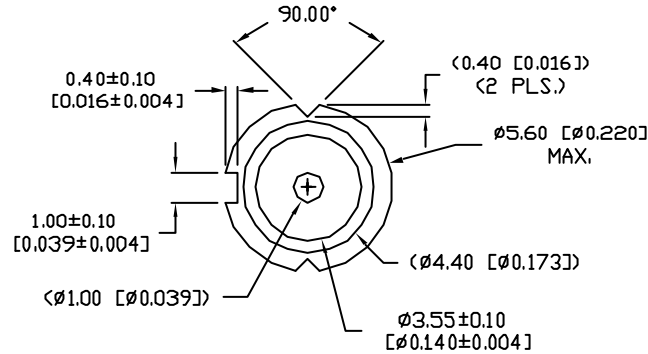


ZD1954

10mW LASER DIODE with LENS

655nm, TO18 (5.6mm diameter) package

Rev 1.2



X.XX=+/-0.25 (+/-0.010)

*UNLESS OTHERWISE SPECIFIED TOLERANCES PER DECIMAL PRECISION ARE: X=±1 (±0.039), XX=±0.5 (±0.020)

Please observe the operating parameters listed below!

ELECTRO-OPTICAL CHARACTERISTICS (Tc=25°C)

PARAMETER	SYMBOL	MIN	TYP	MAX	TEST COND	UNITS
LASING WAVELENGTH	λ	645	653	660	Po=10mW	nm
THRESHOLD CURRENT	I _{th}		30	45	CW	mA
OPERATING CURRENT	I _{op}		45	60	Po=10mW	mA
OPERATING VOLTAGE	V _{op}		2.3	2.6	Po=10mW	V
MONITORING CURRENT	I _m	0.1	0.15	0.7	Po=10mW	mA
BEAM DIVERGENCE:	θ	6	7.5	9	Po=10mW	deg.
	θ_L	32	38	42	FWHM	deg.

ABSOLUTE MAXIMUM RATINGS (Tc=25°C)

PARAMETER	SYMBOL	MAX	UNITS
OPTICAL POWER	P _o	10	mW
LD REVERSE VOLTAGE	V _{R(LD)}	2	V
PD REVERSE VOLTAGE	V _{R(PD)}	10	V
OPERATING TEMP.	T _{op}	- 10 TO + 40	°C
STORAGE TEMP.	T _{stg}	- 40 TO + 85	°C

Reliability Note:

Many years of experience data accumulation indicates that solder heat is a major cause of early and future failure. Please pay attention to your soldering process.

X.XXX=±0.127 (±0.005). LEAD SIZE=±0.05 (±0.002), LEAD LENGTH=±0.75 (±0.030). MIN.= +DECIMAL PRECISION -0.00 MAX.= +0.00 -DECIMAL PRECISION