

■ Model name
ZD 30-2405 [ex.] **24 05**

Name of series Output power Nominal output voltage CH1: 24V output CH2: 5V output

■ Features

- CE marking (Low Voltage Directive)
- Wide input voltage range
85 ~ 132VAC / 170 ~ 265VAC user selectable
- 12 models, dual output 30 ~ 120W
- Isolation between outputs
- Applicable to peak current load (ZD75)
- 1 year warranty

CE (Low Voltage Directive)

1 year warranty

■ Specifications

1. Input voltage range	85 ~ 132VAC / 170 ~ 265VAC (47 ~ 440Hz), 230 ~ 350VDC user selectable
2. Output voltage range	CH1 : +5%, CH2: Fixed (ZD75...CH1: ±5%, CH2: Fixed)
3. Cooling	Convection cooling
4. Operating ambient temperature (Standard mounting)	-10 ~ +60°C Output derating / -10 ~ +50°C: 100%, +60°C: 70% (ZD75...-10°C: 50%, 0 ~ +40°C: 100%, +50°C: 70%, +60°C: 40%)
5. Withstand voltage	Input-output: 3.75kVAC, input-FG: 2.5kVAC, output-FG: 500VAC for 1 min.
6. Safety standard	Approved by UL1950 , CSA950 and EN60950
7. EMI	Conforms to FCC class B, VCCI-class B and VDE class B
8. Functions	Over voltage protection (CH1), Over current protection

■ Product lineup

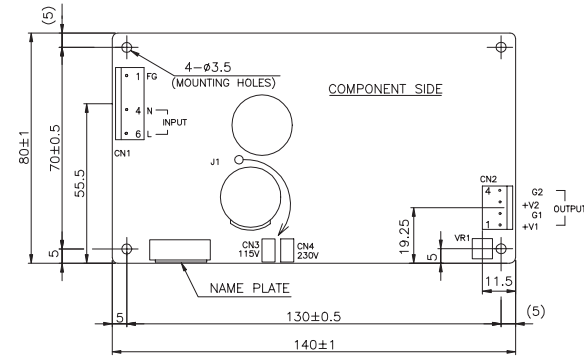
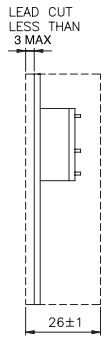
Model name		CH	Nominal output voltage	Max. output current	Max. output power	Total max. output power	UL	CSA	EN
ZD30	ZD30-1205	CH1	12V	2.1A	25.2W	30.2W	○	○	○
		CH2	5V	1A	5W		○	○	○
	ZD30-2405	CH1	24V	1.1A	26.4W	31.4W	○	○	○
		CH2	5V	1A	5W		○	○	○
ZD30-2408	CH1	24V	1.1A	26.4W	32W	○	○	○	
	CH2	8V	0.7A	5.6W		○	○	○	
ZD50	ZD50-1205	CH1	12V	4A	48W	53W	○	○	○
		CH2	5V	1A	5W		○	○	○
	ZD50-2405	CH1	24V	2A	48W	53W	○	○	○
		CH2	5V	1A	5W		○	○	○
ZD50-2408	CH1	24V	2A	48W	53.6W	○	○	○	
	CH2	8V	0.7A	5.6W		○	○	○	
ZD75	ZD75-0512	CH1	5V	3.0A	15.0W	51.0W	○	○	○
		CH2	12V	3.0A	36.0W		○	○	○
	ZD75-0524	CH1	5V	3.0A	15.0W	63.0W	○	○	○
		CH2	24V	2.0A	48.0W		○	○	○
	ZD75-0824	CH1	8V	2.0A	16.0W	64.0W	○	○	○
		CH2	24V	2.0A	48.0W		○	○	○
ZD75-0024	CH1	-	-	-	48.0W	-	-	-	
CH2	24V	2.0A	48.0W	○		○	○		
ZD120	ZD120-1205	CH1	12V	9A	108W	120.5W	○	○	○
		CH2	5V	2.5A	12.5W		○	○	○
	ZD120-2405	CH1	24V	4.5A	108W	120.5W	○	○	○
		CH2	5V	2.5A	12.5W		○	○	○
	ZD120-2408	CH1	24V	4.5A	108W	124W	○	○	○
		CH2	8V	2A	16W		○	○	○

● Request customer specification for further details of specifications, outline, characteristics, etc.
 Read the instruction manual before usage.
 ● Contact us about delivery before ordering.

○ : Safety standard approved

ZD-SERIES

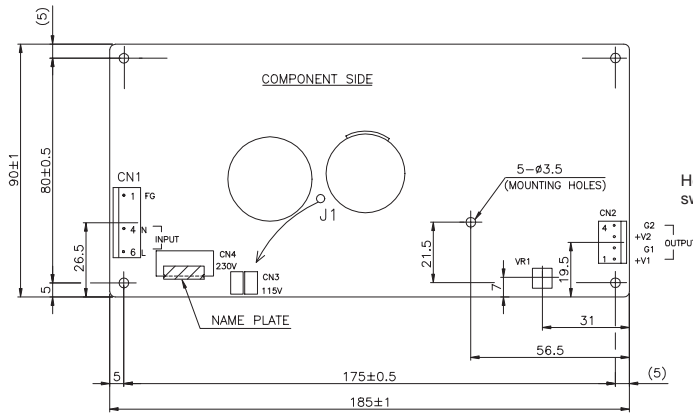
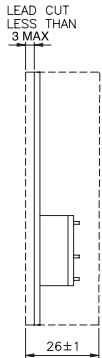
ZD30



Height of power source unit does not include input switching jumper wire.

● Recommended Noise Filter
MAW-1202-22
GO!!
P134
(Unit: mm)

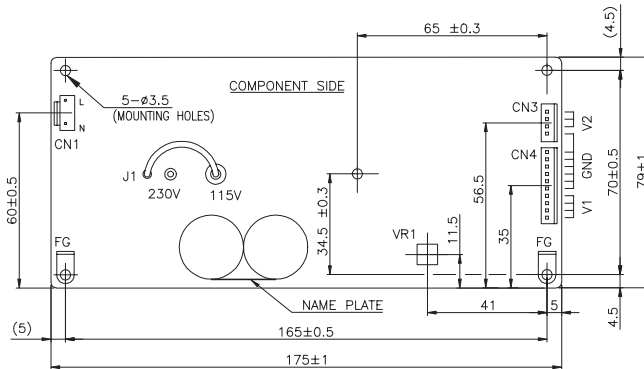
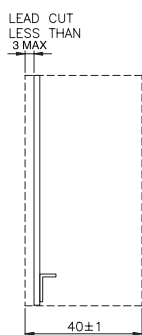
ZD50



Height of power source unit does not include input switching jumper wire.

● Recommended Noise Filter
MAW-1202-22
GO!!
P134
(Unit: mm)

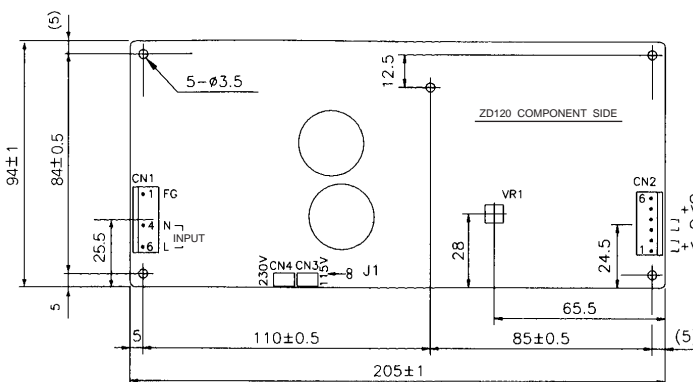
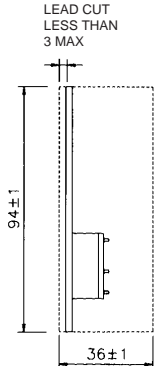
ZD75



Height of power source unit does not include input switching jumper wire.

● Recommended Noise Filter
MAW-1202-22
GO!!
P134
(Unit: mm)

ZD120



Height of power source unit does not include input switching jumper wire.

● Recommended Noise Filter
MAW-1205-22
GO!!
P134
(Unit: mm)