

Coaxial Frequency Mixer

Level 7 (LO Power +7 dBm) 2000 to 4200 MHz

ZFM-4212+ ZFM-4212



SMA version shown
CASE STYLE: K18

Maximum Ratings

Operating Temperature	-55°C to 100°C
Storage Temperature	-55°C to 100°C
RF Power	50mW
IF Current	40mA

Coaxial Connections

LO	1
RF	2
IF	3

Features

- low conversion loss, 5.44 dB typ.
- wideband, 100 to 2000 MHz
- rugged shielded case

Applications

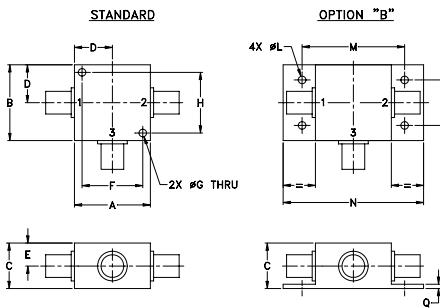
- VHF/UHF
- MMDS
- ISM
- instrumentation

Connectors	Model	Price	Qty.
SMA	ZFM-4212(+)	\$54.95 ea.	(1-9)
BRACKET (OPTION "B")		\$2.50	(1+)

+ RoHS compliant in accordance
with EU Directive (2002/95/EC)

The +Suffix identifies RoHS Compliance. See our web site for RoHS Compliance methodologies and qualifications.

Outline Drawing



Outline Dimensions (inch/mm)

A	B	C	D	E	F	G	H
1.25	1.25	.75	.63	.38	1.00	.125	1.000
31.75	31.75	19.05	16.00	9.65	25.40	3.18	25.40

J	K	L	M	N	P	Q	wt
--	--	.125	1.688	2.18	.75	.07	grams
--	--	3.18	42.88	55.37	19.05	1.78	70.0

Electrical Specifications

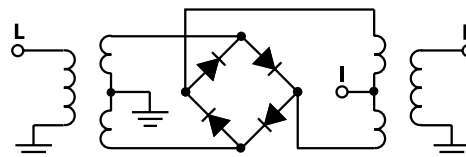
FREQUENCY (MHz)	CONVERSION LOSS (dB)	LO-RF ISOLATION (dB)		LO-IF ISOLATION (dB)	
		Typ.	Min.	Typ.	Min.
2000-4200	DC-1300	5.44	0.088	8.5	

1 dB COMP.: +1 dBm typ.

Typical Performance Data

Frequency (MHz)	Conversion Loss (dB)	Isolation L-R (dB)	Isolation L-I (dB)	VSWR RF Port (:1)	VSWR LO Port (:1)
2000.00	1940.00	5.05	25.30	1.99	6.73
2043.75	1983.75	5.10	25.30	1.99	6.26
2187.50	2127.50	5.57	23.60	1.99	5.85
2331.25	2271.25	5.78	24.40	1.91	6.05
2475.00	2415.00	5.92	26.50	2.01	6.49
2618.75	2558.75	5.81	27.70	2.35	6.49
2762.50	2702.50	5.64	28.30	2.43	6.49
2906.24	2846.24	5.68	28.10	2.37	6.26
3000.00	2940.00	5.85	28.70	2.40	6.73
3050.00	2990.00	5.85	28.10	2.43	7.60
3193.75	3133.75	5.82	27.20	2.27	8.72
3337.50	3277.50	5.56	26.70	2.10	8.31
3481.25	3421.25	5.52	27.40	2.25	8.72
3625.00	3565.00	5.73	27.40	2.12	5.49
3768.75	3708.75	6.35	27.10	2.30	4.32
3912.50	3852.50	6.33	28.60	2.30	4.53
4000.00	3940.00	6.09	29.90	2.18	4.42
4056.25	3996.25	5.82	30.50	1.96	4.32
4119.00	4059.00	5.84	30.60	1.73	4.12
4200.00	4140.00	5.64	30.60	1.46	4.32

Electrical Schematic



Mini-Circuits
ISO 9001 ISO 14001 CERTIFIED

ALL NEW
minicircuits.com

P.O. Box 350166, Brooklyn, New York 11235-0003 (718) 934-4500 Fax (718) 332-4661 For detailed performance specs & shopping online see Mini-Circuits web site



The Design Engineers Search Engine Provides ACTUAL Data Instantly From MINI-CIRCUITS At: www.minicircuits.com

RF/IF MICROWAVE COMPONENTS

REV. A
M98898
ZFM-4212
DJ/TD/CP
070417
Page 1 of 2

Performance Charts

ZFM-4212+ ZFM-4212

