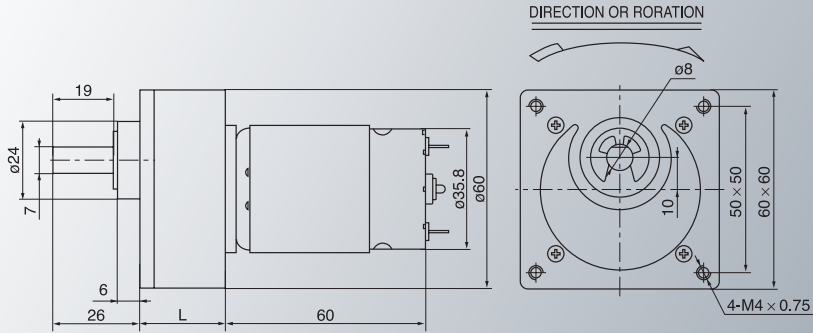


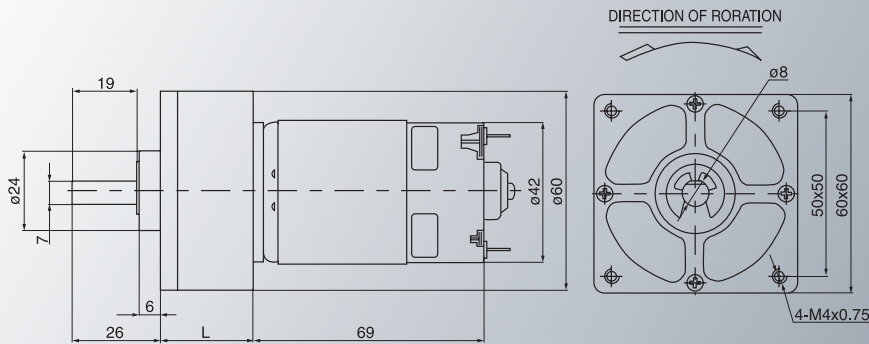
ZGB60FH-G



■技术参数 Technical Data

电压 Voltage(VDC)	12V	12V	24V	24V
马达型号 Motor Model	53H	53H	53H	53H
减速比 Reduction Ratio	1/257	1/92	1/303	1/257
齿轮箱长度 Gearbox Length(mm)	36.5	32.5	36.5	36.5
空载转速 No-Load Speed(Rpm)	20	50	15	21
额定转速 Rated Speed(Rpm)	14	35	10.5	14.7
额定力矩 Rated Torque(Kg.cm)	30	12.5	30	30
额定电流 Rated Current(Amp)	2.1	2.1	1.48	1.48

ZGA60FM-G



■技术参数 Technical Data

电压 Voltage(VDC)	12V	12V	12V	12V	12V	24V	24V	24V	24V	24V
马达型号 Motor Model	46M	35M	46M	46M	46M	46M	35M	46M	46M	46M
减速比 Reduction Ratio	1/334	1/101	1/101	1/68	1/31	1/334	1/101	1/101	1/68	1/31
齿轮箱长度 Gearbox Length(mm)	36.5	32.5	32.5	32.5	30	36.5	32.5	32.5	32.5	30
空载转速 No-Load Speed(Rpm)	13	35	45	60	150	13	35	45	60	150
额定转速 Rated Speed(Rpm)	9.1	24.5	31.5	42	105	9.1	24.5	39.5	42	105
额定力矩 Rated Torque(Kg.cm)	30	25	25	18.75	8.5	30	30	30	30	17
额定电流 Rated Current(Amp)	2.31	1.7	2.31	2.31	2.31	1.5	1.4	1.5	1.5	1.5

★备注: 1.若需要其它规格, 敬请来电联系 2.如若我司以上规格产生变动, 请恕不再另行通知。

Remark: 1.If any specifications else you required are not listed above, Please contact us 2.The specifications are subject to change without notice.