

20-Output DB2000QL Buffer with Ultra-Low Additive Jitter

Features

- Fully Compliant with Intel DB2000QL Specification
- 20 Low-Power Push-Pull HCSL PCIe Outputs
- Supports Latest PCIe Gen 5.0 and Gen 6.0 Spec
- Ultra-Low Additive Jitter: 14 fs Typical in DB2000QL Band
- Supports Clock Frequencies from 0 MHz to 250 MHz
- Supports 3.3V Power Supplies
- Embedded Low Drop Out (LDO) Voltage Regulator Provides Superior Power Supply Noise Rejection
- Maximum Output to Output Skew of 50 ps
- SMBus Interface
- Side-Band Interface (SBI)
- Eight OE Pins
- Embedded Series Termination Resistors for 85Ω Differential Transmission Line
- Transparent for Spread Spectrum Clock

Applications

- PCI Express generation 1/2/3/4/5/6 clock distribution
- Intel QPI
- Servers
- Storage and Data Centers
- Switches and Routers

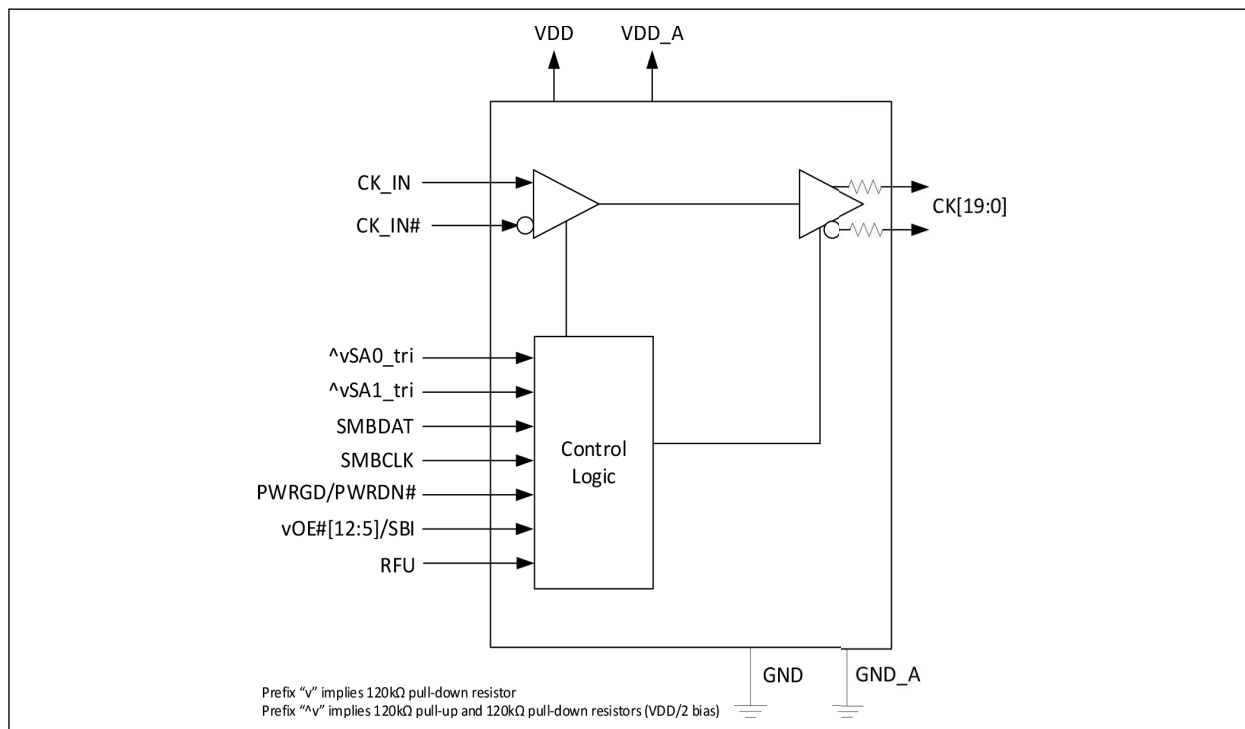


FIGURE 0-1: Functional Block Diagram

TO OUR VALUED CUSTOMERS

It is our intention to provide our valued customers with the best documentation possible to ensure successful use of your Microchip products. To this end, we will continue to improve our publications to better suit your needs. Our publications will be refined and enhanced as new volumes and updates are introduced.

If you have any questions or comments regarding this publication, please contact the Marketing Communications Department via E-mail at docerrors@microchip.com. We welcome your feedback.

Most Current Data Sheet

To obtain the most up-to-date version of this data sheet, please register at our Worldwide Web site at:

<http://www.microchip.com>

You can determine the version of a data sheet by examining its literature number found on the bottom outside corner of any page. The last character of the literature number is the version number, (e.g., DS30000000A is version A of document DS30000000).

Errata

An errata sheet, describing minor operational differences from the data sheet and recommended workarounds, may exist for current devices. As device/documentation issues become known to us, we will publish an errata sheet. The errata will specify the revision of silicon and revision of document to which it applies.

To determine if an errata sheet exists for a particular device, please check with one of the following:

- Microchip's Worldwide Web site; <http://www.microchip.com>
- Your local Microchip sales office (see last page)

When contacting a sales office, please specify which device, revision of silicon and data sheet (include -literature number) you are using.

Customer Notification System

Register on our web site at www.microchip.com to receive the most current information on all of our products.

TABLE OF CONTENTS

1.0 “Pin Diagram”	6
2.0 “Pin Descriptions”	7
3.0 “Functional Description”	11
3.1 “Clock Inputs”	11
3.2 “Clock Outputs”	12
3.3 “Termination of unused outputs”	12
3.4 “Power Supply Filtering”	12
3.5 “OE# and Output Enables (Control Register)”	13
3.6 “OE# Assertion (Transition from ‘1’ to ‘0’)”	13
3.7 “OE# De-Assertion (Transition from ‘0’ to ‘1’)”	13
3.8 “PWRGD / PWRDN#”	14
3.9 “PWRDN# Assertion”	14
3.10 “PWRGD Assertion”	14
3.11 “Programming via SMBus”	15
3.12 “SMBus Byte Read/Write”	16
3.13 “SMBus Block Read/Write”	17
3.14 “Side-Band Interface”	17
3.15 “Typical Jitter Performance”	19
4.0 “Register MAPs”	21
5.0 “AC and DC Electrical Characteristics”	27
5.1 “Absolute Maximum Ratings”	27
5.2 “DC Electrical Specification”	27
5.3 “AC Electrical Specification”	30
5.4 “Side-Band Interface Characteristics”	34
6.0 “Packaging information”	37
6.1 “Package Marking Information”	37
7.0 “Package Outline”	38
8.0 “Acronyms and Abbreviations”	41
Appendix A: “Data Sheet Revision History”	42
Appendix B: “Product Identification System”	43

List of Figures

FIGURE 0-1: “Functional Block Diagram”	1
FIGURE 1-1: “Pin Diagram.”	6
FIGURE 3-1: “Input Driven by a Push-Pull Differential Output.”	11
FIGURE 3-2: “Input Driven By an HCSL Output.”	11
FIGURE 3-3: “Input Driven by a Single Ended Output.”	12
FIGURE 3-4: “Terminating Differential Outputs.”	12
FIGURE 3-5: “Power Supply Filtering.”	13
FIGURE 3-6: “PWRDN# Assertion”	14
FIGURE 3-7: “PWRGD and VDD Relationship Diagram.”	15
FIGURE 3-8: “PWRGD Assertion.”	15
FIGURE 3-9: “SMBus Byte Read.”	16
FIGURE 3-10: “SMBus Byte Write.”	16
FIGURE 3-11: “SMBus Block Read.”	17
FIGURE 3-12: “SMBus Block Write.”	17
FIGURE 3-13: “Side-Band Interface Control Logic (Functional Description).”	18
FIGURE 3-14: “Side-Band Interface Functional Timing.”	19
FIGURE 3-15: “ZL40294 Typical Phase Noise.”	20
FIGURE 5-1: “DC Test Load (as per DB2000QL).”	28
FIGURE 5-2: “Single-Ended Measurement Points for TRISE and TFALL.” ..	29
FIGURE 5-3: “Single-Ended Measurement Points for VOVS, VUDS, VRB.” ..	29
FIGURE 5-4: “Differential (CK, CK#) Measurement Points.”	30
FIGURE 5-5: “AC Test Load as per DB2000QL Specifications.”	31
FIGURE 5-6: “SMBus Timing.”	33
FIGURE 5-7: “Side-Band Interface Timing.”	34

List of Tables

TABLE 2-1: “Pin Descriptions”	7
TABLE 3-1: “OE Functionality”	13
TABLE 3-2: “PWRGD/PWRDN# Functionality”	14
TABLE 3-3: “SMBus Address Table”	16
TABLE 4-1: “Byte 0: Output Enable”	21
TABLE 4-2: “Byte 1: Output Enable Control Register”	21
TABLE 4-3: “Byte 2: Output Enable Control Register”	21
TABLE 4-4: “Byte 3: OE# Pin Realtime Readback Control Register”	22
TABLE 4-5: “Byte 4: Reserved Control Register”	22
TABLE 4-6: “Byte 6: Device ID Control Register”	23
TABLE 4-7: “Byte 7: Byte Count Register”	23
TABLE 4-8: “Byte 8: SBI Mask (Functional Only when SBEN = 1)”	24
TABLE 4-9: “Byte 9: SBI Mask (Functional Only When SBEN = 1)”	24
TABLE 4-10: “Byte 10: SBI Mask (Functional Only when SBEN = 1)”	25
TABLE 5-1: “Absolute Maximum Ratings*”	27
TABLE 5-2: “DC Operating Characteristics*”	27
TABLE 5-3: “Differential DC Output Characteristics*”	28
TABLE 5-4: “Power Noise Tolerance*”	30
TABLE 5-5: “Skew and Jitter”	30
TABLE 5-6: “Differential Output Clock AC Characteristics”	32
TABLE 5-7: “Differential Input Clock AC Characteristics”	32
TABLE 5-8: “Current Consumption”	32
TABLE 5-9: “SmBus Electrical Characteristics”	32
TABLE 5-10: “Side-Band Interface”	34
TABLE 5-11: “6 mm × 6 mm GQFN Package Thermal Properties”	35

ZL40294

1.0 PIN DIAGRAM

The device is packaged in a 6 mm × 6 mm 80-lead WGQFN.

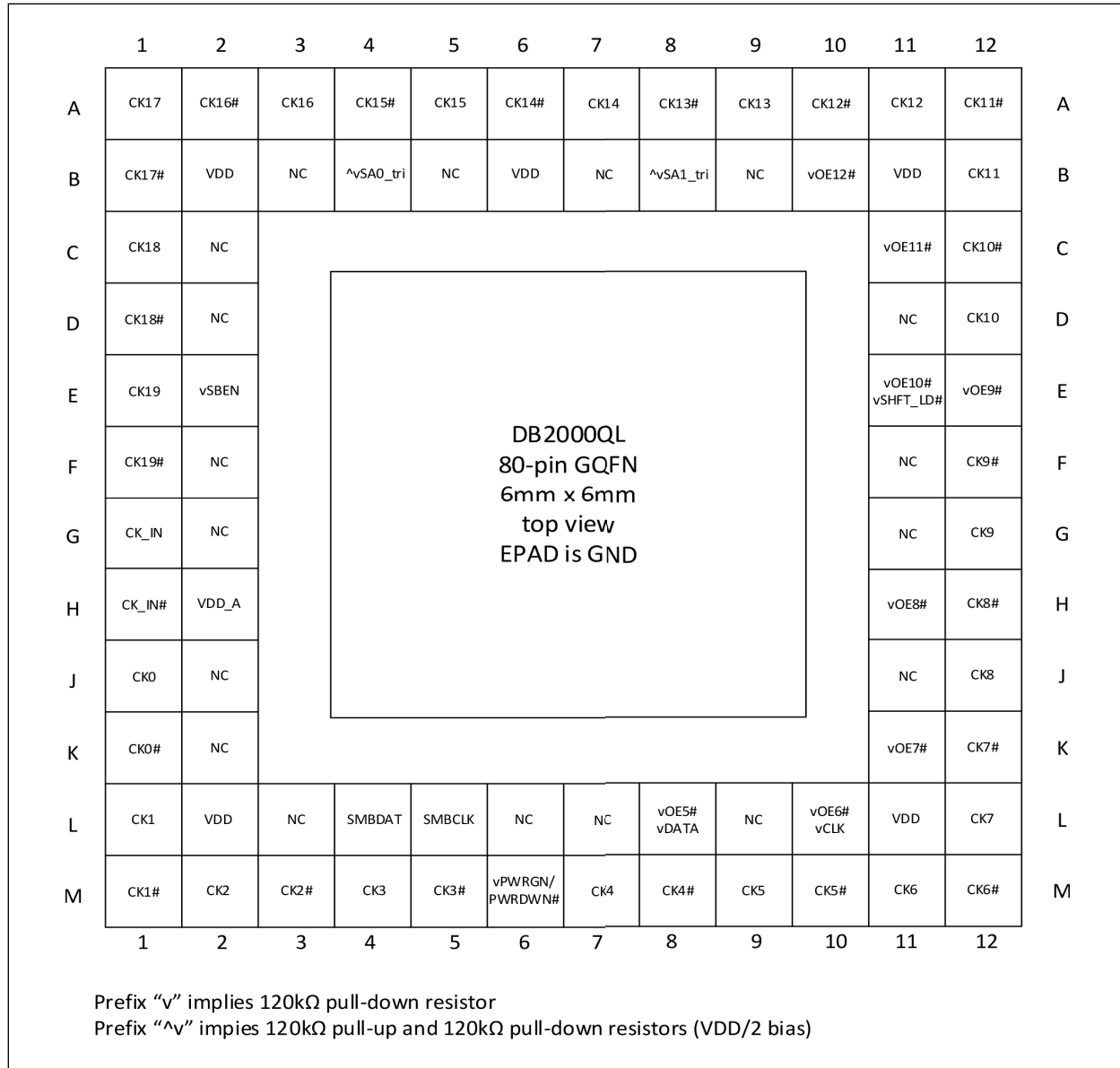


FIGURE 1-1: Pin Diagram.

2.0 PIN DESCRIPTIONS

The I/O column in [Table 2-1](#) uses the following symbols:

- I = Input
- I_{PU} = Input with 120 kΩ internal pull-up resistor
- I_{PD} = Input with 120 kΩ internal pull-down resistor
- O = Output
- I/O = Input/Output Drain pin
- NC = No connect pin
- P = Power supply pin
- I_{TRI} = Tri-level input pin biased to VDD/2 by internal 120 kΩ pull-up and 120 kΩ pull-down resistors

TABLE 2-1: PIN DESCRIPTIONS

Pin Number	Pin Name	Input/Output	Description
Input Reference			
G1	CK_IN	I	Input Differential or Single Ended Reference. Input frequency range 0 Hz to 250 MHz.
H1	CK_IN#		
Output Clocks			
J1	CK0	O	Ultra-Low Additive Jitter Differential Outputs 0 to 19. Output frequency range 0 MHz to 250 MHz
K1	CK0#		
L1	CK1		
M1	CK1#		
M2	CK2		
M3	CK2#		
M4	CK3		
M5	CK3#		
M7	CK4		
M8	CK4#		
M9	CK5		
M10	CK5#		
M11	CK6		
M12	CK6#		
L12	CK7		
K12	CK7#		
J12	CK8		
H12	CK8#		
G12	CK9		
F12	CK9#		
D12	CK10		
C12	CK10#		
B12	CK11		
A12	CK11#		
A11	CK12		
AS10	CK12#		
A9	CK13		
A8	CK13#		
A7	CK14		

TABLE 2-1: PIN DESCRIPTIONS (CONTINUED)

Pin Number	Pin Name	Input/Output	Description
A6	CK14#	O	Ultra-Low Additive Jitter Differential Outputs 0 to 19 Output frequency range 0 MHz to 250 MHz
A5	CK15		
A4	CK15#		
A3	CK16		
A2	CK16#		
A1	CK17		
B1	CK17#		
C1	CK18		
D1	CK18#		
E1	CK19		
F1	CK19#		
Hardware Control			
K11	vOE7#	I _{PD}	Output Enable. Logic level on these pins enables/disables corresponding output: OE_n# = CKn/n# 0 = Active 1 = Low/Low both pulled low by 42.5Ω
H11	vOE8#		
E12	vOE9#		
C11	vOE11#		
B10	vOE12#		
L8	vOE5#/vDATA	I _{PD}	Output Enable/Data Input for Side Band Interface. When Side-Band interface is disabled (pin SBEN pulled low) this pin is Output Enable and the description is the same as for pin K11 above. When Side-Band interface is enabled (pin SBEN pulled high) this pin is Data Input for Side-Band interface.
L10	vOE6#/vCLK	I _{PD}	Output Enable/Clock Input for Side Band Interface. When Side-Band Interface is disabled (pin SBEN pulled low) this pin is Output Enable and the description is the same as for pin K11 above. When Side-Band interface is enabled (pin SBEN pulled high) this pin is Clock Input for Side-Band interface.
E11	vOE10#/ vSHFT_LD#	I _{PD}	Output Enable/Shift Load for Side Band Interface. When Side-Band interface is disabled (pin SBEN pulled low) this pin is Output Enable and the description is the same as for pin K11 above. When Side-Band interface is enabled (pin SBEN pulled high) this pin is Shift Load Input for Side-Band interface. A falling edge on this pin transfers the sideband shift register content to the output register.
E2	vSBEN	I _{PD}	Side-Band Interface Enable. When this pin is low, the Side-Band interface is disabled and OE pins and OE Register bits (via SMBus) can be used to enable/disable outputs. When this pin is high, the Side-Band interface can be used to enable/disable outputs, and OE pins and OE Register bits (via SMBus) are disabled.
M6	PWRGD/ PWRDN#	I	Power Up/Power Down.
SMBus Control			
L5	SMBCLK	I	SMBus Client Clock Input.
L4	SMBDAT	I/O	Input/Open Drain SMBus Data.

TABLE 2-1: PIN DESCRIPTIONS (CONTINUED)

Pin Number	Pin Name	Input/Output	Description
B4	\wedge vSA0_tri	I _{TRI}	Tri Level Address Selection Inputs.
B8	\wedge vSA1_tri		
Power and Ground			
B2	VDD	P	Positive Supply Voltage. Connect to 3.3V supply.
B6			
B11			
L2			
L11			
H2	VDD_A	P	Positive Analog Supply Voltage. Connect 3.3V Power Supply.
E-Pad	GND	P	Ground. Connect to ground.
No Connect Pins			
B3	N/C	—	<p>No Connect. These pins are not connected to the die. Leave them open.</p> <p>One of these pins might be used for future modifications of DB2000QL spec. The current DB2000QL v1.0 standard calls for Reserved for Future Upgrades (RFU) pin but does not assign it to any pin number.</p>
B5			
B7			
B9			
C2			
D2			
D11			
F2			
F11			
G2			
G11			
J2			
J11			
K2			
L3			
L6			
L7			
L9			
Pin Number	Pin Name	Input/Output	Description
Input Reference			
G1	CK_IN	I	Input Differential or Single Ended Reference Input frequency range 0 Hz to 250 MHz
H1	CK_IN#		
Output Clocks			
J1	CK0	O	Ultra-Low Additive Jitter Differential Outputs 0 to 19 Output frequency range 0 MHz to 250 MHz
K1	CK0#		
L1	CK1		
M1	CK1#		
M2	CK2		
M3	CK2#		
M4	CK3		
M5	CK3#		

ZL40294

NOTES:

3.0 FUNCTIONAL DESCRIPTION

The ZL40294 is an ultra-low additive jitter, low power 1 to 20 fanout buffer which is fully compliant with Intel DB2000QL Standard.

The device operates from 3.3V+/-5% supply as per Intel spec. Its operation is guaranteed over the industrial temperature range -40°C to +85°C.

3.1 Clock Inputs

The following blocks diagram shows how to terminate different signals fed to the inputs of ZL40294 device.

The device input can be fed with transmission lines of any impedance. Examples below show only 50Ω single ended, 85Ω differential and 100Ω differential which are the most common ones in practice. Figure 3-1 and Figure 3-2 show how to terminate the input when driven from a push-pull and traditional HCSL drivers respectively.

Figure 3-3 shows how to terminate a single ended output such as LVCMOS. This example assumes 50Ω transmission line which is the most common for single ended CMOS signaling. Ideally, resistors R1 and R2 should be 100Ω each and $R_O + R_S$ should be 50Ω so that the transmission line is terminated at both ends with characteristic impedance.

If the driving strength of the output driver is not sufficient to drive low impedance, the value of series resistor R_S should be increased. This will reduce the voltage swing at the input but this should be fine as long as the input voltage swing requirement is not violated (Figure 3-3). The source resistors of $R_S = 270\Omega$ could be used for standard LVCMOS driver. This will provide 516 mV of voltage swing for 3.3V LVCMOS driver with load current of $(3.3V/2) * (1/(270\Omega + 50\Omega)) = 5.16$ mA.

For optimum performance both differential input pins (_p and _n) need to be DC biased to the same voltage. Hence, the ratio R1/R2 should be equal to the ratio R3/R4.

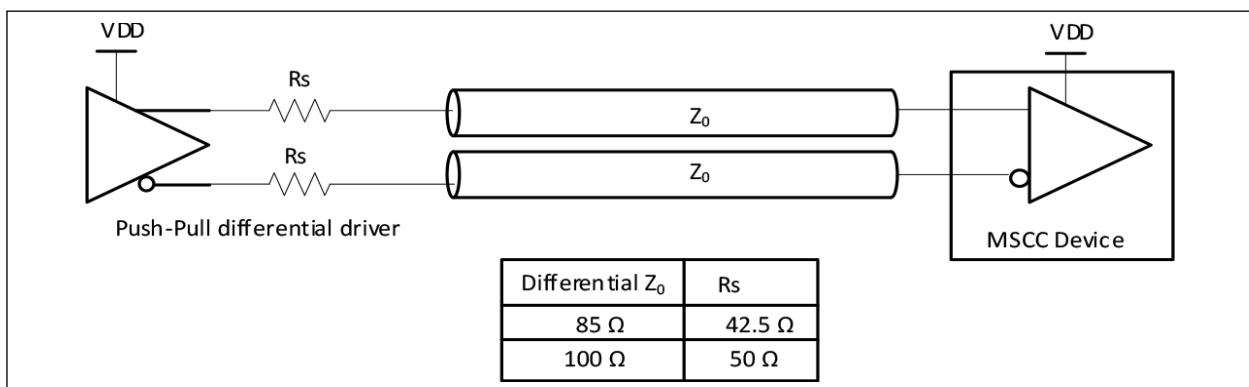


FIGURE 3-1: INPUT DRIVEN BY A PUSH-PULL DIFFERENTIAL OUTPUT.

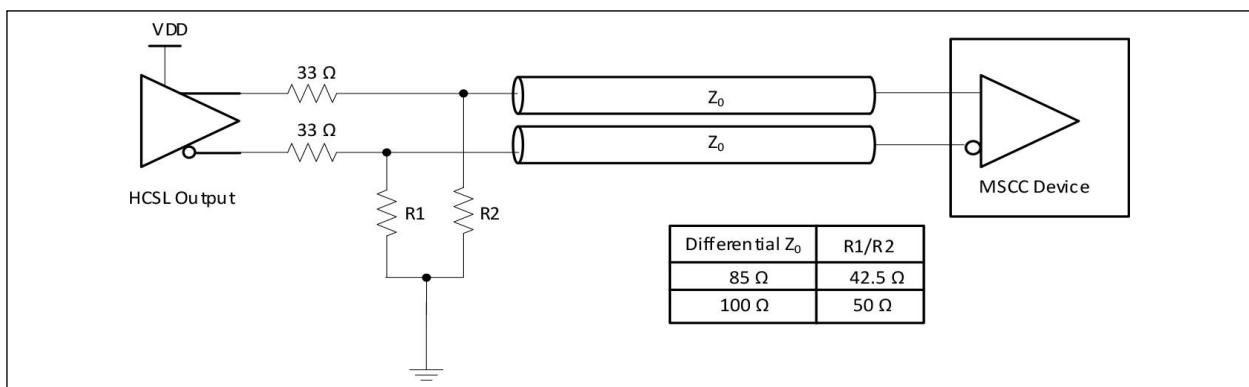


FIGURE 3-2: INPUT DRIVEN BY AN HCSL OUTPUT.

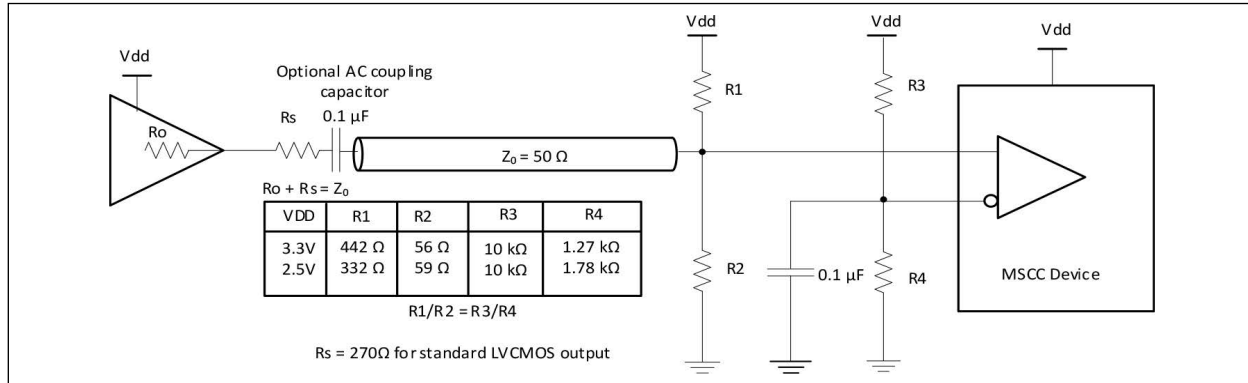


FIGURE 3-3: INPUT DRIVEN BY A SINGLE ENDED OUTPUT.

3.2 Clock Outputs

Differential outputs have embedded termination resistors as shown in Figure 3-4. This provides significant saving relative to traditional current based HCSL outputs which require four resistors per differential pair (80 resistors for 20 outputs).

Embedded termination resistors in ZL40294 are matched for 85Ω differential transmission line.

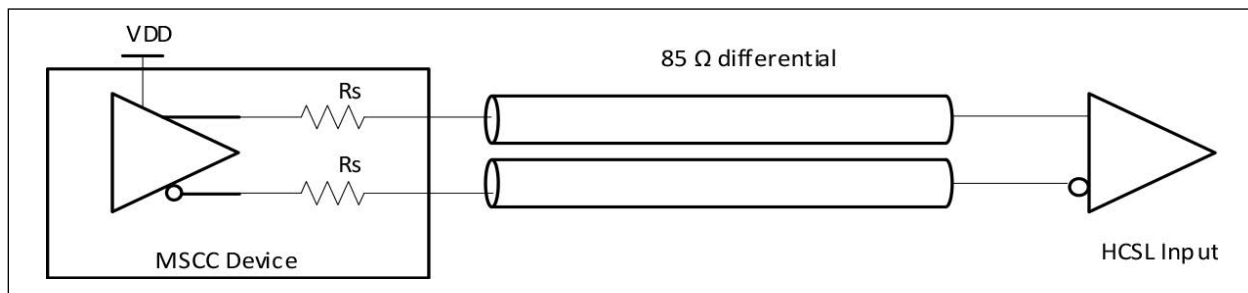


FIGURE 3-4: TERMINATING DIFFERENTIAL OUTPUTS.

3.3 Termination of unused outputs

Unused outputs should be left unconnected.

3.4 Power Supply Filtering

Each power pin (VDDA and VDD) should be decoupled with 0.1 μF capacitor with minimum equivalent series resistance (ESR) and minimum series inductance (ESL). For example, 0402 X5R Ceramic Capacitors with 6.3V minimum rating could be used. These capacitors should be placed as close as possible to the power pins. To reduce the power noise from adjacent digital components on the board each power supply could be further insulated with low DC resistance ferrite bead with two capacitors. The ferrite bead will also insulate adjacent component from the noise generated from the device. Figure 3-5 shows recommended decoupling.

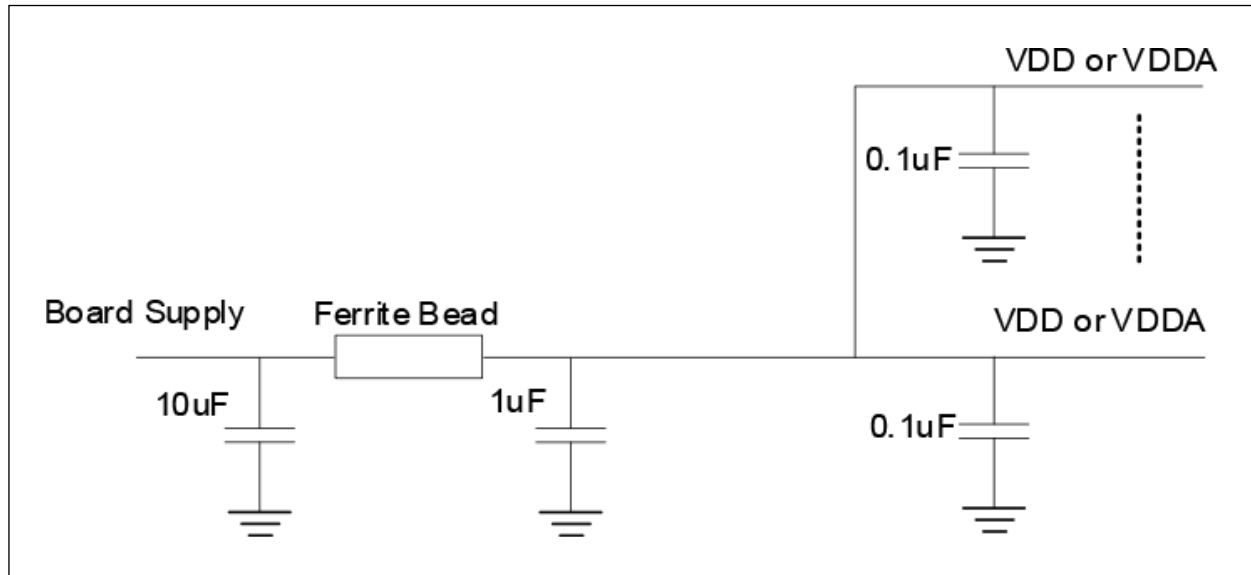


FIGURE 3-5: POWER SUPPLY FILTERING.

3.5 OE# and Output Enables (Control Register)

Each output can be individually enabled or disabled by SMBus control register bits or via OE# pin. The OE# pins are asynchronous asserted-low signals. The Output Enable bits in the SMBus registers are active high and are set to enable by default.

OE# pins are mapped to CK[12:5] outputs.

Note that the logic level for assertion or de-assertion is different in software than it is on hardware. This follows hardware default nomenclature for communication channels (e.g., output is enabled if OE# pin is pulled low) and still maintains software programming logic (e.g., output is enabled if OE register is true).

Refer to [Table 3-1](#) for the truth table for enabling and disabling outputs via hardware and software. Note that both the control register bit must be a '1' AND the OE# pin must be a '0' for the output to be active.

TABLE 3-1: OE FUNCTIONALITY

Inputs		OE# Hardware Pins and Control Register Bits			
PWRGD/ PWRDN#	CK_IN/ CK_IN#	SMBUS Enable Bit	OE# Pin	CK/CK# [12:5]	CK/CK# [4:0] and [19:13]
0	X	X	X	0	0
1	Running	0	X	0	0
		1	0	Running	Running
		1	1	0	Running

3.6 OE# Assertion (Transition from '1' to '0')

All differential outputs that were disabled are to resume normal operation in a glitch free manner. The latency from the assertion to active outputs is 0 - 10 CK clock periods.

3.7 OE# De-Assertion (Transition from '0' to '1')

The impact of de-asserting OE# is each corresponding output will transition from normal operation to disabled in a glitch free manner. A minimum of four valid clocks will be provided after the de-assertion of OE#. The maximum latency from the de-assertion to disabled outputs is 10 CK clock periods.

3.8 PWRGD / PWRDN#

PWRGD is asserted high and de-asserted low. De-assertion of PWRGD (pulling the signal low) is equivalent to indicating a powerdown condition. PWRGD (assertion) is used by the ZL40294 to sample initial configurations such as SA selections.

After PWRGD has been asserted high for the first time, the pin becomes a PWRDN# (Power Down) pin which is used to disable (drive low/low) all clocks cleanly and instruct the device to invoke power savings mode. PWRDN# is a completely asynchronous active low input. When entering power savings mode, PWRDN# should be asserted low prior to shutting off the input clock or power to ensure all clocks shut down in a glitch free manner. When PWRDN# is de-asserted high, all clocks will start and stop without any abnormal behavior and will meet all AC and DC parameters.

The assertion and de-assertion of PWRDN# is asynchronous.

Disabling of the CK_IN input clock prior to assertion of PWRDN# is an undefined mode and not recommended. Operation in this mode may result in glitches.

TABLE 3-2: PWRGD/PWRDN# FUNCTIONALITY

PWRGD/PWRDN#	CK	CK#
0	Low	Low
1	Normal	Normal

3.9 PWRDN# Assertion

When PWRDN# is sampled low by two consecutive rising edges of CK#, all differential outputs will be disabled on the next CK# high to low transition.

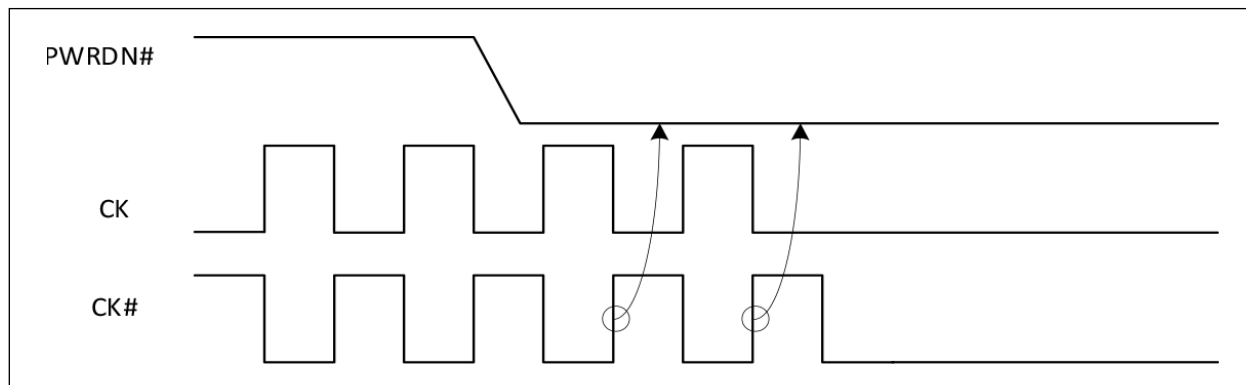


FIGURE 3-6: PWRDN# ASSERTION

3.10 PWRGD Assertion

PWRGD to the clock buffer should not be asserted before V_{DD} reaches $V_{DD(MIN)}$. Prior to $V_{DD(MIN)}$ it is recommended to hold PWRGD low (less than 0.5 V).

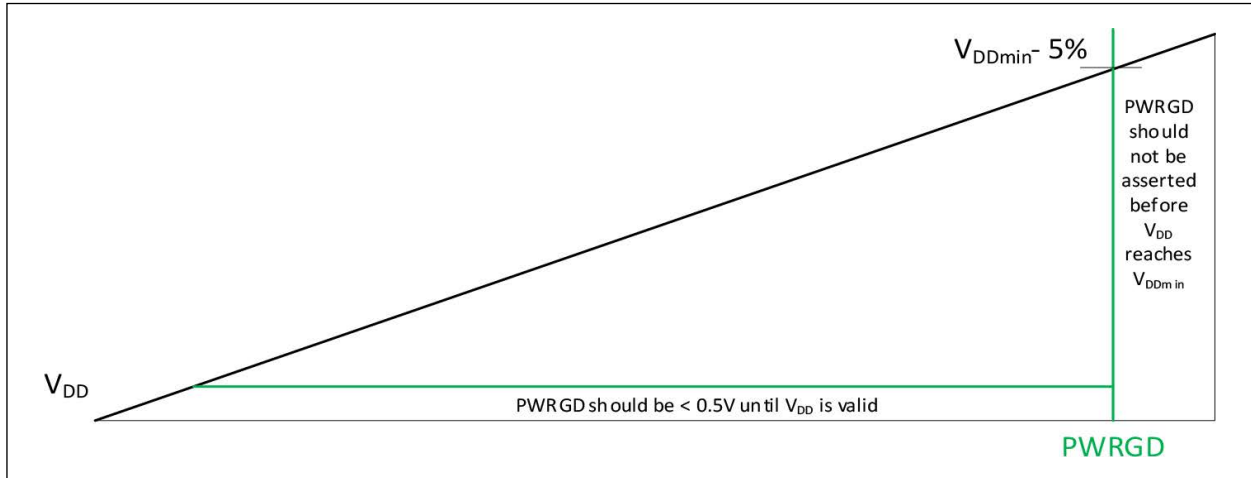


FIGURE 3-7: PWRGD AND VDD RELATIONSHIP DIAGRAM.

The power-up latency T_{STABLE} is to be less than 1.8 ms. This is the time from the valid CK_IN input clocks and the assertion of the PWRGD signal to the time that stable clocks are output from the buffer chip. All differential outputs stopped in a disabled condition resulting from power down must be driven high in less than 300 μs of PWRGD assertion to a voltage greater than 200 mV.

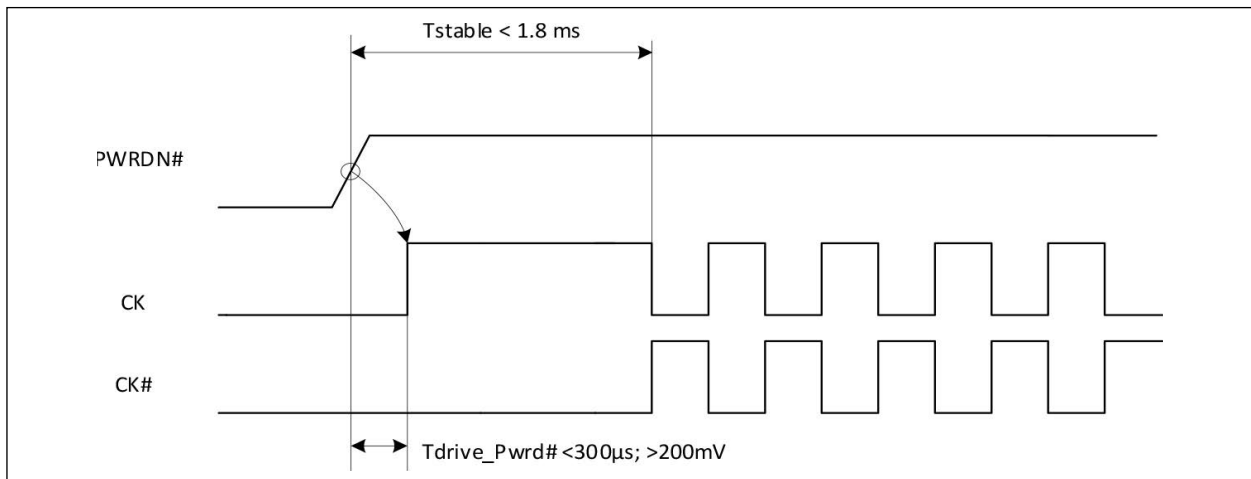


FIGURE 3-8: PWRGD ASSERTION.

3.11 Programming via SMBus

The address selection is done via SA_0 and SA_1 tri-level hardware pins, which select the appropriate address for the device.

The two tri-level input pins that can configure the ZL40294 to nine different addresses (refer to [Table 5-2](#) for VIL_Tri, VIM_Tri, VIH_Tri signal level).

TABLE 3-3: SMBUS ADDRESS TABLE

SA_1	SA_0	SMBus Address
L	L	D8
L	M	DA
L	H	DE
M	L	C2
M	M	C4
M	H	C6
H	L	CA
H	M	CC
H	H	CE

3.12 SMBus Byte Read/Write

Reading or writing a register in a SMBus client device in byte mode always involves specifying the register number.

Read. The standard byte read is as shown in Figure 11. It is an extension of the byte write. The write start condition is repeated then the client device starts sending data and the host acknowledges it until the last byte is sent. The host terminates the transfer with a NAK then a stop condition. For byte operation, the 2*7th bit of the command byte must be set. For block operations, the 2*7th bit must be reset. If the bit is not set, the next byte must be the byte transfer count.

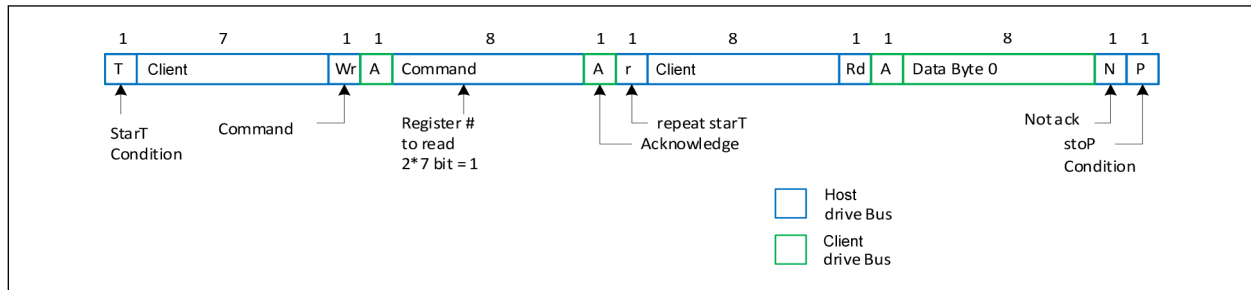


FIGURE 3-9: SMBUS BYTE READ.

Write. Figure 12 illustrates a simple typical byte write. For byte operation the 2*7th bit of the command byte must be set. For block operations, the 2*7th bit must be reset. If the bit is not set the next byte must be the byte transfer count. The count can be between 1 and 32. It cannot be zero or exceed 32.

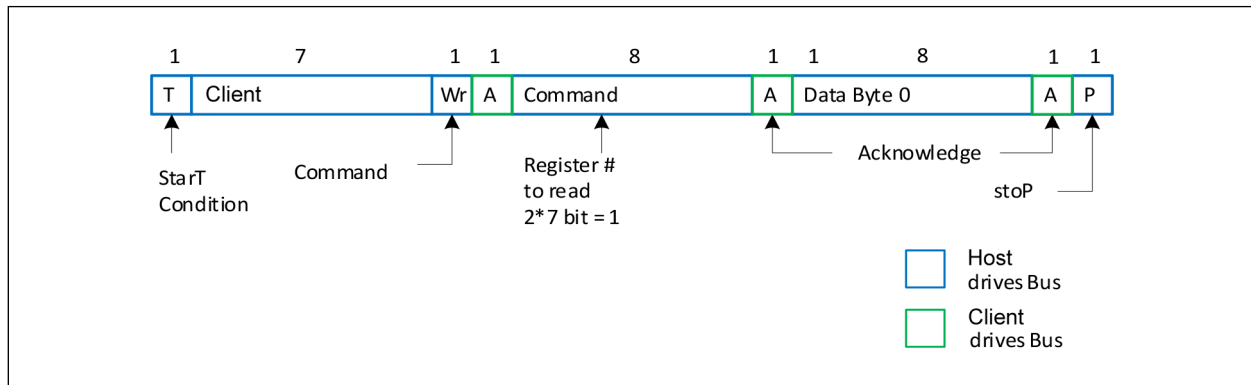


FIGURE 3-10: SMBUS BYTE WRITE.

3.13 SMBus Block Read/Write

Read. After the client address is sent with the r/w condition bit set, the command byte is sent with the MSB = 0. The client Ack's the register index in the command byte. The host sends a repeat start function. After the client Ack's this the client sends the number of bytes it wants to transfer (>0 and <33). The host Ack's each byte except the last and sends a stop function.

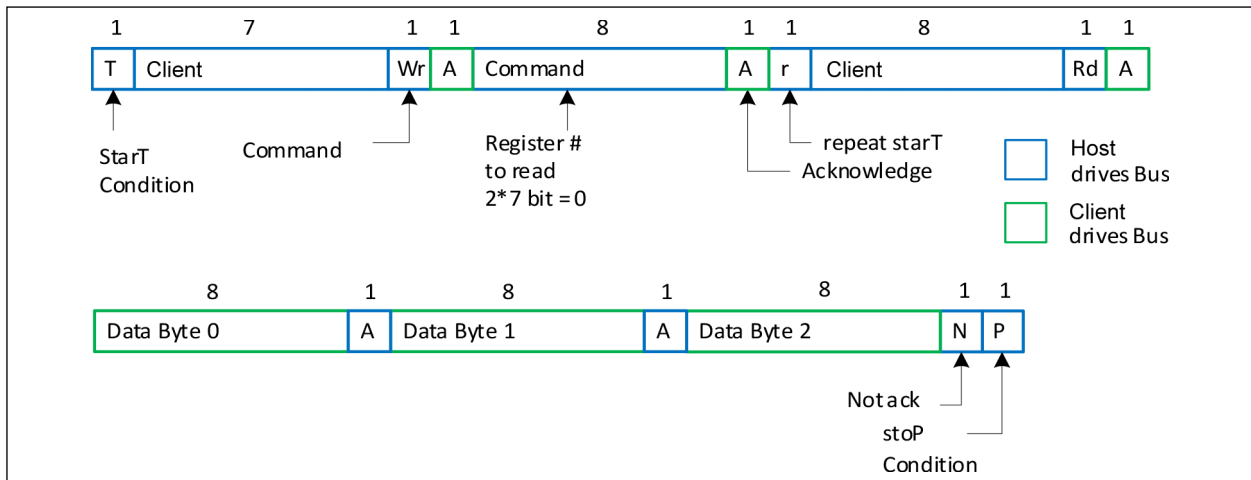


FIGURE 3-11: SMBUS BLOCK READ.

Write. After the client address is sent with the r/w condition bit not set, the command byte is sent with the MSB = 0. The lower seven bits indicate what register to start the transfer at. If the command byte is 00h, the client device will be compatible with existing block mode client devices. The next byte of a write must be the count of bytes that the host will transfer to the client device. The byte count must be greater than zero and less than 33. Following this byte are the data bytes to be transferred to the client device. The client device always acknowledges each byte received. The transfer is terminated after the client sends the Ack and the host sends a stop function.

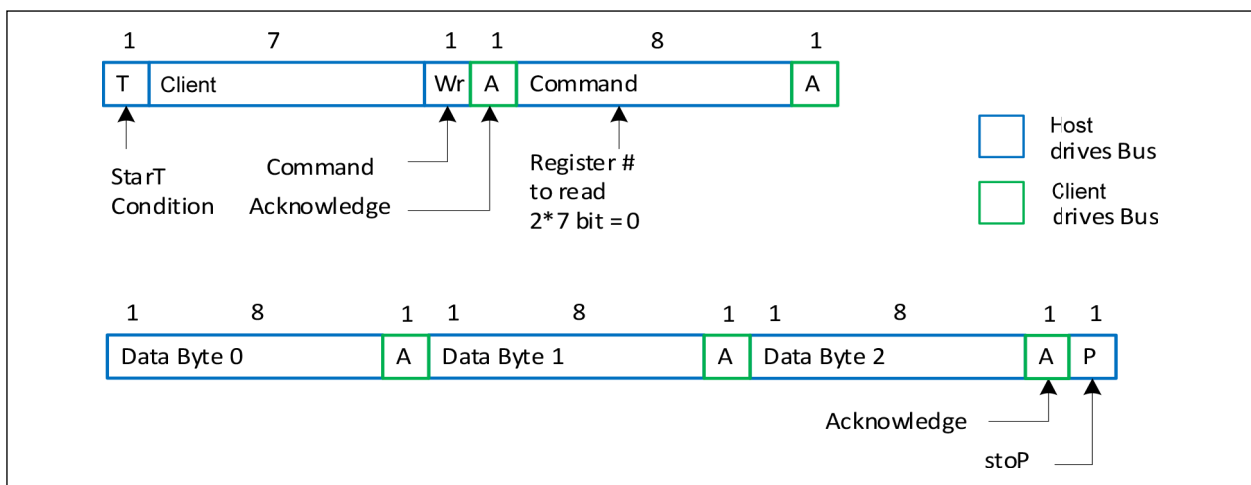


FIGURE 3-12: SMBUS BLOCK WRITE.

3.14 Side-Band Interface

Besides OE pins and SMBUS interface the device outputs can be enabled/disabled via a simple 3-wire serial interface referred to as the Side-Band Interface (SBI).

This interface consists of the vDATA, vCLK and vSHFT_LD# pins. When the vSHFT_LD# pin is high, the rising edge of vCLK can shift vDATA into the shift register. After shifting data, the falling edge of vSHFT_LD# clocks the shift register contents to the Output register.

ZL40294

Both the SBI and the traditional interface feed common output enable/disable synchronization logic ensuring glitch free enable and disable outputs, regardless of the method used.

Both interfaces are not active at the same time, and the SBEN pin selects which interface is active. Tying the SBEN high enables the SBI. Tying the SBEN pin low enables the traditional OE# pin/SMBus output-enable interface.

When the SBI is enabled, OE[7:9, 11,12]# are disabled and vDATA, vCLK and vSHFT_LD# are enabled on vOE5#, vOE6# and vOE10# respectively. Additionally, SMBus registers for masking off the disable function of the shift register (0 value of a bit) become active.

When set to 1, the mask register forces its respective output to 'enabled.' This prevents accidentally disabling critical outputs when using the SBI.

A SMBus read-back bit in Byte 4 indicates which output-enable control interface is enabled.

When the SBI is enabled and power has been applied, the SBI is active, even if the PWRGD/PWRDN# pin indicates the part is in powerdown. This allows loading the shift register and transferring the contents to the output register before the assertion of PWRGD.

Note that the mask registers are part of the normal SMBus interface and cannot be accessed when the PWRGD/PWRDN# is low. [Figure 3-13](#) provides a functional description of the SBI.

The SBI and the traditional SMBus output-enable registers both default to the 'output enabled' state at power-up. The mask registers default to zero at power-up, allowing the shift register bits to disable their respective output.

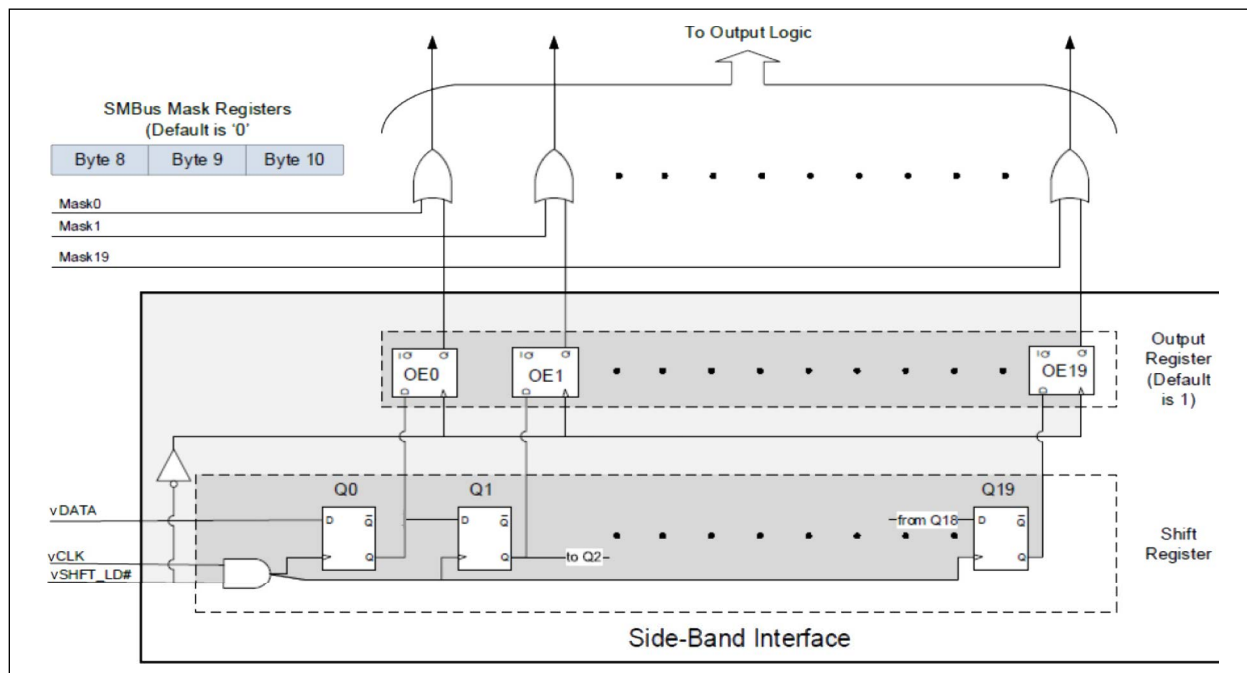


FIGURE 3-13: SIDE-BAND INTERFACE CONTROL LOGIC (FUNCTIONAL DESCRIPTION).

[Figure 3-14](#) shows the basic timing of the side-band interface. The vSHFT_LD# pin goes high to enable the CLK input. Next, the rising edge of CLK clocks enable vDATA into the shift register. After the 20th clock cycle for output 19, it stops the clock low and drive the vSHFT_LD# pin low. The falling edge of vSHFT_LD# clocks the shift register contents to the output register, enabling or disabling the outputs. It always shifts 20 bits of data into the shift register to control the outputs.

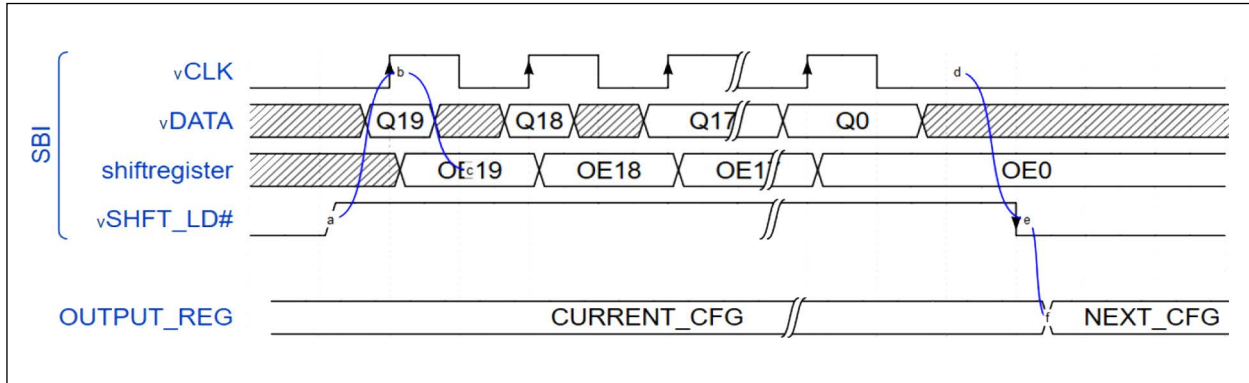


FIGURE 3-14: SIDE-BAND INTERFACE FUNCTIONAL TIMING.

The SBI supports clock rates up to 10 MHz. Multiple devices may share vCLK and vDATA pins. Dedicating a vSHFT_LD# pin to each device allows its use as a chip-select pin. When the vSHFT_LD# pin is low, the ZL40292 device ignores any activity on the vCLK and vDATA pins.

3.15 Typical Jitter Performance

Following figure shows a typical phase noise for 100 MHz clock frequency. The light blue curve is the phase noise of the input clock fed to the device and the dark blue is the phase noise of the output clock. The plot shows phase noise floor of -163 dBc/Hz and an absolute jitter in 12 kHz to 20 MHz of 76 fs. The additive jitter is calculated as:

EQUATION 3-1:

$$J_{ADD} = \sqrt{(J_{OUT}^2 - J_{IN}^2)}$$

Where J_{OUT} and J_{IN} are respectively output and input jitter in the band of interest.

The additive jitter for 12 kHz to 20 MHz band is 58 fs. The additive jitter in the bandpass filter specified by DB2000QL is 14 fs.

ZL40294

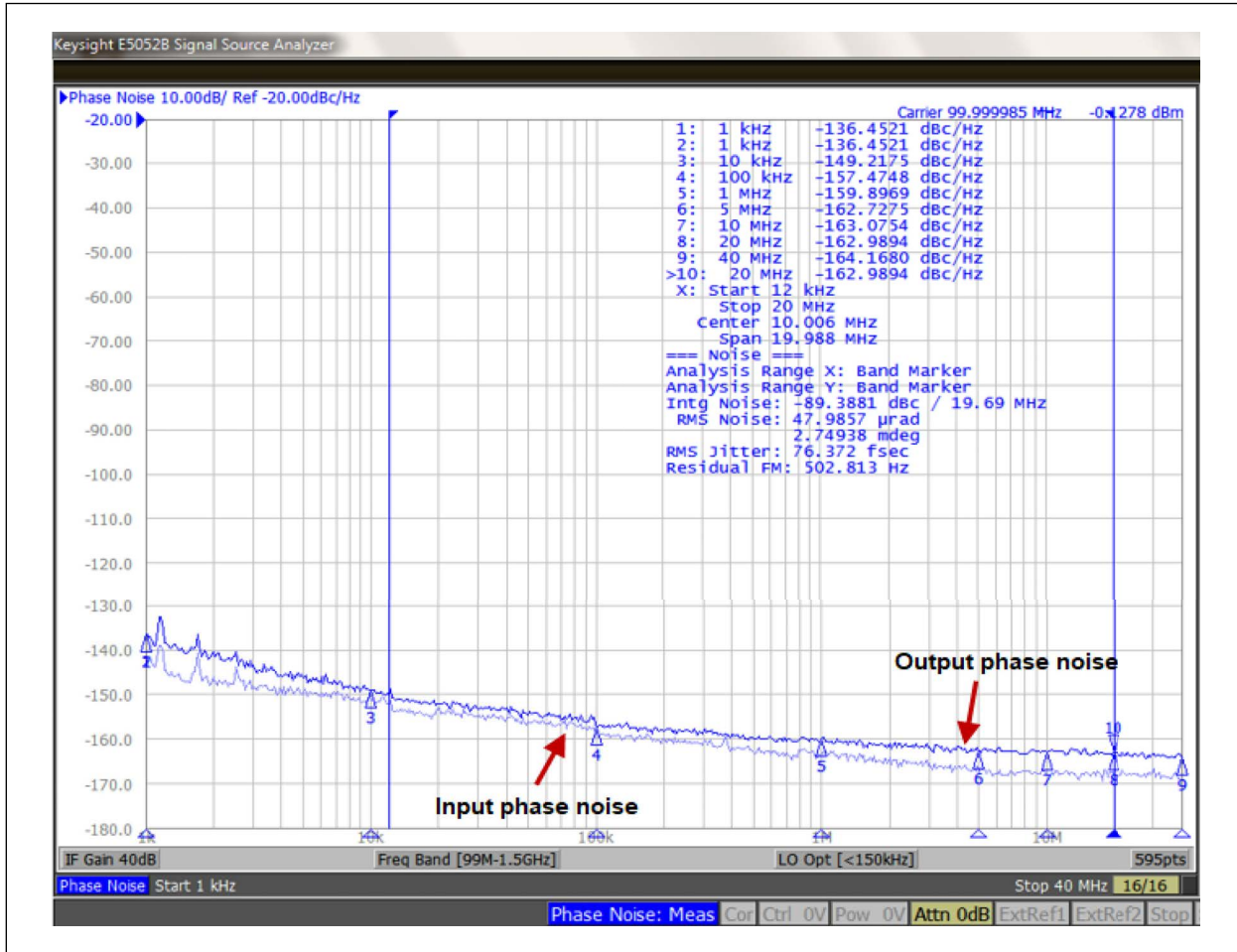


FIGURE 3-15: ZL40294 TYPICAL PHASE NOISE.

4.0 REGISTER MAPS

TABLE 4-1: BYTE 0: OUTPUT ENABLE

Bit	Description	If Bit = 0	If Bit = 1	Type	Default	Output(s) Affected
0	Reserved	—	—	—	0	—
1	Reserved	—	—	—	0	—
2	Reserved	—	—	—	0	—
3	Output Enable CK_16	Low	Enabled	RW	1	CK[16]
4	Output Enable CK_17	Low	Enabled	RW	1	CK[17]
5	Output Enable CK_18	Low	Enabled	RW	1	CK[18]
6	Output Enable CK_19	Low	Enabled	RW	1	CK[19]
7	Reserved	—	—	—	0	—

TABLE 4-2: BYTE 1: OUTPUT ENABLE CONTROL REGISTER

Bit	Description	If Bit = 0	If Bit = 1	Type	Default	Output(s) Affected
0	Output Enable CK_0	Low	Enabled	RW	1	CK[0]
1	Output Enable CK_1	Low	Enabled	RW	1	CK[1]
2	Output Enable CK_2	Low	Enabled	RW	1	CK[2]
3	Output Enable CK_3	Low	Enabled	RW	1	CK[3]
4	Output Enable CK_4	Low	Enabled	RW	1	CK[4]
5	Output Enable CK_5	Low	Enabled	RW	1	CK[5]
6	Output Enable CK_6	Low	Enabled	RW	1	CK[6]
7	Output Enable CK_7	Low	Enabled	RW	1	CK[7]

TABLE 4-3: BYTE 2: OUTPUT ENABLE CONTROL REGISTER

Bit	Description	If Bit = 0	If Bit = 1	Type	Default	Output(s) Affected
0	Output Enable CK_8	Low	Enabled	RW	1	CK[8]
1	Output Enable CK_9	Low	Enabled	RW	1	CK[9]
2	Output Enable CK_10	Low	Enabled	RW	1	CK[10]
3	Output Enable CK_11	Low	Enabled	RW	1	CK[11]
4	Output Enable CK_12	Low	Enabled	RW	1	CK[12]
5	Output Enable CK_13	Low	Enabled	RW	1	CK[13]
6	Output Enable CK_14	Low	Enabled	RW	1	CK[14]
7	Output Enable CK_15	Low	Enabled	RW	1	CK[15]

TABLE 4-4: BYTE 3: OE# PIN REALTIME READBACK CONTROL REGISTER

Bit	Description	If Bit = 0	If Bit = 1	Type	Default	Output(s) Affected
0	Realtime Readback of OE_5#	OE_5# Low	OE_5# High	R	Realtime	CK[5]
1	Realtime Readback of OE_6#	OE_6# Low	OE_6# High	R	Realtime	CK[6]
2	Realtime Readback of OE_7#	OE_7# Low	OE_7# High	R	Realtime	CK[7]
3	Realtime Readback of OE_8#	OE_8# Low	OE_8# High	R	Realtime	CK[8]
4	Realtime Readback of OE_9#	OE_9# Low	OE_9# High	R	Realtime	CK[9]
5	Realtime Readback of OE_10#	OE_10# Low	OE_10# High	R	Realtime	CK[10]
6	Realtime Readback of OE_11#	OE_11# Low	OE_11# High	R	Realtime	CK[11]
7	Realtime Readback of OE_12#	OE_12# Low	OE_12# High	R	Realtime	CK[12]

TABLE 4-5: BYTE 4: RESERVED CONTROL REGISTER

Bit	Description	If Bit = 0	If Bit = 1	Type	Default	Output(s) Affected
0	RB_SBEN	Pin Low	Pin High	Input	Real time	—
1	Reserved	—	—	—	—	—
2	Reserved	—	—	—	—	—
3	Reserved	—	—	—	—	—
4	Reserved	—	—	—	—	—
5	Reserved	—	—	—	—	—
6	Reserved	—	—	—	—	—
7	Reserved	—	—	—	—	—

TABLE 4-6: BYTE 6: DEVICE ID CONTROL REGISTER

Bit	Description	If Bit = 0	If Bit = 1	Type	Default	Output(s) Affected
0	Device ID 0	—	—	R	0	—
1	Device ID 1	—	—	R	1	—
2	Device ID 2	—	—	R	1	—
3	Device ID 3	—	—	R	1	—
4	Device ID 4	—	—	R	1	—
5	Device ID 5	—	—	R	0	—
6	Device ID 6	—	—	R	1	—
7	Device ID 7 (MSB)	—	—	R	0	—

TABLE 4-7: BYTE 7: BYTE COUNT REGISTER

Bit	Description	If Bit = 0	If Bit = 1	Type	Default	Output(s) Affected
0	BC0 - Writing to this register configures how many bytes will be read back	—	—	RW	0	—
1	BC1 - Writing to this register configures how many bytes will be read back	—	—	RW	0	—
2	BC2 - Writing to this register configures how many bytes will be read back	—	—	RW	0	—
3	BC2 - Writing to this register configures how many bytes will be read back	—	—	RW	1	—
4	BC3 - Writing to this register configures how many bytes will be read back	—	—	RW	0	—
5	BC4 - Writing to this register configures how many bytes will be read back	—	—	RW	0	—
6	Reserved	—	—	RW	0	—
7	Reserved	—	—	RW	0	—

TABLE 4-8: BYTE 8: SBI MASK (FUNCTIONAL ONLY WHEN SBEN = 1)

Bit	Description	If Bit = 0	If Bit = 1	Type	Default	Output(s) Affected
0	Mask0 - Masks off Side Band Disable	Side Band shift register may disable the output	Forces output to always be enabled regardless of Side Band shift register value	RW	0	CK[0]
1	Mask1 - Masks off Side Band Disable			RW	0	CK[1]
2	Mask2 - Masks off Side Band Disable			RW	0	CK[2]
3	Mask3 - Masks off Side Band Disable			RW	0	CK[3]
4	Mask4 - Masks off Side Band Disable			RW	0	CK[4]
5	Mask5 - Masks off Side Band Disable			RW	0	CK[5]
6	Mask6 - Masks off Side Band Disable			RW	0	CK[6]
7	Mask7 - Masks off Side Band Disable			RW	0	CK[7]

TABLE 4-9: BYTE 9: SBI MASK (FUNCTIONAL ONLY WHEN SBEN = 1)

Bit	Description	If Bit = 0	If Bit = 1	Type	Default	Output(s) Affected
0	Mask8 - Masks off Side Band Disable	Side Band shift register may disable the output	Forces output to always be enabled regardless of Side Band shift register value	RW	0	CK[8]
1	Mask9 - Masks off Side Band Disable			RW	0	CK[9]
2	Mask10 - Masks off Side Band Disable			RW	0	CK[10]
3	Mask11 - Masks off Side Band Disable			RW	0	CK[11]
4	Mask12 - Masks off Side Band Disable			RW	0	CK[12]
5	Mask13 - Masks off Side Band Disable			RW	0	CK[13]
6	Mask14 - Masks off Side Band Disable			RW	0	CK[14]
7	Mask15 - Masks off Side Band Disable			RW	0	CK[15]

TABLE 4-10: BYTE 10: SBI MASK (FUNCTIONAL ONLY WHEN SBEN = 1)

Bit	Description	If Bit = 0	If Bit = 1	Type	Default	Output(s) Affected
0	Mask16 - Masks off Side Band Disable	Side Band shift register may disable the output	Forces output to always be enabled regardless of Side Band shift register value	RW	0	CK[16]
1	Mask17 - Masks off Side Band Disable			RW	0	CK[17]
2	Mask18 - Masks off Side Band Disable			RW	0	CK[18]
3	Mask19 - Masks off Side Band Disable			RW	0	CK[19]
4	Reserved			RW	0	—
5	Reserved			RW	0	—
6	Reserved			RW	0	—
7	Reserved			RW	0	—

ZL40294

NOTES:

5.0 AC AND DC ELECTRICAL CHARACTERISTICS

5.1 Absolute Maximum Ratings

TABLE 5-1: ABSOLUTE MAXIMUM RATINGS*

Bit	Parameter	Symbol	Min.	Max.	Units	Notes
1	3.3V Core Supply Voltage	V_{DD_A}	—	4.6	V	Note 3
2	3.3V I/O Supply Voltage	V_{DD}	—	4.6	V	Note 3
5	3.3V Input High Voltage	V_{IH}	—	4.6	V	Note 1, Note 3
—	3.3V Input Low Voltage	V_{IL}	-0.5	—	V	Note 3
—	Storage Temperature	T_S	-65	150	°C	Note 3
6	Input ESD Protection	V_{DD-IN}	—	—	V	Note 2

* Exceeding these values may cause permanent damage.

* Functional operation under these conditions is not implied.

* Voltages are with respect to ground (GND) unless otherwise stated.

Note 1: Maximum V_{IH} is not to exceed maximum VDD.

2: Human body model.

3: Consult manufacturer regarding extended operation in excess of normal DC operating parameters.

5.2 DC Electrical Specification

TABLE 5-2: DC OPERATING CHARACTERISTICS*

Bit	Parameter	Symbol	Min.	Typ.	Max.	Units	Notes
1	3.3V Core Supply Voltage	V_{DD_A}	3.135	3.3	3.465	V	—
2	3.3V I/O Supply Voltage	V_{DD}	3.135	3.3	3.465	V	—
3	3.3V Input High Voltage	V_{IH}	2.0	—	VDD+0.3	V	—
4	3.3V Input Low Voltage	V_{IL}	VSS-0.3	—	0.8	V	—
5	Input Leakage Current	I_{IL}	-5	—	+5	µA	—
6	Input Low Voltage, 3-Level CMOS Input	V_{IL3}	VSS-0.3	—	0.9	V	Note 1
7	Input Midrange Voltage, 3-Level CMOS Input	V_{IM3}	1.3	—	1.8	V	Note 1
8	Input High Voltage, 3-Level CMOS Input	V_{IH3}	2.4	—	VDD	V	Note 1
9	Input Capacitance	C_{IN}	—	—	4.5	pF	Note 2
10	Output Capacitance	C_{OUT}	—	—	4.5	pF	Note 2
11	Ambient Temperature	T_A	-40	—	85	°C	—

* Voltages are with respect to ground (GND) unless otherwise stated.

Note 1: Spec assumption based on Intel DB1900Z specification revision 1.5 Table 3-2. $V_{IL3,min}$ changed from 0 to VSS-0.3 to match DB2000QL $V_{IL,min}$ spec.

2: For parasitic simulation, use IBIS model.

TABLE 5-3: DIFFERENTIAL DC OUTPUT CHARACTERISTICS*

Bit	Parameter	Symbol	Min.	Typ.	Max.	Units	Notes
1	Maximum Voltage (Over-shoot)	V_{OVS}	—	—	$V_{HIGH} + 75$	mV	Note 1
2	Maximum Voltage (Undershoot)	V_{UDS}	—	—	$V_{LOW} - 75$	mV	Note 1
3	Voltage High	V_{HIGH}	225	—	270	mV	Note 1
4	Voltage Low	V_{LOW}	10	—	150	mV	Note 1
5	Absolute Crossing Point Voltages	$V_{CROSS_ABSOLUTE}$	130	—	200	mV	Note 1
6	Relative Crossing Point Voltages	$V_{CROSS_RELATIVE}$	—	—	35	mV	Note 1
7	Output Buffer Differential Impedance	Z_{DIFF}	85 - 5%	—	85+5%	Ω	Note 2
8	Output Buffer Differential Impedance	$Z_{DIFF_CROSSING}$	85 - 20%	—	85+20%	Ω	Note 3

* Voltages are with respect to ground (GND) unless otherwise stated.

Note 1: Measured into DC test load, see Figure 5-1.

Note 2: Measured at VOL / VOH.

Note 3: Measured during a transition.

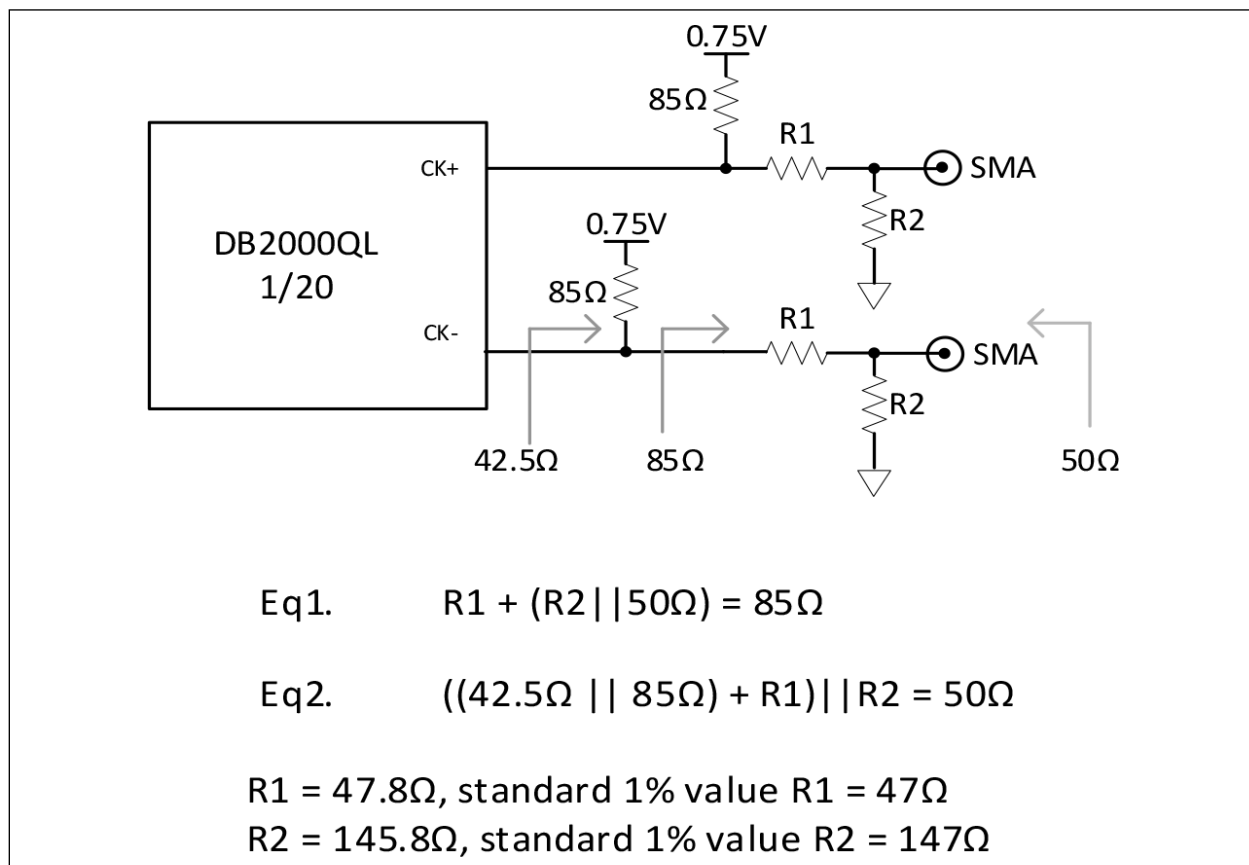


FIGURE 5-1: DC TEST LOAD (AS PER DB2000QL).

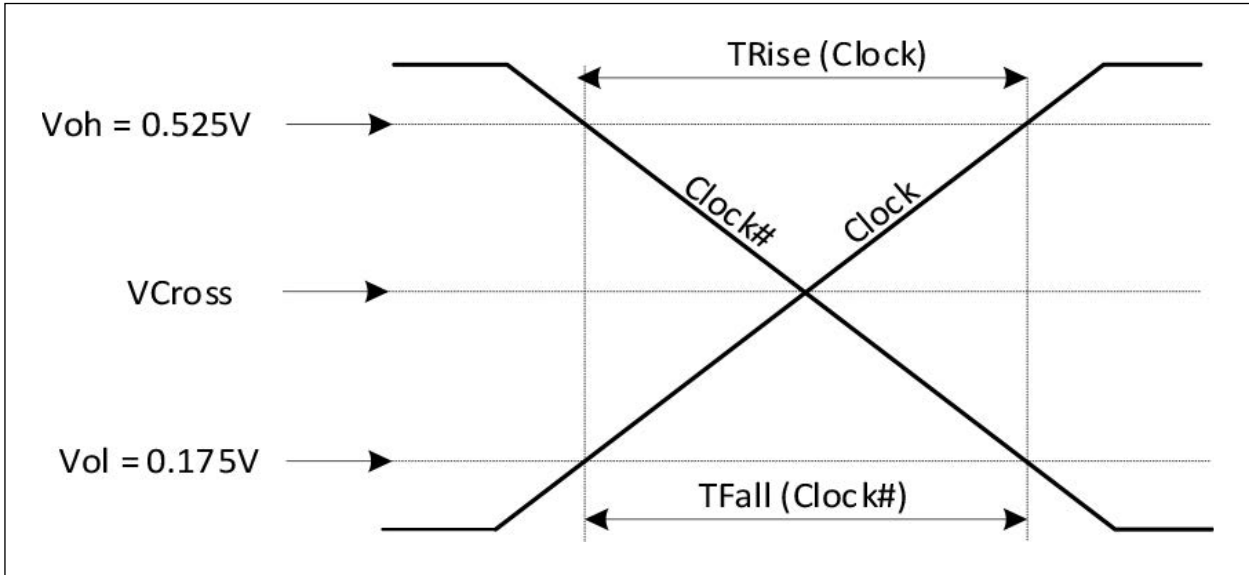


FIGURE 5-2: SINGLE-ENDED MEASUREMENT POINTS FOR T_{RISE} AND T_{FALL} .

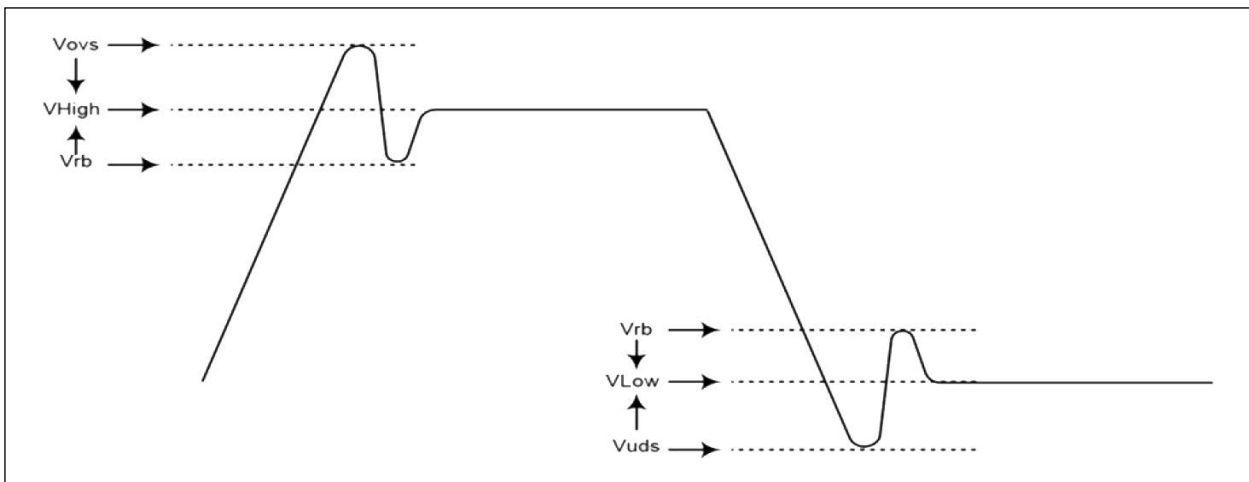


FIGURE 5-3: SINGLE-ENDED MEASUREMENT POINTS FOR V_{OVS} , V_{UDS} , V_{RB} .

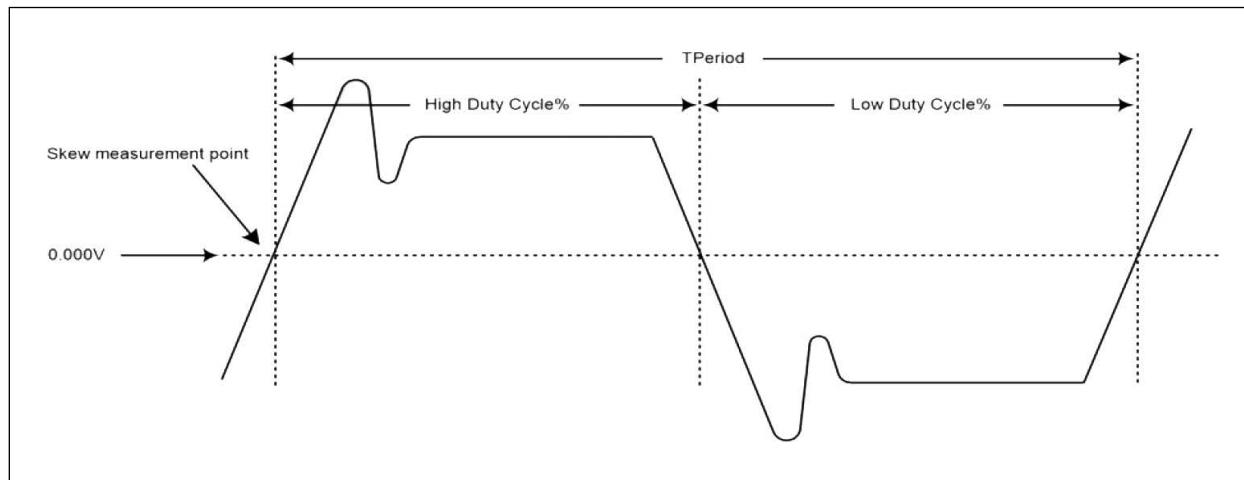


FIGURE 5-4: DIFFERENTIAL (CK, CK#) MEASUREMENT POINTS.

5.3 AC Electrical Specification

TABLE 5-4: POWER NOISE TOLERANCE*

	VDD Electrical Noise Range	Symbol	Min.	Typ.	Max.	Units	Notes
1	$f_{\text{NOISE}} = 12 \text{ kHz to } 20 \text{ MHz}$	$N_{\text{VDD_MID}}$	100	—	—	mV,p-p	Note 1, Note 2
2	$f_{\text{NOISE}} > 20 \text{ MHz}$	$N_{\text{VDD_HIGH}}$	50	—	—	mV,p-p	Note 1, Note 2
3	$f_{\text{NOISE}} = 12 \text{ kHz to } 20 \text{ MHz}$	$N_{\text{VDD_A_MID}}$	40	—	—	mV,p-p	Note 1, Note 2
4	$f_{\text{NOISE}} > 20 \text{ MHz}$	$N_{\text{VDD_A_HIGH}}$	20	—	—	mV,p-p	Note 1, Note 2

* The device meets all specification in the presence of noise specified in this table.

- Note 1:** Jitter and electrical characteristics are met with specified AC noise present on any of the power pins.
Note 2: Over the specified frequency range, a single sinusoid tone should be assumed swept as the worst case.

TABLE 5-5: SKEW AND JITTER

	Parameter	Symbol	Min.	Typ.	Max.	Units	Notes
1	Input-to-Output Delay	I/O_{DELAY}	1.1	1.3	1.5	ns	Note 1, Note 3
2	Input-to-Output Delay Variation as Temperature Changes from -40°C to $+85^{\circ}\text{C}$	$I/O_{\text{DELAY}}\Delta(T)$	0.13	0.14	0.15	ns	Note 1, Note 3
3	Output-to-Output Skew	O/O_{DELAY}	—	—	50	ps	Note 1, Note 2
4	RMS Additive Jitter as per DB2000QL Spec	AJ_{RMS}	—	14	17	fs RMS	Note 1, Note 2, Note 4
5	Peak-to-Peak Additive Jitter	$p\text{-}pAJ_{\text{RMS}}$	—	—	1	ps	Note 1, Note 2
6	Additive Jitter as per PCIe 1.0 (1.5 MHz to 22 MHz)	$T_{\text{JPCIe_1.0}}$	—	0.73	0.90	ps pp	Note 1, Note 2
7	Additive Jitter as per PCIe 2.0 high band (1.5 MHz to 50 MHz)	$T_{\text{JPCIe_2.0_high}}$	—	82	100	fs RMS	Note 1, Note 2

- Note 1:** Measured into AC test load as per Figure 5-5.
Note 2: Measured from differential crossing point to differential crossing point.
Note 3: Input-to-output specs refer to the timing between an input edge and the specific output edge created by it.
Note 4: Integrated after the measurement filter. See Intel DB2000QL specification Jitter Measurement section for the measurement filter details.

TABLE 5-5: SKEW AND JITTER (CONTINUED)

	Parameter	Symbol	Min.	Typ.	Max.	Units	Notes
8	Additive Jitter as per PCIe 2.0 low band (10 kHz to 1.5 MHz)	$T_{j\text{PCIe}_2.0_low}$	—	20	30	fs RMS	Note 1, Note 2
9	Additive Jitter as per PCIe 2.0 low band (5 MHz to 16 MHz)	$T_{j\text{PCIe}_2.0_mid}$	—	64	79	fs RMS	Note 1, Note 2
10	Additive Jitter as per PCIe 3.0 (PLL_BW = 2 MHz to 5 MHz, CDR = 10 MHz)	$T_{j\text{PCIe}_3.0}$	—	20	25	fs RMS	Note 1, Note 2
11	Additive Jitter as per PCIe 4.0 (PLL_BW = 2 MHz to 5 MHz, CDR = 10 MHz)	$T_{j\text{PCIe}_4.0}$	—	20	25	fs RMS	Note 1, Note 2
12	Additive Jitter as per PCIe 5.0 (PLL_BW = 0.5 MHz to 1.8 MHz, CDR for 32 GT/s CC)	$T_{j\text{PCIe}_5.0}$	—	8	10	fs RMS	Note 1, Note 2
13	Additive Jitter as per PCIe 6.0 (PLL_BW = 0.5 MHz to 1.0 MHz, CDR for 64 GT/s CC)	$T_{j\text{PCIe}_6.0}$	—	5	6.5	fs RMS	Note 1, Note 2
14	Additive Jitter as per Intel QPI 9.6 Gbps	$T_{j\text{QPI}}$	—	29	36	fs RMS	Note 1, Note 2
15	Additive RMS Jitter in 1 MHz to 20 MHz band	$T_{j_1M_20M}$	—	55	67	fs RMS	Note 1, Note 2 (100 MHz clock)
			—	42	51	fs RMS	Note 1, Note 2 (133 MHz clock)
16	Additive RMS Jitter in 12 kHz to 20 MHz band	$T_{j_12k_20M}$	—	58	71	fs RMS	Note 1, Note 2 (100 MHz clock)
			—	44	67	fs RMS	Note 1, Note 2 (133 MHz clock)
17	Noise Floor	N_F	—	-163	-162	dBc/Hz	Note 1, Note 2 (100 MHz clock)
			—	-163	-162	dBc/Hz	Note 1, Note 2 (133 MHz clock)

- Note 1:** Measured into AC test load as per Figure 5-5.
Note 2: Measured from differential crossing point to differential crossing point.
Note 3: Input-to-output specs refer to the timing between an input edge and the specific output edge created by it.
Note 4: Integrated after the measurement filter. See Intel DB2000QL specification Jitter Measurement section for the measurement filter details.

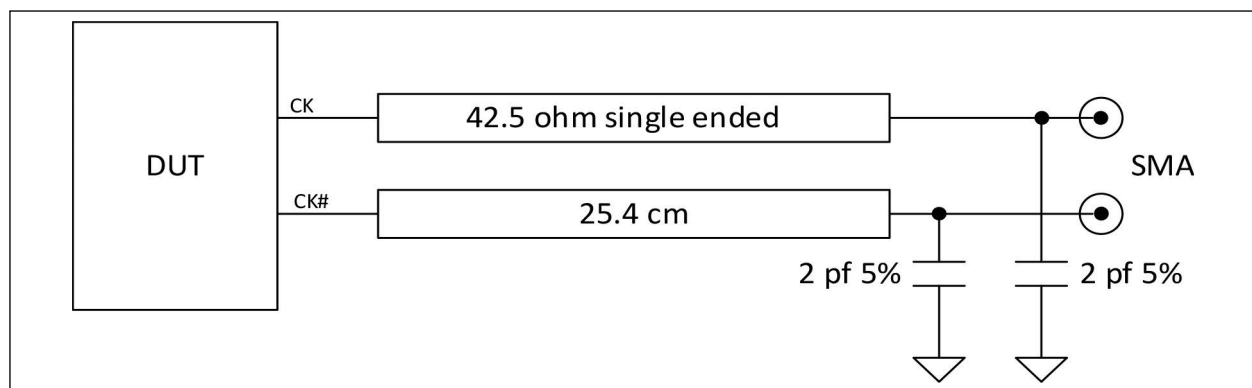


FIGURE 5-5: AC TEST LOAD AS PER DB2000QL SPECIFICATIONS.

TABLE 5-6: DIFFERENTIAL OUTPUT CLOCK AC CHARACTERISTICS

	Parameter	Symbol	Min.	Typ.	Max.	Units	Notes
1	Clock Stabilization Time from PWRGD	T _{STAB}	—	—	1.8	ms	Note 1
2	Edge Rate at V _{CROSS}	EDGE_RATE	2	—	20	V/ns	Note 1
3	Slew Rate at V _{CROSS}	RISE_MATCHING/ FALL_MATCHING	—	—	20%	V	Note 1

Note 1: Measured into Figure 5-5 AC test load.

TABLE 5-7: DIFFERENTIAL INPUT CLOCK AC CHARACTERISTICS

	Parameter	Symbol	Min.	Typ.	Max.	Units
1	Edge Rate	Input_Slew_Rate	0.7	—	—	V/ns
2	Total Variation of V _{CROSS} over All Edges	Total_Δ_Vcross	—	—	140	mV
3	Input Voltage	Input_Voltage	200	—	—	mv diff

TABLE 5-8: CURRENT CONSUMPTION

	Parameter	Parameter Condition	Symbol	Min.	Typ.	Max.	Units	Notes
1	Active Mode Supply Current	f _{IN} = 100 MHz, All CKx/ CKx# outputs enabled	I _{DDPG}	—	205	240	mA	Note 1, Note 2
2		f _{IN} = 100 MHz, All CKx/ CKx# outputs disabled		—	48	55		Note 1, Note 3
3		f _{IN} = 133 MHz, All CKx/ CKx# outputs enabled		—	257	308		Note 1, Note 2
4		f _{IN} = 133 MHz, All CKx/ CKx# outputs disabled		—	49	56		Note 1, Note 3
5	Power Down Mode Supply Current	f _{IN} = 100 MHz	I _{DDPD}	—	21	25	mA	Note 1, Note 4
6		f _{IN} = 133 MHz		—	22	26		Note 1, Note 4

Note 1: VDD = 3.3V + 5%.

2: Device operating in active mode (Pin PWRGD/PWRDN# = 1) with all 20 CKx/CKx# outputs enabled (all OE_xN pin = 0, all OCR1, OCR2, OCR3 register OEx bits = 1).

3: Device operating in active mode (Pin PWRGD/PWRDN# = 1) with all 20 CKx/CKx# outputs disabled (all OCR1, OCR2, OCR3 register OEx bits = 0).

4: Device operating in low power mode (Pin PWRGD/PWRDN# = 0).

TABLE 5-9: SMBUS ELECTRICAL CHARACTERISTICS

	Parameter	Symbol	Min.	Typ.	Max.	Units	Notes
1	Nominal Bus Voltage	V _{DD(SMB)}	2.7	—	5.5	V	1
2	Input Low Voltage	V _{IL}	—	—	0.8	V	—
3	Input High Voltage	V _{IH}	2.1	—	V _{DD(SMB)}	V	—
4	Output Low Voltage	V _{OL}	—	—	0.4	V	At I _{PULLUP(MAX)}

Note 1: 3V to 5V ±10%.

2: Rise and fall time is defined as follows: TR = (V_{IL(MAX)} - 0.15) to (V_{IH(MIN)} + 0.15), TF = (V_{IH(MIN)} + 0.15) to (V_{IL(MAX)} - 0.15).

3: Devices must provide a means to reject noise spikes of a duration up to the maximum specified value.

TABLE 5-9: SMBUS ELECTRICAL CHARACTERISTICS (CONTINUED)

	Parameter	Symbol	Min.	Typ.	Max.	Units	Notes
5	Input Leakage Current	I_{LEAK}	—	—	± 10	μA	—
6	Current Sinking at $V_{OL(MAX)}$	I_{PULLUP}	4	—	—	mA	—
7	Pin Capacitive Load	C_I	—	—	10	pF	—
8	Signal Noise Immunity from 10 MHz to 100 MHz	V_{NOISE}	300	—	—	mV _{p-p}	—
9	Noise Spike Suppression Time	T_{SPIKE}	0	—	50	ns	3
10	SMBus Operating Frequency	F_{SMB}	10	—	400	kHz	—
11	Bus Free Time Between Stop and Start Condition	T_{BUF}	4.7	—	—	μs	—
12	Hold Time After (Repeated) Start Condition	T_{HD-STA}	4.0	—	—	μs	After this period, the first clock is generated.
13	Repeated Start Condition Setup Time	T_{SU-STA}	4.7	—	—	μs	—
14	Stop Condition Setup Time	T_{SU-STO}	4.0	—	—	μs	—
15	Data Hold Time	T_{HD-DAT}	300	—	—	ns	—
16	Data Setup Time	T_{SU-DAT}	250	—	—	ns	—
17	Clock Low Period	T_{LOW}	4.7	—	—	μs	—
18	Clock High Period	T_{HIGH}	4.0	—	50	μs	—
19	Clock/Data Fall Time	T_F	—	—	300	ns	2
20	Clock/Data Rise Time	T_R	—	—	1000	ns	2

- Note 1:** 3V to 5V $\pm 10\%$.
- 2:** Rise and fall time is defined as follows: $T_R = (V_{IL(MAX)} - 0.15)$ to $(V_{IH(MIN)} + 0.15)$, $T_F = (V_{IH(MIN)} + 0.15)$ to $(V_{IL(MAX)} - 0.15)$.
- 3:** Devices must provide a means to reject noise spikes of a duration up to the maximum specified value.

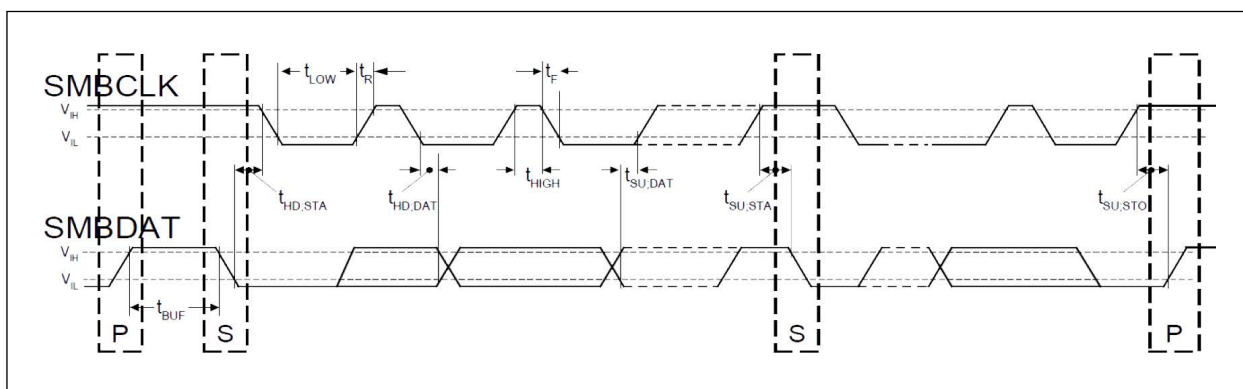


FIGURE 5-6: SMBUS TIMING.

5.4 Side-Band Interface Characteristics

TABLE 5-10: SIDE-BAND INTERFACE

	Parameter	Symbol	Min.	Typ.	Max.	Units	Notes
1	Clock Period	t_{PERIOD}	40	—	—	ns	—
2	vSHFT_LD# setup to vCLK rising edge	t_{SETUP}	15	—	—	ns	—
3	vDATA setup to vCLK rising edge	t_{DSU}	10	—	—	ns	—
4	vDATA hold after vCLK rising edge	t_{DSHOLD}	5	—	—	ns	—
5	Delay from vCLK rising edge to vSHFT_LD# falling edge	t_{DELAY}	15	—	—	ns	—
6	Delay from vSHFT_LD# falling edge to next output configuration taking effect	t_{PD}	4	—	10	clocks	Note 1
7	Slew Rate	t_{SLEW}	0.5	—	—	V/ns	—

Note 1: Refers to device differential input clock.

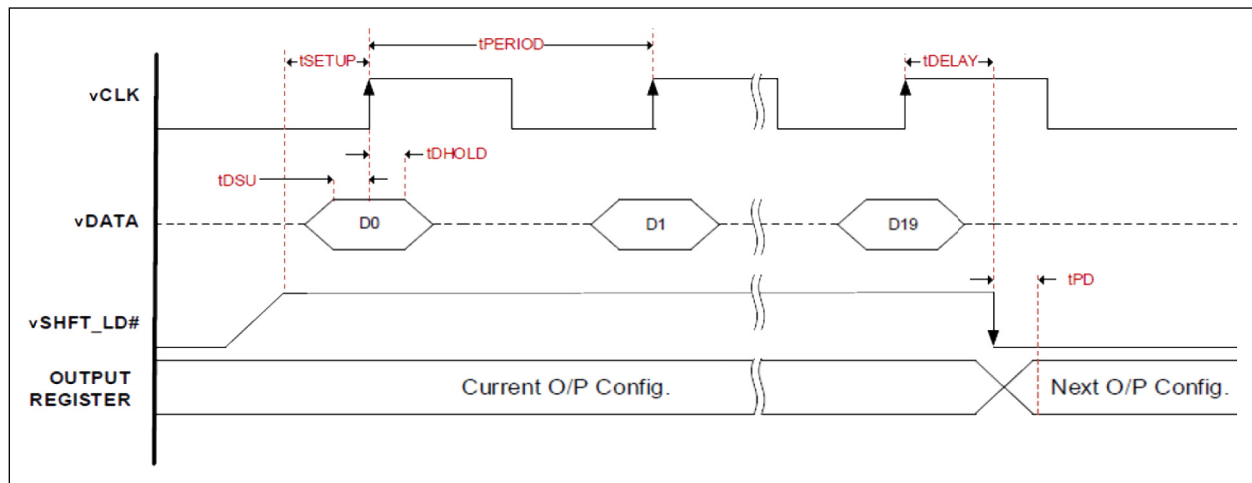


FIGURE 5-7: SIDE-BAND INTERFACE TIMING.

TABLE 5-11: 6 MM × 6 MM GQFN PACKAGE THERMAL PROPERTIES

Parameter	Symbol	Conditions	Value	Units
Maximum Ambient Temperature	T_A	—	85	°C
Maximum Junction Temperature	$T_{J(MAX)}$	—	125	°C
Junction to Ambient Thermal Resistance (Note 1)	θ_{JA}	Still air	32.42	°C/W
		1 m/s airflow	27.67	
		2.5 m/s airflow	26.33	
Junction to Board Thermal Resistance	θ_{JB}	—	12.48	°C/W
Junction to Case Thermal Resistance	θ_{JC}	—	21.33	°C/W
Junction to Pad Thermal Resistance (Note 2)	θ_{JT}	Still air	1.83	°C/W
Junction to Top-Center Thermal Characterization Parameter	ψ_{JT}	Still air	0.25	°C/W

Note 1: Theta-JA (θ_{JA}) is the thermal resistance from junction to ambient when the package is mounted on a 4-layer JEDEC standard test board and dissipating maximum power

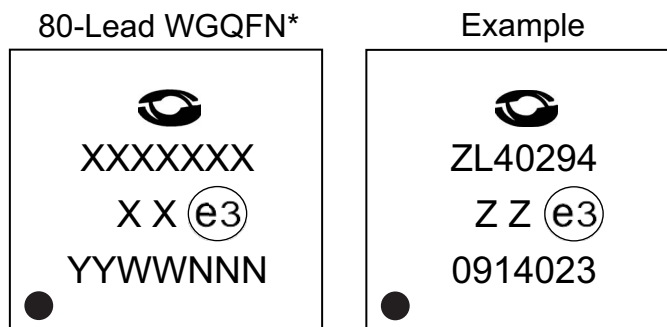
2: Theta-JP (θ_{JP}) is the thermal resistance from junction to the center exposed pad on the bottom of the package)

ZL40294

NOTES:

6.0 PACKAGING INFORMATION

6.1 Package Marking Information



Legend:	XX...X	Product code or customer-specific information
	Y	Year code (last digit of calendar year)
	YY	Year code (last 2 digits of calendar year)
	WW	Week code (week of January 1 is week '01')
	NNN	Alphanumeric traceability code
	(e3)	Pb-free JEDEC® designator for Matte Tin (Sn)
	*	This package is Pb-free. The Pb-free JEDEC designat(e3) can be found on the outer packaging for this package.
	•, ▲, ▼	Pin one index is identified by a dot, delta up, or delta down (triangle mark).
Note:	In the event the full Microchip part number cannot be marked on one line, it will be carried over to the next line, thus limiting the number of available characters for customer-specific information. Package may or may not include the corporate logo.	
	Underbar (¯) and/or Overbar (˘) symbol may not be to scale.	

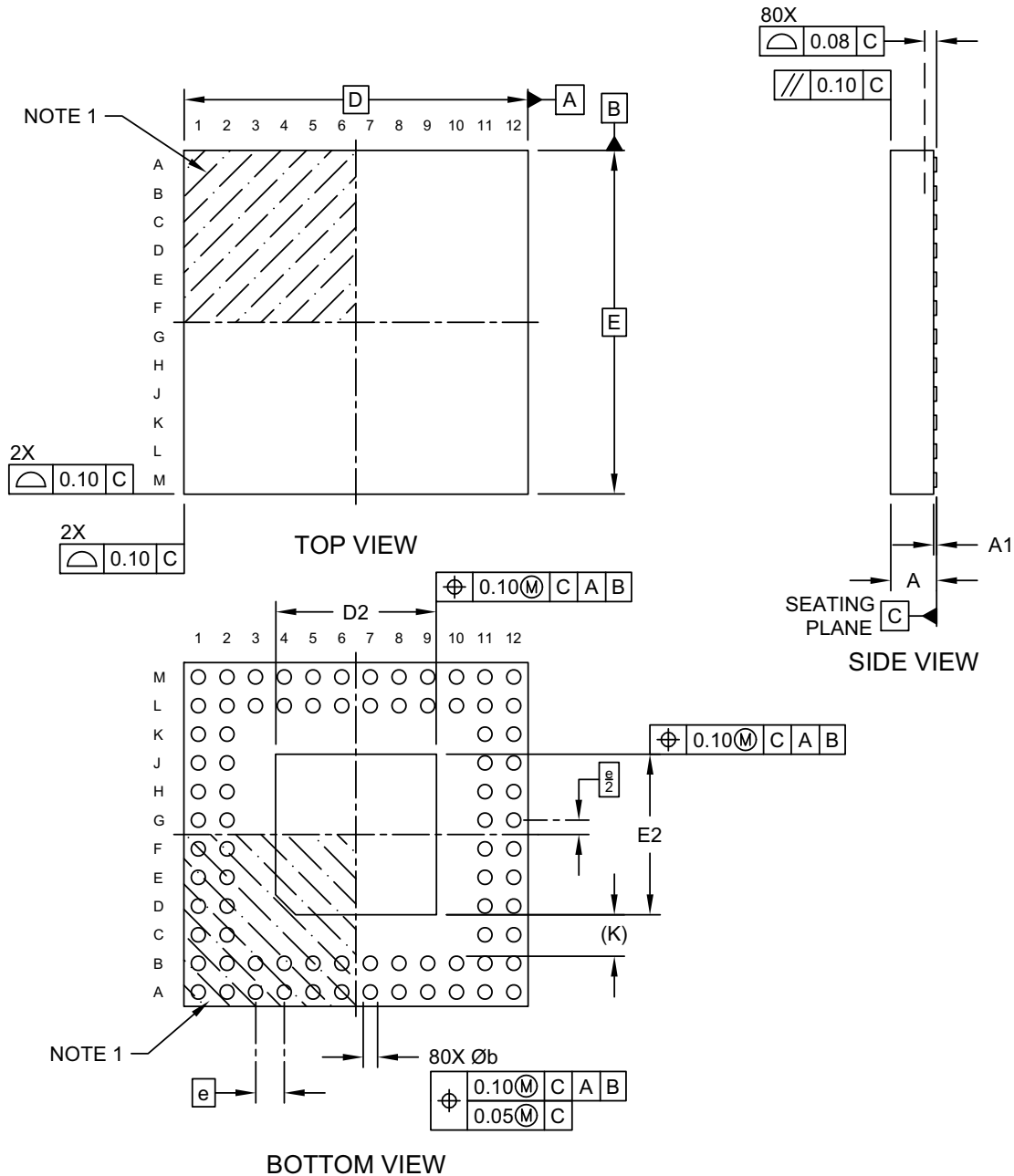
Note: If the full seven-character YYWWNNN code cannot fit on the package, the following truncated codes are used based on the available marking space: 6 Characters = YYWWNNN; 5 Characters = WWNNN; 4 Characters = WNNN; 3 Characters = NNN; 2 Characters = NN; 1 Character = N

ZL40294

7.0 PACKAGE OUTLINE

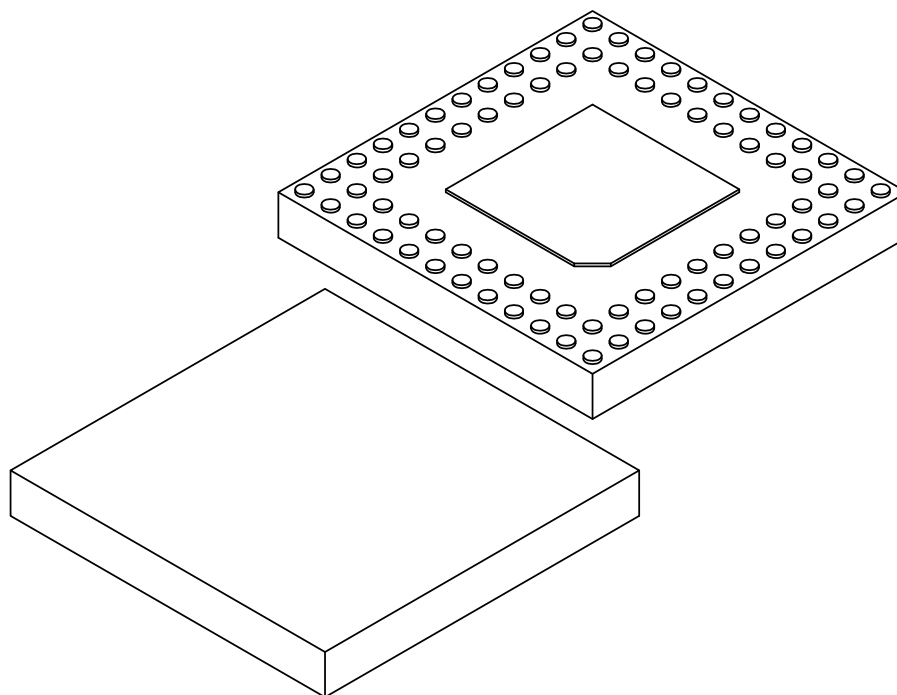
80-Lead 6 mm x 6 mm WGQFN Package Outline and Recommended Land Pattern

Note: For the most current package drawings, please see the Microchip Packaging Specification located at <https://www.microchip.com/packaging/>



Microchip Technology Drawing C04-25442 Rev A Sheet 1 of 2

Note: For the most current package drawings, please see the Microchip Packaging Specification located at <https://www.microchip.com/packaging/>



		Units	MILLIMETERS		
Dimension Limits			MIN	NOM	MAX
Number of Terminals	N		80		
Pitch	e		0.50 BSC		
Overall Height	A		0.70	0.75	0.80
Standoff	A1		0.00	0.02	0.05
Overall Length	D		6.00 BSC		
Exposed Pad Length	D2		2.70	2.80	2.90
Overall Width	E		6.00 BSC		
Exposed Pad Width	E2		2.70	2.80	2.90
Terminal Width	b		0.20	0.25	0.30
Terminal-to-Exposed-Pad	K		0.725 REF		

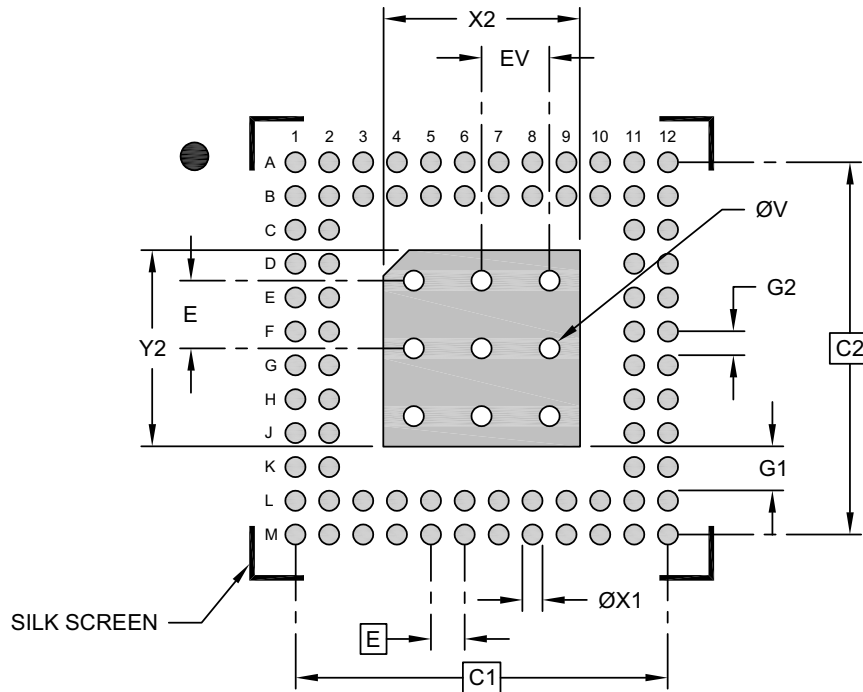
Notes:

- Terminal A1 visual index feature may vary, but must be located within the hatched area.
 - Package is saw singulated
 - Package Type WGQFN is not registered with JEDEC as of April, 2019
- Dimensioning and tolerancing per ASME Y14.5M
 BSC: Basic Dimension. Theoretically exact value shown without tolerances.
 REF: Reference Dimension, usually without tolerance, for information purposes only.

Microchip Technology Drawing C04-25442 Rev A Sheet 2 of 2

ZL40294

Note: For the most current package drawings, please see the Microchip Packaging Specification located at <https://www.microchip.com/packaging/>



RECOMMENDED LAND PATTERN

Dimension Limits	Units	MILLIMETERS		
		MIN	NOM	MAX
Contact Pitch	E	0.50 BSC		
Optional Center Pad Width	X2			2.90
Optional Center Pad Length	Y2			2.90
Contact Pad Spacing	C1	5.50 BSC		
Contact Pad Spacing	C2	5.50 BSC		
Contact Pad Diameter (X80)	X1			0.30
Contact Pad to Center Pad (X32)	G1	0.65		
Contact Pad to Contact Pad	G2	0.20		
Thermal Via Diameter	V		0.30	
Thermal Via Pitch	EV		1.00	

Notes:

1. Dimensioning and tolerancing per ASME Y14.5M
BSC: Basic Dimension. Theoretically exact value shown without tolerances.
2. For best soldering results, thermal vias, if used, should be filled or tented to avoid solder loss during reflow process

Microchip Technology Drawing C04-27442 Rev A

8.0 ACRONYMS AND ABBREVIATIONS

APLL	analog phase locked loop
CML	current mode logic
GbE	gigabit Ethernet
HCSL	high-speed current steering logic
HSTL	high-speed transceiver logic
I/O	input/output
LOS	loss of signal
LVDS	low-voltage differential signal
LVPECL	low-voltage positive emitter-coupled logic
PFD	phase/frequency detector
PLL	phase locked loop
ppb	parts per billion
ppm	parts per million
pk-pk	peak-to-peak
RMS	root-mean-square
RO	read-only
R/W	read/write
SS or SSM	spread spectrum modulation
TCXO	temperature-compensated crystal oscillator
UI	unit interval
UI _{PP} or UI _{P,P}	unit interval, peak to peak
XO	crystal oscillator

ZL40294

APPENDIX A: DATA SHEET REVISION HISTORY

TABLE A-1: REVISION HISTORY

Revision	Section/Figure/Entry	Correction
DS20006768A (02-09-23)	—	Converted Microsemi data sheet ZL40294 to Microchip DS20006768A. Minor text changes throughout.
DS20006768B (05-12-23)	—	Added PCIe 6.0 compliance to data sheet. Corrected detail in Table 5-10.

APPENDIX B: PRODUCT IDENTIFICATION SYSTEM

To order or obtain information, e.g., on pricing or delivery, refer to the factory or the listed sales office.

<u>Device</u>	<u>X</u>	<u>X</u>	<u>X</u>	<u>X</u>
Part Number	Chip Carrier Type	Package	Media Type	Finish
Device:	ZL40294: 20-Output DB2000QL Buffer with Ultra-Low Additive Jitter			
Chip Carrier Type:	L = Leadless Chip Carrier			
Package:	D = 80-Lead 6 mm × 6 mm WQFN			
Media Type:	G = 490/Tray F = 4000/Reel			
Finish:	6 = Pb-Free			
Examples:				
a) ZL40294LDG6: ZL40294, 20-Output DB2000QL Buffer with Ultra-Low Additive Jitter, Leadless Chip Carrier, 80-Lead WQFN, 490/Tray, Pb-Free				
b) ZL40294LDF6: ZL40294, 20-Output DB2000QL Buffer with Ultra-Low Additive Jitter, Leadless Chip Carrier, 80-Lead WQFN, 4000/Reel, Pb-Free				
Note 1: Tape and Reel identifier only appears in the catalog part number description. This identifier is used for ordering purposes and is not printed on the device package. Check with your Microchip Sales Office for package availability with the Tape and Reel option.				

ZL40294

NOTES:

Note the following details of the code protection feature on Microchip products:

- Microchip products meet the specifications contained in their particular Microchip Data Sheet.
- Microchip believes that its family of products is secure when used in the intended manner, within operating specifications, and under normal conditions.
- Microchip values and aggressively protects its intellectual property rights. Attempts to breach the code protection features of Microchip product is strictly prohibited and may violate the Digital Millennium Copyright Act.
- Neither Microchip nor any other semiconductor manufacturer can guarantee the security of its code. Code protection does not mean that we are guaranteeing the product is "unbreakable" Code protection is constantly evolving. Microchip is committed to continuously improving the code protection features of our products.

This publication and the information herein may be used only with Microchip products, including to design, test, and integrate Microchip products with your application. Use of this information in any other manner violates these terms. Information regarding device applications is provided only for your convenience and may be superseded by updates. It is your responsibility to ensure that your application meets with your specifications. Contact your local Microchip sales office for additional support or, obtain additional support at <https://www.microchip.com/en-us/support/design-help/client-support-services>.

THIS INFORMATION IS PROVIDED BY MICROCHIP "AS IS". MICROCHIP MAKES NO REPRESENTATIONS OR WARRANTIES OF ANY KIND WHETHER EXPRESS OR IMPLIED, WRITTEN OR ORAL, STATUTORY OR OTHERWISE, RELATED TO THE INFORMATION INCLUDING BUT NOT LIMITED TO ANY IMPLIED WARRANTIES OF NON-INFRINGEMENT, MERCHANTABILITY, AND FITNESS FOR A PARTICULAR PURPOSE, OR WARRANTIES RELATED TO ITS CONDITION, QUALITY, OR PERFORMANCE.

IN NO EVENT WILL MICROCHIP BE LIABLE FOR ANY INDIRECT, SPECIAL, PUNITIVE, INCIDENTAL, OR CONSEQUENTIAL LOSS, DAMAGE, COST, OR EXPENSE OF ANY KIND WHATSOEVER RELATED TO THE INFORMATION OR ITS USE, HOWEVER CAUSED, EVEN IF MICROCHIP HAS BEEN ADVISED OF THE POSSIBILITY OR THE DAMAGES ARE FORESEEABLE. TO THE FULLEST EXTENT ALLOWED BY LAW, MICROCHIP'S TOTAL LIABILITY ON ALL CLAIMS IN ANY WAY RELATED TO THE INFORMATION OR ITS USE WILL NOT EXCEED THE AMOUNT OF FEES, IF ANY, THAT YOU HAVE PAID DIRECTLY TO MICROCHIP FOR THE INFORMATION.

Use of Microchip devices in life support and/or safety applications is entirely at the buyer's risk, and the buyer agrees to defend, indemnify and hold harmless Microchip from any and all damages, claims, suits, or expenses resulting from such use. No licenses are conveyed, implicitly or otherwise, under any Microchip intellectual property rights unless otherwise stated.

For information regarding Microchip's Quality Management Systems, please visit www.microchip.com/quality.

Trademarks

The Microchip name and logo, the Microchip logo, Adaptec, AVR, AVR logo, AVR Freaks, BesTime, BitCloud, CryptoMemory, CryptoRF, dsPIC, flexPWR, HELDO, IGLoo, JukeBlox, KeeLoq, Klear, LANCheck, LinkMD, maXStylus, maXTouch, MediaLB, megaAVR, Microsemi, Microsemi logo, MOST, MOST logo, MPLAB, OptoLyzer, PIC, picoPower, PICSTART, PIC32 logo, PolarFire, Prochip Designer, QTouch, SAM-BA, SenGenuity, SpyNIC, SST, SST Logo, SuperFlash, Symmetricom, SyncServer, Tachyon, TimeSource, tinyAVR, UNI/O, Vectron, and XMEGA are registered trademarks of Microchip Technology Incorporated in the U.S.A. and other countries.

AgileSwitch, APT, ClockWorks, The Embedded Control Solutions Company, EtherSynch, Flashtec, Hyper Speed Control, HyperLight Load, Libero, motorBench, mTouch, Powermite 3, Precision Edge, ProASIC, ProASIC Plus, ProASIC Plus logo, Quiet-Wire, SmartFusion, SyncWorld, Temux, TimeCesium, TimeHub, TimePictra, TimeProvider, TrueTime, and ZL are registered trademarks of Microchip Technology Incorporated in the U.S.A.

Adjacent Key Suppression, AKS, Analog-for-the-Digital Age, Any Capacitor, AnyIn, AnyOut, Augmented Switching, BlueSky, BodyCom, Clockstudio, CodeGuard, CryptoAuthentication, CryptoAutomotive, CryptoCompanion, CryptoController, dsPICDEM, dsPICDEM.net, Dynamic Average Matching, DAM, ECAN, Espresso T1S, EtherGREEN, GridTime, IdealBridge, In-Circuit Serial Programming, ICSP, INICnet, Intelligent Paralleling, IntelliMOS, Inter-Chip Connectivity, JitterBlocker, Knob-on-Display, KoD, maxCrypto, maxView, memBrain, Mindi, MiWi, MPASM, MPF, MPLAB Certified logo, MPLIB, MPLINK, MultiTRAK, NetDetach, Omniscient Code Generation, PICDEM, PICDEM.net, PICkit, PICtail, PowerSmart, PureSilicon, QMatrix, REAL ICE, Ripple Blocker, RTAX, RTG4, SAM-ICE, Serial Quad I/O, simpleMAP, SimpliPHY, SmartBuffer, SmartHLS, SMART-I.S., storClad, SQI, SuperSwitcher, SuperSwitcher II, Switchtec, SynchroPHY, Total Endurance, Trusted Time, TSHARC, USBCheck, VariSense, VectorBlox, VeriPHY, ViewSpan, WiperLock, XpressConnect, and ZENA are trademarks of Microchip Technology Incorporated in the U.S.A. and other countries.

SQTP is a service mark of Microchip Technology Incorporated in the U.S.A.

The Adaptec logo, Frequency on Demand, Silicon Storage Technology, and Symmcom are registered trademarks of Microchip Technology Inc. in other countries.

GestIC is a registered trademark of Microchip Technology Germany II GmbH & Co. KG, a subsidiary of Microchip Technology Inc., in other countries.

All other trademarks mentioned herein are property of their respective companies.

© 2023, Microchip Technology Incorporated and its subsidiaries.

All Rights Reserved.

ISBN: 978-1-6683-2472-1



MICROCHIP

Worldwide Sales and Service

AMERICAS

Corporate Office

2355 West Chandler Blvd.

Chandler, AZ 85224-6199

Tel: 480-792-7200

Fax: 480-792-7277

Technical Support:

<http://www.microchip.com/support>

Web Address:

www.microchip.com

Atlanta

Duluth, GA

Tel: 678-957-9614

Fax: 678-957-1455

Austin, TX

Tel: 512-257-3370

Boston

Westborough, MA

Tel: 774-760-0087

Fax: 774-760-0088

Chicago

Itasca, IL

Tel: 630-285-0071

Fax: 630-285-0075

Dallas

Addison, TX

Tel: 972-818-7423

Fax: 972-818-2924

Detroit

Novi, MI

Tel: 248-848-4000

Houston, TX

Tel: 281-894-5983

Indianapolis

Noblesville, IN

Tel: 317-773-8323

Fax: 317-773-5453

Tel: 317-536-2380

Los Angeles

Mission Viejo, CA

Tel: 949-462-9523

Fax: 949-462-9608

Tel: 951-273-7800

Raleigh, NC

Tel: 919-844-7510

New York, NY

Tel: 631-435-6000

San Jose, CA

Tel: 408-735-9110

Tel: 408-436-4270

Canada - Toronto

Tel: 905-695-1980

Fax: 905-695-2078

ASIA/PACIFIC

Australia - Sydney

Tel: 61-2-9868-6733

China - Beijing

Tel: 86-10-8569-7000

China - Chengdu

Tel: 86-28-8665-5511

China - Chongqing

Tel: 86-23-8980-9588

China - Dongguan

Tel: 86-769-8702-9880

China - Guangzhou

Tel: 86-20-8755-8029

China - Hangzhou

Tel: 86-571-8792-8115

China - Hong Kong SAR

Tel: 852-2943-5100

China - Nanjing

Tel: 86-25-8473-2460

China - Qingdao

Tel: 86-532-8502-7355

China - Shanghai

Tel: 86-21-3326-8000

China - Shenyang

Tel: 86-24-2334-2829

China - Shenzhen

Tel: 86-755-8864-2200

China - Suzhou

Tel: 86-186-6233-1526

China - Wuhan

Tel: 86-27-5980-5300

China - Xian

Tel: 86-29-8833-7252

China - Xiamen

Tel: 86-592-2388138

China - Zhuhai

Tel: 86-756-3210040

ASIA/PACIFIC

India - Bangalore

Tel: 91-80-3090-4444

India - New Delhi

Tel: 91-11-4160-8631

India - Pune

Tel: 91-20-4121-0141

Japan - Osaka

Tel: 81-6-6152-7160

Japan - Tokyo

Tel: 81-3-6880-3770

Korea - Daegu

Tel: 82-53-744-4301

Korea - Seoul

Tel: 82-2-554-7200

Malaysia - Kuala Lumpur

Tel: 60-3-7651-7906

Malaysia - Penang

Tel: 60-4-227-8870

Philippines - Manila

Tel: 63-2-634-9065

Singapore

Tel: 65-6334-8870

Taiwan - Hsin Chu

Tel: 886-3-577-8366

Taiwan - Kaohsiung

Tel: 886-7-213-7830

Taiwan - Taipei

Tel: 886-2-2508-8600

Thailand - Bangkok

Tel: 66-2-694-1351

Vietnam - Ho Chi Minh

Tel: 84-28-5448-2100

EUROPE

Austria - Wels

Tel: 43-7242-2244-39

Fax: 43-7242-2244-393

Denmark - Copenhagen

Tel: 45-4485-5910

Fax: 45-4485-2829

Finland - Espoo

Tel: 358-9-4520-820

France - Paris

Tel: 33-1-69-53-63-20

Fax: 33-1-69-30-90-79

Germany - Garching

Tel: 49-8931-9700

Germany - Haan

Tel: 49-2129-3766400

Germany - Heilbronn

Tel: 49-7131-72400

Germany - Karlsruhe

Tel: 49-721-625370

Germany - Munich

Tel: 49-89-627-144-0

Fax: 49-89-627-144-44

Germany - Rosenheim

Tel: 49-8031-354-560

Israel - Ra'anana

Tel: 972-9-744-7705

Italy - Milan

Tel: 39-0331-742611

Fax: 39-0331-466781

Italy - Padova

Tel: 39-049-7625286

Netherlands - Drunen

Tel: 31-416-690399

Fax: 31-416-690340

Norway - Trondheim

Tel: 47-7288-4388

Poland - Warsaw

Tel: 48-22-3325737

Romania - Bucharest

Tel: 40-21-407-87-50

Spain - Madrid

Tel: 34-91-708-08-90

Fax: 34-91-708-08-91

Sweden - Gothenberg

Tel: 46-31-704-60-40

Sweden - Stockholm

Tel: 46-8-5090-4654

UK - Wokingham

Tel: 44-118-921-5800

Fax: 44-118-921-5820