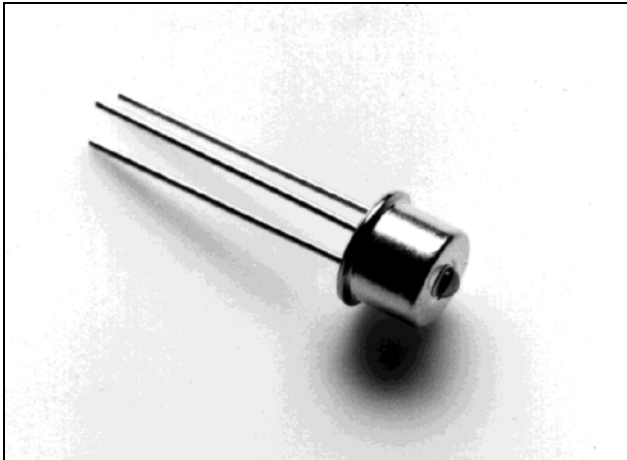


May 2004



### Ordering Information

ZL60212TBD	TO-46 Package with lens
ZL60212TDD	ST Housing
ZL60212TGD	SMA Housing

**-55°C to +125°C**

### Description

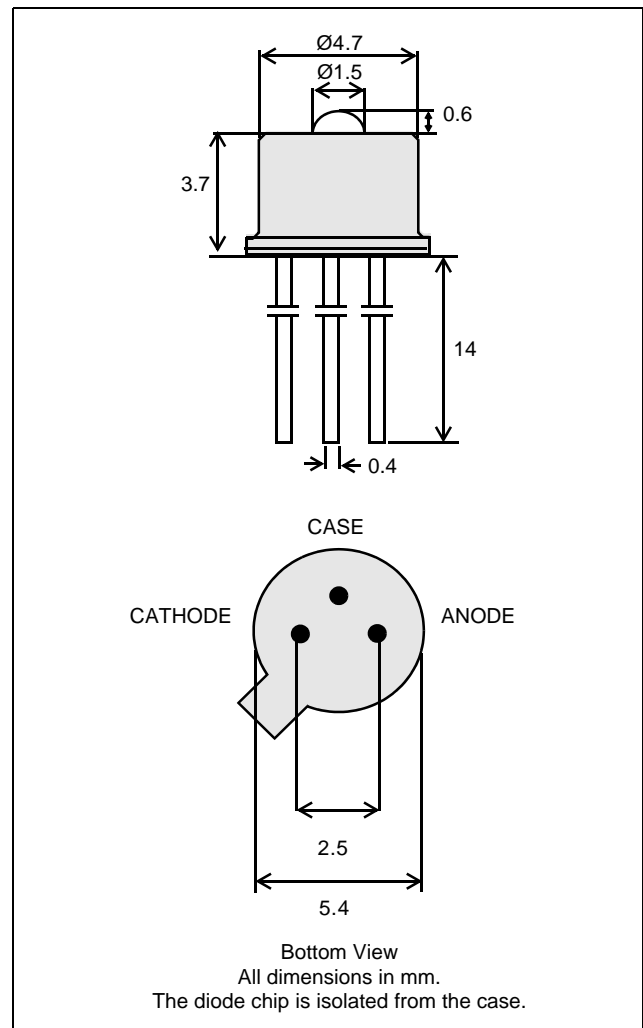
This single-chip device operates as both an Emitter and Detector, and transmits data over a single fiber in half-duplex mode; therefore, reducing both fiber and component costs when compared with traditional approaches.

### Features

- Half Duplex over single fiber
- Single chip solution
- High speed
- Industrial temperature range
- Typical Rated Fiber couple power of 120  $\mu$ W

### Applications

- Industrial control systems
- Long reach RS232
- Security systems
- Single fiber Datacom



**TO-46 Package with Lens**

**Optical and Electrical Characteristics - Case Temperature 25°C**

Parameter		Symbol	Min	Typ	Max	Unit	Test Condition	
Emitting Mode	Fiber-coupled Power (Figures 1, 2, and 3) (Table 1)	$P_{\text{fiber}}$	80	120		$\mu\text{W}$	$I_F = 60 \text{ mA}$ (See notes 1 and 2)	Fiber 62.5/125 $\mu\text{m}$
	Rise and Fall Time (10-90%)	$t_r, t_f$		7	10	ns	$I_F = 60 \text{ mA}$ (no bias)	Graded Index
	Bandwidth (3 dB)	$f_c$		50		MHz	$I_F = 60 \text{ mA}$	NA = 0.275
	Peak Wavelength	$\lambda_p$	860	880	890	nm	$I_F = 60 \text{ mA}$	
	Spectral Width (FWHM)	$\Delta\lambda$		50		nm	$I_F = 60 \text{ mA}$	
	Forward Voltage (Figure 5)	$V_F$		1.9	2.1	V	$I_F = 60 \text{ mA}$	
Receiving Mode	Responsivity (Figures 6, 7, and 8) (Table 2)	R	0.10	0.15		A/W	$V_R = 1 \text{ V}$ $\lambda = 880 \text{ nm}$	Fiber 62.5/125 $\mu\text{m}$
	Rise and Fall Time (10-90%)	$t_r, t_f$		7	10	ns	$V_R = 1 \text{ V}$ $R_L = 50 \Omega$ (no bias)	Graded Index
	Bandwidth	$f_c$		50		MHz	$V_R = 1 \text{ V}$ $R_L = 50 \Omega$	NA = 0.275
	Capacitance	C		30		pF	$V_R = 1 \text{ V}, f = 1 \text{ MHz}$	
	Dark Current	$I_d$		10	50	nA	$V_R = 1 \text{ V}$	

Note 1: Measured at the exit of 100 meters of fiber.

Note 2: Rated Fiber coupled power apply only on the TO-46 package, for housing options fiber coupled power is typically 10% less.

**Absolute Maximum Ratings**

Parameter	Symbol	Limit
Storage Temperature	$T_{\text{stg}}$	-55 to +125°C
Operating Temperature (derating: Figure 4)	$T_{\text{op}}$	-55 to +125°C
Electrical Power Dissipation (derating: Figure 4)	$P_{\text{tot}}$	160 mW
Continuous Forward Current ( $f < 10 \text{ kHz}$ )	$I_F$	80 mA
Peak Forward Current (duty Cycle < 50%, $f > 1 \text{ MHz}$ )	$I_{\text{FRM}}$	130 mA
Reverse Voltage	$V_R$	2.0 V
Soldering Temperature (2 mm from the case for 10 sec.)	$T_{\text{sld}}$	260°C

**Thermal characteristics**

Parameter	Symbol	Min.	Typ.	Max.	Unit
Thermal Resistance - Infinite Heat Sing	$R_{thjc}$			200	$^{\circ}\text{C}/\text{W}$
Thermal Resistance - No Heat Sink	$R_{thja}$			500	$^{\circ}\text{C}/\text{W}$
Temperature Coefficient - Optical Power	$dP/dT_j$		-0.4		$\%/^{\circ}\text{C}$
Temperature Coefficient - Wavelength	$dI/dT_j$		0.3		$\text{nm}/^{\circ}\text{C}$
Temperature Coefficient - Responsivity	$dR/dT_j$		0.2		$\%/^{\circ}\text{C}$
Temperature Coefficient - Dark Current	$dL_d/dT_j$		2.5		$\%/^{\circ}\text{C}$

Typical Fiber-Coupled Power	
Core Diameter/Cladding Diameter Numerical Aperture	
50/125 $\mu\text{m}$ 0.20	62.5/125 $\mu\text{m}$ 0.275
55 $\mu\text{W}$	120 $\mu\text{W}$

**Table 1 - Typical Fiber-Coupled Power**

Typical Responsivity	
Core Diameter/Cladding Diameter Numerical Aperture	
50/125 $\mu\text{m}$ 0.20	62.5/125 $\mu\text{m}$ 0.275
0.15 A/W	0.15 A/W

**Table 2 - Typical Responsivity**

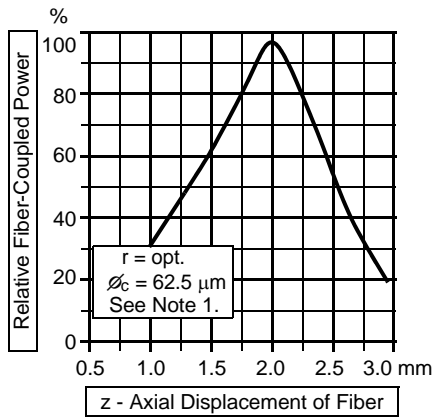


Figure 1 - z - Axial Displacement of Fiber

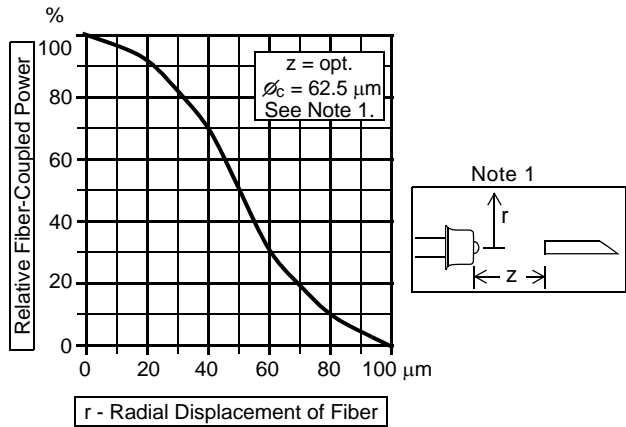


Figure 2 - r - Radial Displacement of Fiber

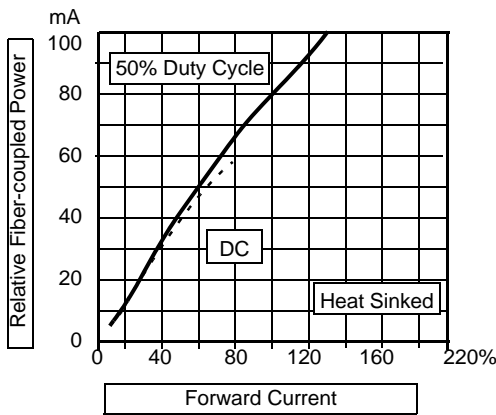
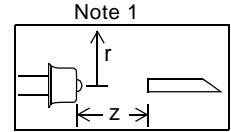


Figure 3 - Forward Current

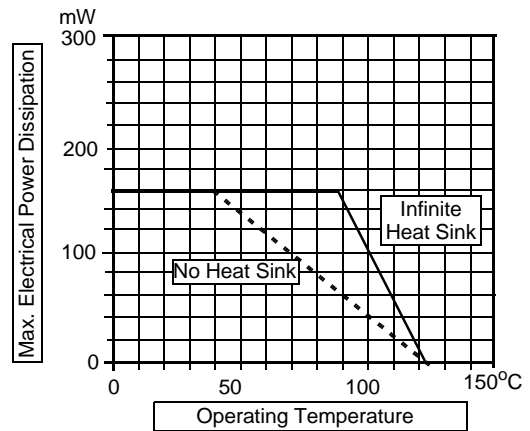


Figure 4 - Operating Temperature

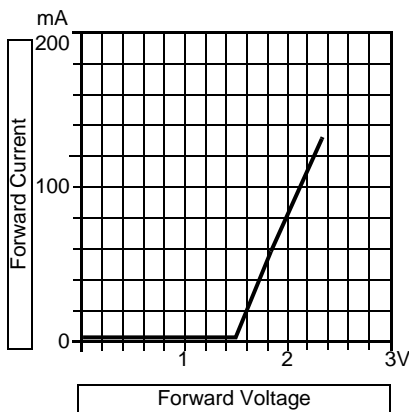


Figure 5 - Forward Voltage

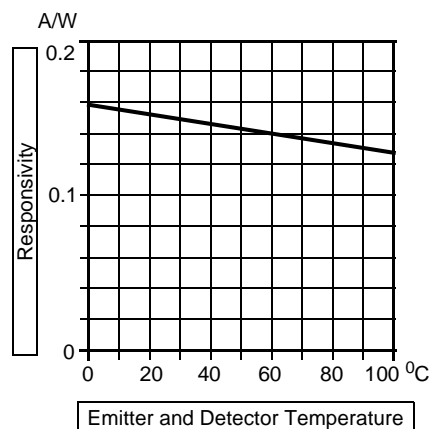


Figure 6 - Emitter and Detector Temperature

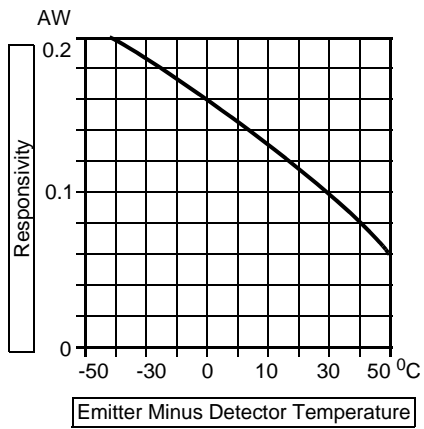


Figure 7 - Emitter Minus Detector Temperature

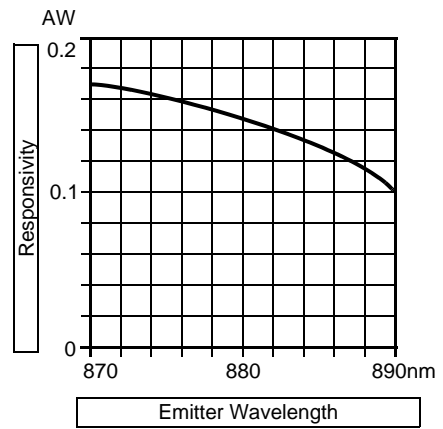
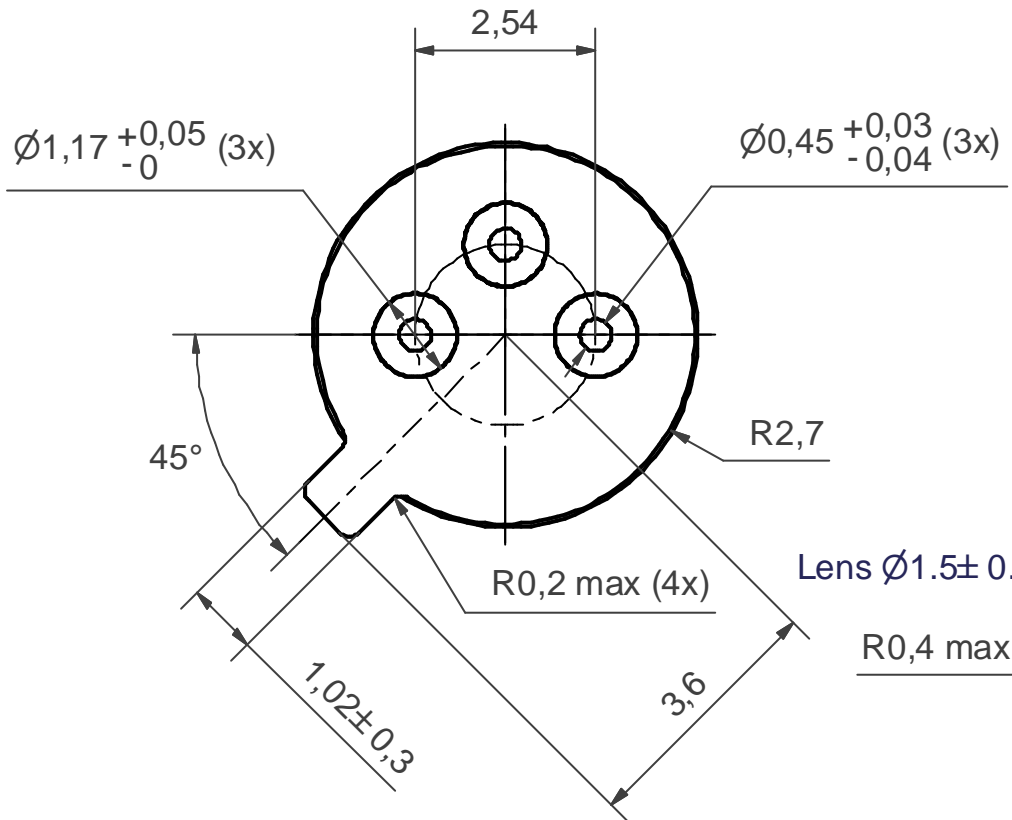
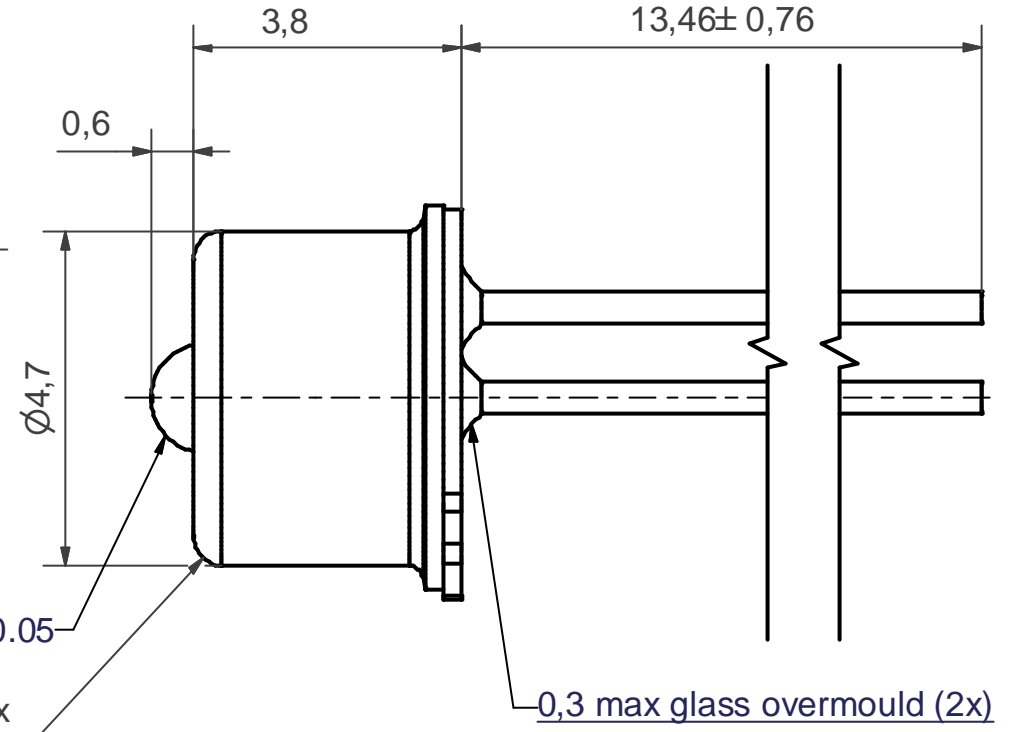


Figure 8 - Emitter Wavelength

# BOTTOM VIEW ( 10 : 1 )



# SIDE VIEW



- NOTES:-
1. All dimensions in mm.
  2. General tol. ISO-2768-mK.
  3. Coating: Case: Ni 1,5-2,5  $\mu\text{m}$ .  
Header: Ni 2-3  $\mu\text{m}$  / Au min 1,32  $\mu\text{m}$ .

© Zarlink Semiconductor 2002. All rights reserved.				
ISSUE	1			
ACN	JS004076R1A			
DATE	22-MAR-03			
APPRD.	TD/BE			



	Package code <b>TB</b>
Previous package codes	Drawing type Package drawing, TO-46 with lens
	Title <b>JS004076</b>



**For more information about all Zarlink products  
visit our Web Site at  
[www.zarlink.com](http://www.zarlink.com)**

Information relating to products and services furnished herein by Zarlink Semiconductor Inc. or its subsidiaries (collectively "Zarlink") is believed to be reliable. However, Zarlink assumes no liability for errors that may appear in this publication, or for liability otherwise arising from the application or use of any such information, product or service or for any infringement of patents or other intellectual property rights owned by third parties which may result from such application or use. Neither the supply of such information or purchase of product or service conveys any license, either express or implied, under patents or other intellectual property rights owned by Zarlink or licensed from third parties by Zarlink, whatsoever. Purchasers of products are also hereby notified that the use of product in certain ways or in combination with Zarlink, or non-Zarlink furnished goods or services may infringe patents or other intellectual property rights owned by Zarlink.

This publication is issued to provide information only and (unless agreed by Zarlink in writing) may not be used, applied or reproduced for any purpose nor form part of any order or contract nor to be regarded as a representation relating to the products or services concerned. The products, their specifications, services and other information appearing in this publication are subject to change by Zarlink without notice. No warranty or guarantee express or implied is made regarding the capability, performance or suitability of any product or service. Information concerning possible methods of use is provided as a guide only and does not constitute any guarantee that such methods of use will be satisfactory in a specific piece of equipment. It is the user's responsibility to fully determine the performance and suitability of any equipment using such information and to ensure that any publication or data used is up to date and has not been superseded. Manufacturing does not necessarily include testing of all functions or parameters. These products are not suitable for use in any medical products whose failure to perform may result in significant injury or death to the user. All products and materials are sold and services provided subject to Zarlink's conditions of sale which are available on request.

Purchase of Zarlink's I<sup>2</sup>C components conveys a licence under the Philips I<sup>2</sup>C Patent rights to use these components in and I<sup>2</sup>C System, provided that the system conforms to the I<sup>2</sup>C Standard Specification as defined by Philips.

Zarlink, ZL and the Zarlink Semiconductor logo are trademarks of Zarlink Semiconductor Inc.

Copyright Zarlink Semiconductor Inc. All Rights Reserved.

**TECHNICAL DOCUMENTATION - NOT FOR RESALE**

---